



ISPEC PUBLICATIONS - 2020©

MAS INTERNATIONAL EUROPEAN CONFERENCE ON MATHEMATICS- ENGINEERING-NATURAL & MEDICAL SCIENCES-XII

Proceeding Book



Editors:

Assist. Prof. Dr. Osman ÜLKİR
Tolga ÖZBİLEN

ISBN -978-625-7139-16-8

PROCEEDINGS BOOK

MAS EUROPEAN INTERNATIONAL CONGRESS ON MATHEMATICS-ENGINEERING-NATURAL & MEDICAL SCIENCES-XII

July 18-19, 2020

İZMİR, TÜRKİYE

Editors:

**Assist. Prof. Dr. Osman ÜLKİR
Tolga ÖZBİLEN**

ISPEC PUBLISHING

<https://www.masjournal.co.uk/>

E mail: mascongress@gmail.com

All rights of this book belong to ISPEC PUBLICATIONS

Authors are responsible both ethically and juridically

ISPEC Publications - 2020©

Issued: 18.07.2020

ISBN -978-625-7139-16-8

**MAS INTERNATIONAL EUROPEAN CONFERENCE ON
MATHEMATICS-ENGINEERING-NATURAL & MEDICAL SCIENCES-XII**

CONGRESS IDENTIFICATION

CONGRESS TITLE

MAS INTERNATIONAL EUROPEAN CONGRESS
ON MATHEMATICS-ENGINEERING-NATURAL & MEDICAL
SCIENCES-XII

DATE AND PLACE

JULY 18-19, 2020
IZMIR, TURKEY

ORGANIZATION

MAS International Journal of
Mathematics, Engineering, Natural & Medical Sciences

ORGANIZING COMMITTEE

Dr. Almaz AHMETOV- Sağlık Bakanlığı, Azerbaycan
Dr. Pembe İPEK AL - Karadeniz Teknik Üniversitesi
Dr. Hüseyin ERİŞ - Harran Üniversitesi
Dr. Kenes JUSIPOV - Kazak İletişim Akademisi
Dr. Zongxian FENG-Xi'an Jiatong University
Dr. Havva MEHTIEVA - Moscow State Hospital

COORDINATOR

Tolga ÖZBİLEN

INTERNATIONAL PARTICIPANTS

HAYAT AHAMAD- India
Arunkumar R- India
Balamurugan V- India
S. Arunkumar- India
Ryan Jay Bernales Gumban- PHILIPPINES
Malinao High School Extension - PHILIPPINES
Denis Abao Tan- PHILIPPINES

LANGUAGES

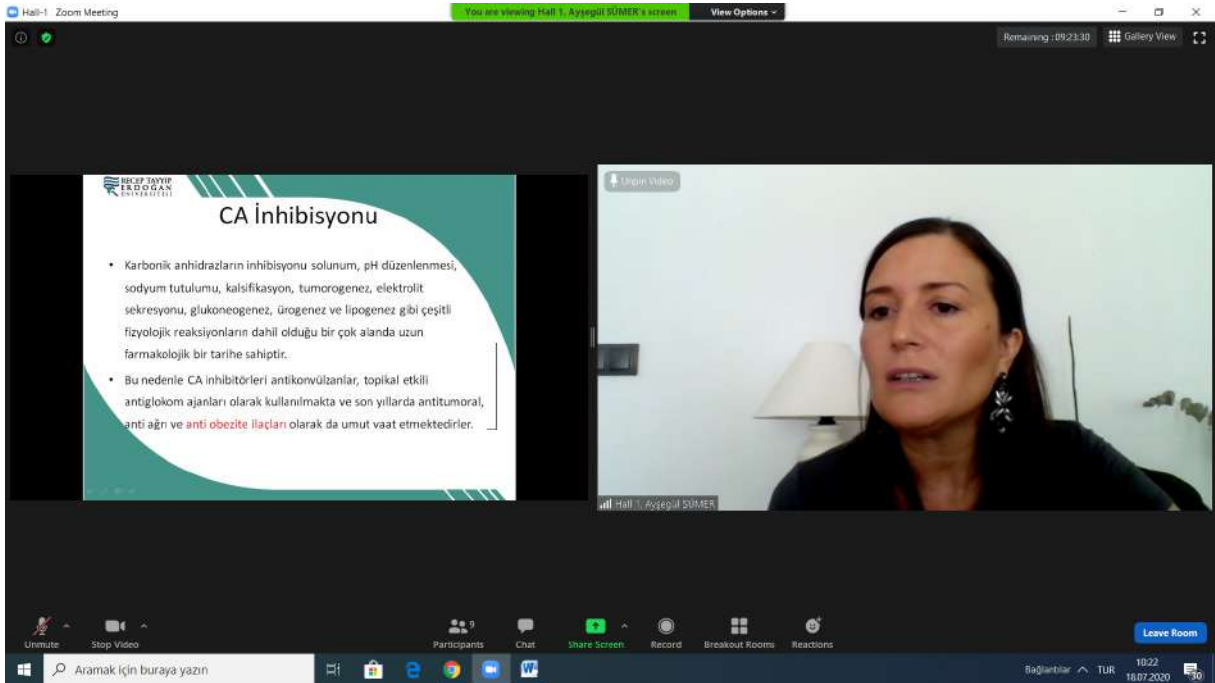
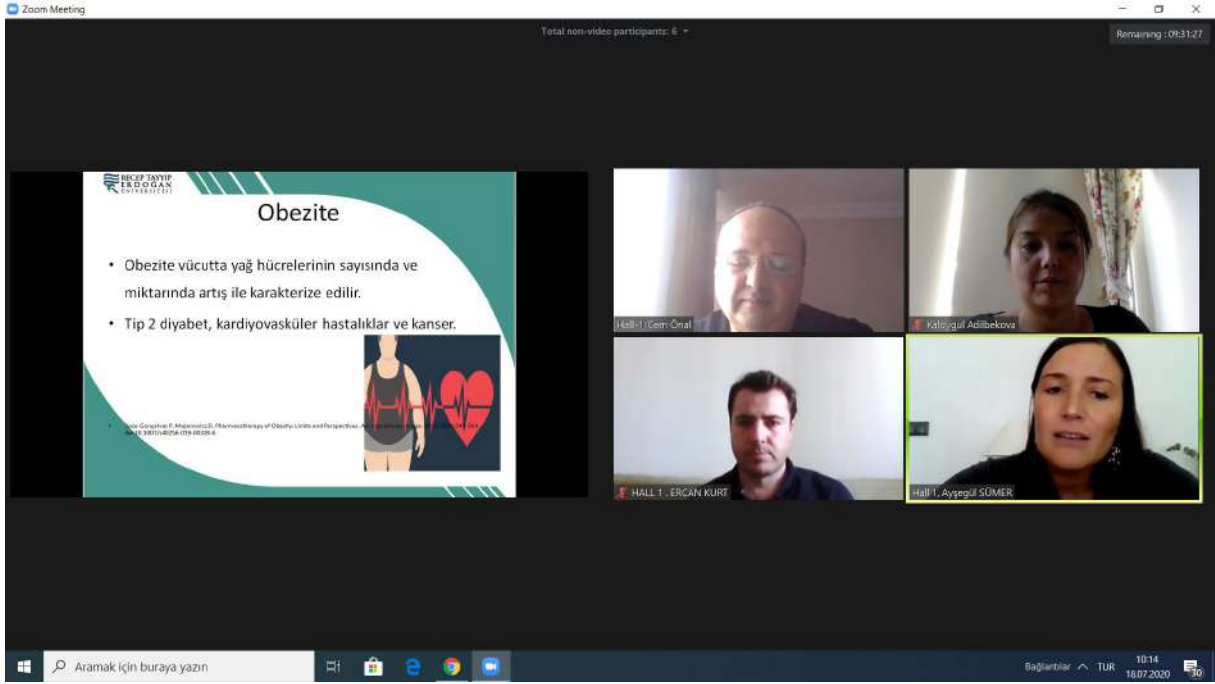
Turkish, English, Ukrainian, Russian

**MAS INTERNATIONAL EUROPEAN CONFERENCE ON
MATHEMATICS-ENGINEERING-NATURAL & MEDICAL SCIENCES-XII**

SCIENTIFIC & ADVISORY COMMITTEE

- Dr. İlker Bekir TOPÇU- Eskisehir Osmangazi University
Dr. Ahu PAKDEMİRLİ- Izmir Demokrasi University
Dr. Shaukat Aref Mohammed - University of Zakho
Dr. Kerem Asmaz Yıldız Technical University
Dr. Derviş ÖZTÜRK- Eskişehir Osmangazi University
Dr. Berkan ZÖHRA -Amasya University
Dr. Halil İbrahim BURGAN- Istanbul Kültür University
Dr. Almaz AHMEDOV - Bakü State University
Dr. Ahmet H. ERTAŞ- Bursa Technical University
Dr. BOUKHATEM Mohamed Nadjib- Université Saad Dahlab Blida
Dr. Funda EVCİLİ- Sivas Cumhuriyet University
Dr. Yasemin KÜÇÜKÖZKAN -Osmaniye State Hospital
Dr. A.S. KIDIRSAEV Makhambet U. - West Kazakhstan State University
Dr. Bahit KULBAEVA - S.Baybeshev Aktobe University
Dr. Bazarhan IMANGALIEVA - K.Zhubanov Aktobe State University
Dr. Ayşe KABATAŞ- Karadeniz Technical University
Dr. Derviş ÖZTÜRK-Eskisehir Osmangazi University
Dr. Bigamila TORSIKBAEVA - Astana Medical University
Dr. Botagul TURGUNBAEVA - Kazakh State Women's Pedagogy University
Dr. Cholpon TOKTOSUNOVA - Rasulbekov Kyrgyz Economy University
Dr. Deniz ATALAYER - Sabancı University
Dr. Sevim AKÇAĞLAR-Bursa Uludağ University
Dr. Şenay GÖRÜCÜ YILMAZ- Gaziantep University
Dr. Feda REHIMOV - Bakü State University
Dr. Hilale CAFEROVA - AMEA Institute of Management Systems
Dr. MEIXIA Huou - Capital Normal University
Dr. Kenes JUSUPOV - M. Tinisbaev Kazakh Communication Academy
Dr. Lille TANDIVALA- Shota Rustaveli State University
Dr. Guguli DUMBADZE- Batumi Shota Rustaveli State University
Dr. Maha Hamdan ALANAZI - Riyad King Abdulaziz Technology University
Dr. Maria LEONTIK - Macedonia Ishtib Gotse Delchev University
Dr. Mavlyanov ABDIGAPPAR - Kyrgyz Elaralık University
DR. Melahat GOKTAŞ - Van Yüzüncü Yıl University
Dr. Maira ESIMBOLOVA - Kazakhstan Narkhoz University
Dr. Nazim IBRAHİM - Skopje Cyril and Methodius University
Dr. N.N. KERMANOVA - Al - Farabi Kazakh National University
Dr. Sudabe SALİHOVA - Azerbaijanan State University
Dr. Rovshan ALIYEV - Bakü State University
Dr. Osman ERKMEN - Gaziantep University
Dr. Pembe İPEK AL - Karadeniz Technical University

PHOTO GALLERY



MAS INTERNATIONAL EUROPEAN CONFERENCE ON MATHEMATICS-ENGINEERING-NATURAL & MEDICAL SCIENCES-XII

Hall-1 Zoom Meeting

You are viewing Hall-1 Emmanuel LAMPTEY's screen

Total non-video participants: 1

Remaining : 06:42:12

Speaker View

Perceived Myths and Misconceptions about the Novel COVID 19 Outbreak: A research based on the Online Cross Sectional Survey of 1200 Respondents across West Africa.

PAU
Pan African University
Université panafricaine

Emmanuel Lamptey
Institute of Life and Earth Sciences (Including Health and Agriculture), Pan African University, University of Ibadan, Nigeria.
Emmanuelampzey88@gmail.com

Participants: 5

Unmute Stop Video

Chat

Share Screen

Record

Breakout Rooms

Reactions

Leave Room

Aramak için buraya yazın

Bağlantılar TUR 1303 18.07.2020

Participants list: Emmanuel LAMPTEY, Kalbygul Adilbekova, Unmute, Mikail ERDAŞ, Hall-1 Ozge YUKSEL DRH.

Hall-1 Zoom Meeting

You are viewing Hall-1 Emmanuel LAMPTEY's screen

Remaining : 06:42:00

Gallery View

Background

- The outbreak of the novel coronavirus (Covid-19), first reported in Wuhan China, has now spread globally, becoming a matter of international concern.
- The World Health Organization officially changed its classification of the situation from a Public Health Emergency of International Concern to a Pandemic on March 11, 2020.
- As the COVID-19 continues to spread rapidly, so do the headline news and a host of misconceptions surrounding the outbreak.
- This paper investigated and highlighted some of the most common misinformation surrounding the outbreak of the COVID-19.

Unmute Stop Video

Participants: 6

Chat

Share Screen

Record

Breakout Rooms

Reactions

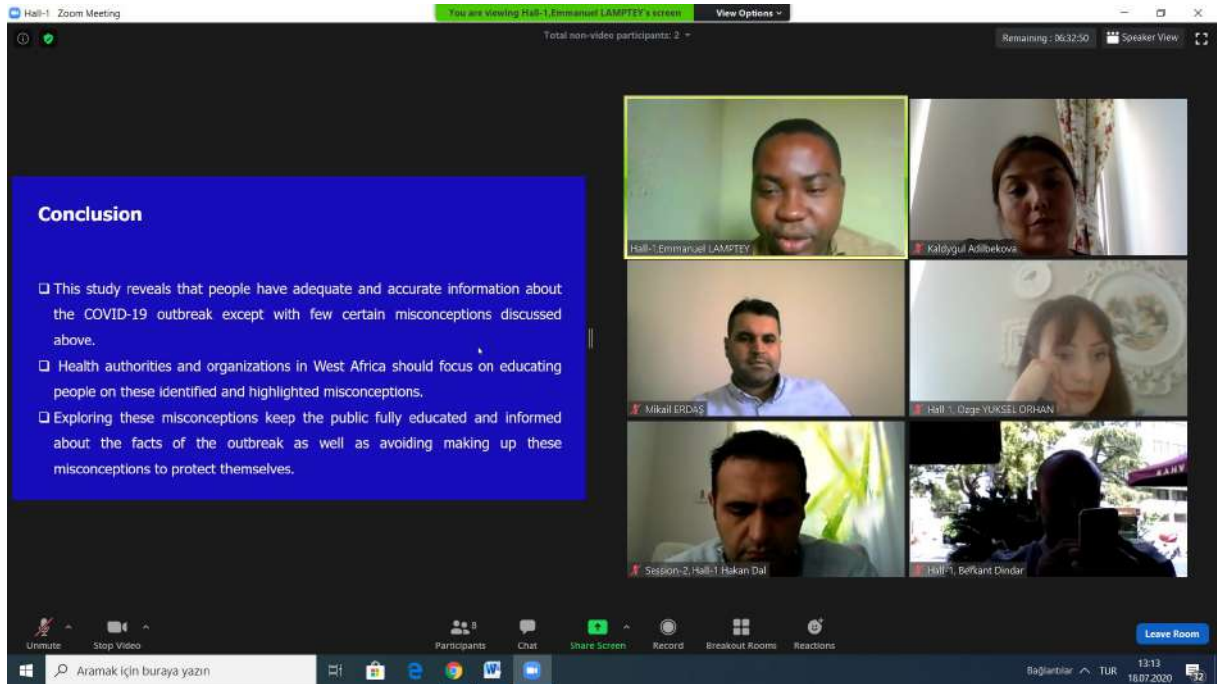
Leave Room

Aramak için buraya yazın

Bağlantılar TUR 1304 18.07.2020

Participants list: Unmute Video, Hall-1 Emmanuel LAMPTEY

MAS INTERNATIONAL EUROPEAN CONFERENCE ON MATHEMATICS-ENGINEERING-NATURAL & MEDICAL SCIENCES-XII



All photos taken at the event has been published in **IKSAD CONGRESS SOCIETY Facebook Group**// to get the pictures, please, visit the group and become a member...



MAS 12th INTERNATIONAL EUROPEAN CONFERENCE ON APPLIED SCIENCES

July 18-19, 2020

İZMİR, TURKEY

Conference venue:

SWISS OTEL, İzmir

CONGRESS PROGRAM

Online (with Video Conference) Presentation

Participating Countries:

Turkey, Azerbaijan, India, Pakistan, Indonesia, Nigeria, Malaysia, Afghanistan

IMPORTANT, PLEASE READ CAREFULLY

- To be able to make a meeting online, login via <https://zoom.us/join> site, enter ID instead of “Meeting ID or Personal Link Name” and solidify the session.
- The Zoom application is free and no need to create an account.
- The Zoom application can be used without registration.
- The application works on tablets, phones and PCs.
- Moderator - responsible for the presentation and scientific discussion (question-answer) section of the session.

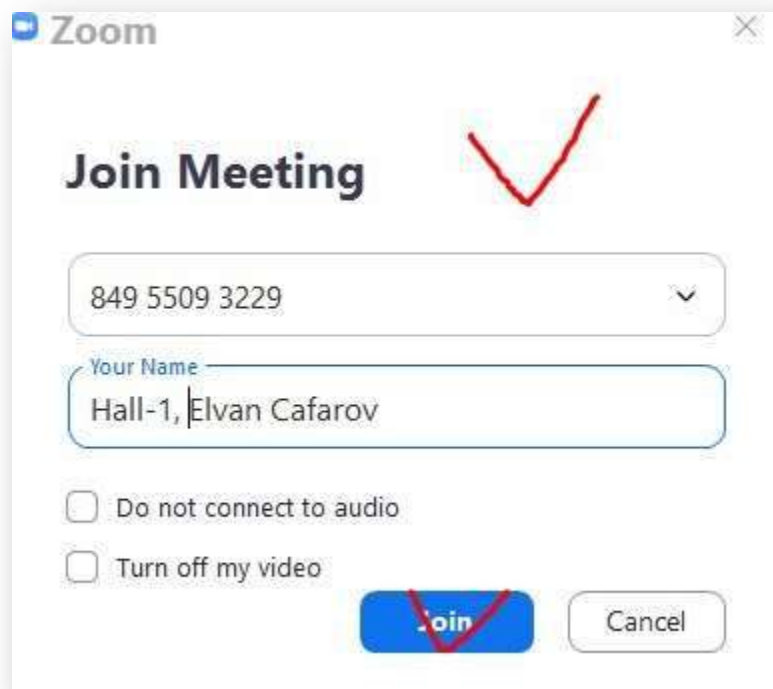
Points to Take into Consideration - TECHNICAL INFORMATION

- ❖ Make sure your computer has a microphone and is working.
- ❖ You should be able to use screen sharing feature in Zoom.
- Attendance certificates will be sent to you as pdf at the end of the congress.
- Requests such as change of place and time will not be taken into consideration in the congress program.
- If you think there are any deficiencies / spelling mistakes in the program, please inform by e-mail until July 12, 2020 (17:00) at the latest.
- **(All speakers required to be connected to the session 15 min before the session starts)**
- Moderator is responsible for ensuring the smooth running of the presentation, managing the group discussion and dynamics.
- **Before you login to Zoom please indicate your name_surname and HALL number, exp. Hall 1, Alpaslan BOZKURT**

Before you login to Zoom please indicate your name_surname and HALL number, exp. Hall-1, Elvan Cafarov



A screenshot of the Zoom 'Join Meeting' dialog box. The title bar shows the Zoom logo and a close button. The main heading is 'Join Meeting'. There are two input fields: the first is labeled 'Enter meeting ID or personal link name' and has a red checkmark to its right; the second is labeled 'Enter your name' and also has a red checkmark to its right. Below these fields are two checkboxes: 'Do not connect to audio' and 'Turn off my video', both of which are unchecked. At the bottom right, there are two buttons: 'Join' and 'Cancel'.



A screenshot of the Zoom 'Join Meeting' dialog box, similar to the one above but with the fields filled. The title bar shows the Zoom logo and a close button. The main heading is 'Join Meeting' with a large red checkmark to its right. The first input field contains the meeting ID '849 5509 3229' and has a dropdown arrow on the right. The second input field is labeled 'Your Name' and contains the text 'Hall-1, Elvan Cafarov'. Below these fields are two checkboxes: 'Do not connect to audio' and 'Turn off my video', both of which are unchecked. At the bottom right, there are two buttons: 'Join' (highlighted in blue with a red checkmark over it) and 'Cancel'.

18.07.2020
SATURDAY/ 10:00-12:30

(All speakers required to be connected to the session 15 min before the session starts)
Moderator is responsible for ensuring the smooth running of the presentation, managing the group discussion and dynamics.

Before you login to Zoom please indicate your name_surname and hall number,

exp. Hall 1, Alpaslan BOZKURT

SESSION-1, HALL-1 /

MODERATOR: [Dr. Cem ÖNAL](#)

Meeting ID: 861 8557 1517 / Password: 930219



AUTHOR	ABSTRACT TITLE
Dr. Cem ÖNAL	ATOMEKSETİNİN FARMASÖTİK PREPARATLARDA 7,7,8,8,-TETRASIYONOKİNODİMETAN BELİRTECİ KULLANILARAK SPEKTROFOTOMETRİK ANALİZİ
AYŞEGÜL SÜMER	CARBONIC ANHYDRASE INHIBITORS AS ANTI-OBESITY DRUG
Sibel Demiral Sezer	GERİATRİK DİYABETİK HASTALARDA İLAÇ TEDAVİSİNİN GERİYE DÖNÜK DEĞERLENDİRİLMESİ
Öğr. Grv. Hatice BİLGİLİ Prof. Dr. Teymuraz ABBASOV	MANYETİK İLAÇ HEDEFLEME UYGULAMALARINDA KAN REOLOJİK AKIŞ MODELLERİNİN ANALİZİ
Öğr. Grv. Hatice BİLGİLİ Prof. Dr. Teymuraz ABBASOV	MANYETİK İLAÇ HEDEFLEME UYGULAMALARINDA PARÇACIKLARA ETKİYEN MANYETİK ALANIN ANALİZİ
Zekiye ALTAN Yunus SAHİN Emel SAHİN Mehmet SAHİN	TARGET GENES OF CDKN2A IN COLORECTAL CANCER
Yunus SAHİN Zekiye ALTAN Mehmet SAHİN Emel SAHİN	ROLE OF RB AND ITS TARGET GENES IN PROSTATE CANCER
Fatma Ceren KIRMIZITAŞ Nelisa TÜRKÖĞLU LAÇİN Murat DEMİRBİLEK	PEGFP-N1-IL6 PLAZMİDİNİN KATI LİPİD NANOPARTİKÜL İLE TRANSFEKSİYON VERİMİNİN DEĞERLENDİRİLMESİ
Dr.Veyssel KAPLANOĞLU Doç. Dr.Hatice KAPLANOĞLU	SUBKORAKOİD SIKIŞMADA, KORAKOİD MORFOLOJİSİNİN, KORAKOHUMERAL MESAFENİN, KORAKOĞLENOİD AÇININ VE KORAKOHUMERAL AÇININ MRG İLE DEĞERLENDİRİLMESİ
Uzm. Dr. Ercan KURT Uzm. Dr. Semih CANPOLAT	KULAK ARKASINDA SERT KİTLESİ-TERATOM OLAN OLGU:1 VAKANIN OLGU SUNUMU

18.07.2020
SATURDAY/ 10:00-12:30

(All speakers required to be connected to the session 15 min before the session starts)
Moderator is responsible for ensuring the smooth running of the presentation, managing the group discussion and dynamics.

Before you login to Zoom please indicate your name_surname and hall number,
exp. Hall 1, Alpaslan BOZKURT

SESSION-1, HALL-2 /

MODERATOR: Dr. Recep Sinan ARSLAN

Meeting ID: 861 8557 1517 / Password: 930219



AUTHOR	ABSTRACT TITLE
Dr. Öğr. Üyesi Osman ÜLKİR	MEMS TABANLI MİKRO KİRİŞ TASARIMI VE YER DEĞİŞTİRME ANALİZİ
Ryan Jay Bernales GUMBAN Denis Abao TAN	STUDENTS' MATHEMATICS PERFORMANCE, ENGAGEMENT AND INFORMATION AND COMMUNICATION TECHNOLOGY COMPETENCIES IN A FLIPPED CLASSROOM ENVIRONMENT
Mushtaq. A. LONE Shakeel. A. MIR Omar FAYAZ Tabasum MUSHTAQ	OPTIMAL ALLOCATION USING FUZZY METHOD FOR CONVERSED FRACTIONAL GOAL PROGRAMMING
Dr. Öğr. Üyesi Osman ÜLKİR	ELEKTROSTATİK KONTROLLÜ MİKRO-AYNANIN YER DEĞİŞTİRMESİNİ ANALİZ ETMEK İÇİN BİR COMSOL MODELİ
Recep Sinan ARSLAN Ahmet Haşim YURTTAKAL	K-NEAREST NEIGHBOUR CLASSIFIER USAGE FOR PERMISSION BASED MALWARE DETECTION IN ANDROID
Gamze Ayyıldız DOĞANSOY Mehmet ACI	DERİN ÖĞRENME YÖNTEMLERİ KULLANILARAK ZAMAN SERİSİ İLE ÜRÜN TALEP TAHMİNİ
Gamze Ayyıldız DOĞANSOY Mehmet ACI Ali Osman DOĞANSOY	YAPAY SİNİR AĞLARI MODELLERİ İLE ÜRÜN SATIŞ TAHMİNİ
Bekir AKKUŞ Mehmet Melih İNAL	ÜLKELERİN MİLLİ GÜÇ UNSURUNUN(MGU) YAPAY ZEKÂ TEKNİKLERİ İLE BELİRLENMESİ VE KARŞILAŞTIRILMASI
Ülku ERİŞOĞLU İlkay ALTINDAĞ Tayfun SERVİ	GELİŞMİŞLİK GÖSTERGELERİ İLE TÜRKİYE'DEKİ İLLERİN İSTATİSTİKSEL KARŞILAŞTIRILMASI
İlkay ALTINDAĞ Semih ÜZÜMCÜ	YAPISAL EŞİTLİK MODELLEMESİ: TEKNOLOJİ KABUL MODELİ UYGULAMASI
Yasemin SERHATLI	HAZIR GİYİM SEKTÖRÜ DENİM (JEAN) KATEGORİSİNDE ÜRÜN YAŞAM DÖNGÜSÜNÜ KAPSAYAN TÜM SÜREÇLERDE UYGULANABİLİR YEŞİL İŞ STRATEJİLERİ

18.07.2020
SATURDAY/ 13:00-15:30

(All speakers required to be connected to the session 15 min before the session starts)
Moderator is responsible for ensuring the smooth running of the presentation, managing the group discussion and dynamics.

Before you login to Zoom please indicate your name_surname and hall number,

exp. Hall 1, Alpaslan BOZKURT

SESSION-2, HALL-1 /

MODERATOR: [Prof. Dr. Şebnem ASLAN](#)

Meeting ID: 861 8557 1517 / Password: 930219



AUTHOR	ABSTRACT TITLE
Prof. Dr. Şebnem ASLAN Dr. Öğr. Üyesi Demet AKARÇAY ULUTAŞ	İNSAN KAYNAKLARI YÖNETİMİ BAKIŞ AÇISIYLA SAĞLIK ÇALIŞANLARINDA ALGILANAN İŞ KONTROLÜ
Prof. Dr. Şebnem ASLAN Dr. Öğr. Üyesi Demet AKARÇAY ULUTAŞ	ÖRGÜTSEL ERDEMLİLİK ÖLÇEĞİNİN TÜRKÇEYE UYARLANMASI: GEÇERLİLİK VE GÜVENİRLİK ÇALIŞMASI
Emmanuel LAMPTEY	Perceived Myths and Misconceptions about the Novel COVID 19 Outbreak: A research based on the Online Cross Sectional Survey of 1200 Respondents across West Africa.
Mikail ERDAŞ	METAL İMALAT SEKTÖRÜNDE İŞ SAĞLIĞI VE GÜVENLİĞİ RİSKLERİNİN DEĞERLENDİRİLMESİ
Dr. Viney DHIMAN Dr. Anupama BHARTI	The Role of “Medical Social Worker” in Cardio Vascular Thoracic Surgery
Md.Rezwanul Haque CHOWDHURY Dr. Mushtary Momotuj MIMI Miratul TAYEBA BRINTA MD. INZAMAM-UL-ISLAM	Knowledge And Awareness Among The Medical Students About Receiving HBV Vaccine Along With EPI
Uzm. Dr. Burcu KORKUT	COVID-19 SALGINININ YAŞLILARIN RUH SAĞLIĞI ÜZERİNDEKİ ETKİSİ
Hakan DAL Esra Sultan KARABULUT KEKLİK	COVID-19 PANDEMİSİNDE YOĞUN BAKIM ÇALIŞANLARININ ANKSİYETE DÜZEYİNİN DEĞERLENDİRİLMESİ
Hayat AHAMAD	MUSLIM WOMEN IN INDIAN SOCIETY: THEIR CRITICAL ANALYSIS
BALAMURUGAN V ARUNKUMAR R A. ARAVINDH	Integrating Gender and Nutrition within Agricultural Extension and Advisory Services
Özlem SARAL Ayten YILMAZ YAVUZ	ÜNİVERSİTE ÖĞRENCİLERİNİN ARI ÜRÜNLERİNİ TANIMA DURUMU VE KULLANIM ALIŞKANLIKLARININ BELİRLENMESİ

18.07.2020
SATURDAY/ 13:00-16:00

(All speakers required to be connected to the session 15 min before the session starts)
Moderator is responsible for ensuring the smooth running of the presentation, managing the group discussion and dynamics.

Before you login to Zoom please indicate your name_surname and hall number,

exp. Hall 1, Alpaslan BOZKURT

SESSION-2, HALL-2

MODERATOR: Dr. Öğr. Üyesi Emin BOZKURT

Meeting ID: 861 8557 1517 / Password: 930219



AUTHOR	ABSTRACT TITLE
Halil BAKAL	OSMANİYE-2005 x NC-7 ÇEŞİTLERİNİN MELEZLEMESİNDEN ELDE EDİLEN İLERİ KADEMEDEKİ YERFİSTİĞİ HATLARININ (F6) ANA ÜRÜN KOŞULLARINDAKİ VERİM POTANSİYELLERİ İLE ÖNEMLİ TARIMSAL VE KALİTE ÖZELLİKLERİN BELİRLENMESİ
Aravindh Arunkumar V. Balamurugan	Nanotechnology in Agriculture
Arunkumar R Balamurugan V S. Arunkumar	JOB OF MARINE MICROALGAE IN CROP PROTECTION
Res. Scholar Anupma KUMARI	AQUACULTURE AS EMERGING INDUSTRY IN SUSTAINABLE DEVELOPMENT IN SUNDERBAN
Res. Scholar Anupma KUMARI	THE MANGROOVES FOREST ARE IN A WAY TO DEGRADATION DUE TO SALINITY
Res. Scholar Anupma KUMARI	CONSERVATION OF MANGROOVES
Res. Scholar Anupma KUMARI	SHRIMP CULTURE
Dr. Öğr. Üyesi Emin BOZKURT	SON 10 YILDA TÜRKİYE SÜRÜNGENLERİNDE GERÇEKLEŞTİRİLEN TAKSONOMİK DEĞİŞİKLİKLER VE YENİ TAKSONLAR
Dr. Öğr. Üyesi Bilge Kaan TEKELİOĞLU	YARASA KÖKENLİ ZOONUZ ENFEKSİYONLAR VE ZOONUZLAR İLE MÜCADELEDE DOĞAL YAŞAM ALANLARININ KORUNMASININ ÖNEMİ
Asist.Prof. Dr. Bilge Kaan TEKELİOĞLU Prof.Dr. Ömer AKAY	EQUINE VIRAL INFECTIONS, EHV-1 and EHV-4 DNA DETECTION in RACE HORSES NEONATAL DEATH FOALS AND NASAL SWABS, IN TURKEY.
Kiran Ghimire Menuka Maharjan	IMPACT OF AGROFORESTRY INTERVENTION ON SOIL ORGANIC CARBON AND NUTRIENTS, STATUS: A CASE OF BHATTEDANDA, LALITPUR, NEPAL
Öğr. Gör. Dr. Serhat ENGİN Doç.Dr. Şule GÜRKAN Prof.Dr. Ertan TAŞKAVAK	EGE DENİZİ'DE DAĞILIM GÖSTEREN DİL BALIKARINDA (Solea solea L. 1758) KARACİĞER DOKUSUNDA MEYDANA GELEN FARKLILIKLARIN AYLIK DEĞERLENDİRMESİ
Mir Reyaz Hassan Masoodi Mubashir Hussain	Evaluation of Anti-inflammatory Activity of Different Extracts of Plectranthus rugosus

18.07.2020
SATURDAY/ 16:00-18:00

(All speakers required to be connected to the session 15 min before the session starts)
Moderator is responsible for ensuring the smooth running of the presentation, managing the group discussion and dynamics.

Before you login to Zoom please indicate your name_surname and hall number,
exp. Hall 1, Alpaslan BOZKURT



SESSION-3, HALL-1 /

MODERATOR: [Dr. Öğr. Ü. Mert TOLON](#)

Meeting ID: 861 8557 1517 / Password: 930219

AUTHOR	ABSTRACT TITLE
Dr. Öğr. Ü. Mert TOLON İnş. Müh. Ersin YILDIZ	GELENEKSEL ŞEV STABİLİTESİ ANALİZ YÖNTEMLERİNE DAYALI YENİLİKÇİ SAYISAL YAKLAŞIMLAR: ÖN ÇALIŞMA BULGULARI
Rajeshkumar Selvaraj Mageshwaran Subramani Manoharan Ramamoorthy	Vibration analysis of composite sandwich shell panel with MR elastomer core
Sevin UZER Dr. Öğr. Üyesi Sedat YALÇINKAYA Arş. Gör. Mustafa CEYLAN	KATI ATIK TOPLAMA YERLERİNİN TAYİNİ İÇİN COĞRAFİ BİLGİ SİSTEMLERİ TABANLI BİR YÖNTEM GELİŞTİRİLMESİ
Arş. Gör. Mustafa CEYLAN	TERS MESAFE AĞIRLIKLI ENTERPOLASYON YÖNTEMİ (IDW) KULLANILARAK TÜRKİYE SICAKLIK VE YAĞIŞ HARİTALARININ OLUŞTURULMASI VE ULUSAL COĞRAFİ BİLGİ PLATFORMUNA ENTEGRASYONU
Arş. Gör. Mustafa CEYLAN	UZAKTAN ALGILAMA VE COĞRAFİ BİLGİ SİSTEMLERİ (CBS) İLE YAYLA ALANLARINDAKİ DEĞİŞİMİN TESPİTİ: GÜMÜŞHANE İLİ BEZENDİ YAYLASI ÖRNEĞİ
Nuri Yönet Naime Filiz Özdil	TEK GİRİŞ ÇİFT ÇIKIŞLI T BORU SİSTEMİ İÇERİSİNDE AKIŞKANIN ISI TRANSFERİNİN ARAŞTIRILMASI
Nuri Yönet Naime Filiz Özdil	MOTORİN VE AKARYAKIT İŞARETLEYİCİ ÜRÜNÜN MİKSERSİZ BORU HATTINDA VE TANK İÇERİSİNDE KARIŞIMININ İNCELENMESİ
Fırat Baş Ali Kibar Murat Hoşöz	ISI POMPASI VE DİĞER SİSTEMLER ARASINDAKİ ENERJİ VERİMLİLİĞİNİN KARŞILAŞTIRILMASI HAKKINDA BİR İNCELEME ÇALIŞMASI
Sani Inusa Milala Dr. Bala Ishiyaku Bashir Ali Abubakar Tafawa	Digitalization of land records through Geographic Information System: An imperative for Reliable Efficient and Effective land Administration in Borno State, Nigeria
Dr. Öğr. ÜYESİ Berkant DİNDAR Arş. Gör. İnan AĞIR	ÇOĞUL DUVARLI KARBON NANOTÜP KATKILI TEK YÖNLÜ E-CAM/EPOKSİ KOMPOZİTLERİN BURKULMA DAVRANIŞININ ARAŞTIRILMASI

18.07.2020
SATURDAY/ 16:00-18:00

(All speakers required to be connected to the session 15 min before the session starts)
Moderator is responsible for ensuring the smooth running of the presentation, managing the group discussion and dynamics.

Before you login to Zoom please indicate your name_surname and hall number,

exp. Hall 1, Alpaslan BOZKURT

SESSION-3, HALL-2

MODERATOR: [Dr. Özge YÜKSEL ORHAN](#)

Meeting ID: 861 8557 1517 / Password: 930219



AUTHOR	ABSTRACT TITLE
Osman Çamlıbel	ZEOLİT KATKILI ORTA YOĞUNLUKLU LEVHALARIN (MDF) MEKANİK ÖZELLİKLERİ
Mohamed El Malki	ACOUSTIC WAVE PROPAGATION IN TWO PERIODIC EXPANSION CHAMBERS
Parth Prajapti Vishal Dhakane Manish Kumar	ECONOMICS OF EFFICIENT ELECTRICITY GENERATION AND DESALINATION BY SMALL MODULAR REACTOR
N. Akhtar N. Pradhan G.K. Barik S. Chatterjee S. Ghosh A. Saha P. Satpati A. Bhattacharyya M. K. Santra D. Manna	Quinine-Based Semisynthetic Ion Transporters with Potential Antiproliferative Activities
Waheed Abiodun Adeosun Prof. Abdullah M. Asiri Prof. Hadi M. Marwani	Electrocatalytic reduction of 2, 6-dinitrophenol on polycongo red decorated glassy carbon electrode for electrochemical sensing application
Ebru DEVECİ Fatih ÇAYAN Gülşen TEL-ÇAYAN Mehmet Emin DURU	HYMENOCHAETE RUBIGINOSA MANTARININ FENOLİK BİLEŞİKLERİ VE ANTİOKSİDAN AKTİVİTESİ
Dr. Özge YÜKSEL ORHAN	SYNERGISTIC EFFECT OF STERICALLY HINDERED AMINE BLENDS ON CO ₂ ABSORPTION KINETICS
Dr. Öğr. Üyesi Gülnur Önsal Dr. Öğr. Üyesi Pelin Yıldırım Taşer Dr. Öğr. Üyesi Onur Uğurlu	FTALOSİYANİN KATKILI NEMATİK SIVI KRİSTAL KOMPOZİT YAPILARIN ÖZELLİKLERİNİN ARAŞTIRILMASI VE MAKİNE ÖĞRENME Sİ ALGORİTMALARI KULLANILARAK DİELEKTRİK SABİTİNİN TAHMİNİ
Dr. Öğr. Üy. Oğuz Emrah TURGUT Dr. Mert Sinan TURGUT	PROPAN (R290) SOĞUTUCU AKIŞKANI İÇİN KAYNAMALI AKIŞ KORELASYONLARININ TAHMİN KESİNLİĞİ DEĞERLENDİRİLMESİ

18.07.2020
SATURDAY/ 16:00-18:00

(All speakers required to be connected to the session 15 min before the session starts)
Moderator is responsible for ensuring the smooth running of the presentation, managing the group discussion and dynamics.

Before you login to Zoom please indicate your name_surname and hall number,

exp. Hall 1, Alpaslan BOZKURT

SESSION-3, HALL-3

MODERATOR: [Dr. Yar Zar Chit](#)

Meeting ID: 861 8557 1517 / Password: 930219



AUTHOR	ABSTRACT TITLE
Mohammed Tihth Aleksi V. Ponaryadov Jamal-Eldin F. M. Ibrahim Emese Kurovics Elena L. Kotova László A. Gömze	Effect of temperature on the structural properties of barium titanate nanopowders synthesis via sol-gel process
M. Noviansyah Aridito Syaiful Mansyur Syamsul Ma'arif	Characteristics of Bio-charcoal and Liquid Smoke from Tea Leaf Waste Using Rocket Stove Pyrolysis with Double Condensers
Kehinde Caleb Omidoyin	Microbial biofertilizer as an eco-friendly alternative for increasing crop productivity among smallholder farmers in Nigeria
C. Bourahla F. Boukabrine	Study ab initio of electronic and optical properties of CsMoSe by the FP-LAPW method
C. Bourahla F. Boukabrine	Electronic and optical properties study ab initio of CsMoSe by the FP-LAPW method
ANAMIKA SINGH	GRAPHENE-A 2D WONDER
Dr. Yar Zar Chit May Hnit	SELF PERCEIVED ASSESSMENT SKILLS OF MATHEMATICS TEACHERS IN BASIC EDUCATION SCHOOLS
R JALAGANDESHWARAN, DR.J.MEENAMBIGAI, M.ARAVINDHAN	PROMOION OF ORGANIC FARMING FOR SUSTAINABLE DEVELOPMENT IN AGRICULTURE
Dr.A.SARANYA	AN EFFICIENT TUMOR DETECTION AND 3D MODELING BASED ON ORGANISATION MAP
M.ARAVINDHAN SINDHUJA.R JALAGANDESHWARAN.R	AGRIPRENEURSHIP - A WAY TO ERADICATE UNEMPLOYMENT AMONG RURAL YOUTH
Rafiq Lone	Dimensions of relationship marketing in context of mobile telecom industry in India –a study of Jammu & Kashmir'
Sanjeev Kumar Gupta Yash Paul Sushmita Thakur Kewal Kumar	Ethno-medicinal Plants Used by Bakerwal Tribe in the Siwalik Hills of Ramkote, Jammu and Kashmir, India
Arunkumar S Arunkumar R A. Aravindh	LOSSES CAUSED BY STORAGE AND OTHER ECONOMIC PESTS IN WAREHOUSES

CONTENTS

CONGRESS ID	I
SCIENTIFIC COMMITTEE	II
PHOTO GALLERY	III
PROGRAM	IV
CONTENTS	V

Author	Title	No
Cem ÖNAL	ATOMEKSETİNİN FARMASÖTİK PREPARATLARDA 7,7,8,8,- TETRASIYONOKİNODİMETAN BELİRTECİ KULLANILARAK SPEKTROFOTOMETRİK ANALİZİ	1
Ayşegül SÜMER	CARBONIC ANHYDRASE INHIBITORS AS ANTIOBESITY DRUG	2
Sibel Demiral SEZER	GERİATRİK DİYABETİK HASTALARDA İLAÇ TEDAVİSİNİN GERİYE DÖNÜK DEĞERLENDİRİLMESİ	3
Hatice BİLGİLİ Teymuraz ABBASOV	MANYETİK İLAÇ HEDEFLEME UYGULAMALARINDA KAN REOLOJİK AKIŞ MODELLERİNİN ANALİZİ	5
Hatice BİLGİLİ Teymuraz ABBASOV	MANYETİK İLAÇ HEDEFLEME UYGULAMALARINDA PARÇACIKLARA ETKİYEN MANYETİK ALANIN ANALİZİ	7
Zekiye ALTAN Yunus SAHİN Emel SAHİN Mehmet SAHİN	TARGET GENES OF CDKN2A IN COLORECTAL CANCER	9
Yunus SAHİN Zekiye ALTAN Mehmet SAHİN Emel SAHİN	ROLE OF RB AND ITS TARGET GENES IN PROSTATE CANCER	10
Ryan Jay Bernales Gumban, Denis Abao Tan	STUDENTS' MATHEMATICS PERFORMANCE, ENGAGEMENT AND INFORMATION AND COMMUNICATION TECHNOLOGY COMPETENCIES IN A FLIPPED CLASSROOM ENVIRONMENT	29

**MAS INTERNATIONAL EUROPEAN CONFERENCE ON
MATHEMATICS-ENGINEERING-NATURAL & MEDICAL SCIENCES-XII**

Mushtaq. A. Lone, Shakeel. A. Mir, Omar Fayaz, Tabasum Mushtaq	OPTIMAL ALLOCATION USING FUZZY METHOD FOR CONVERSED FRACTIONAL GOAL PROGRAMMING	42
Recep Sinan ARSLAN, Ahmet Haşim Yurtakal	K-NEAREST NEIGHBOUR CLASSIFIER USAGE FOR PERMISSION BASED MALWARE DETECTION IN ANDROID	50
Gamze Ayyıldız DOĞANSOY Mehmet ACI	DERİN ÖĞRENME YÖNTEMLERİ KULLANILARAK ZAMAN SERİSİ İLE ÜRÜN TALEP TAHMİNİ	51
Gamze Ayyıldız DOĞANSOY Mehmet ACI Ali Osman DOĞANSOY	YAPAY SİNİR AĞLARI MODELLERİ İLE ÜRÜN SATIŞ TAHMİNİ	65
Bekir AKKUŞ Mehmet Melih İNAL	ÜLKELERİN MİLLİ GÜÇ UNSURUNUN(MGU) YAPAY ZEKÂ TEKNİKLERİ İLE BELİRLENMESİ VE KARŞILAŞTIRILMASI	73
Mustafa CEYLAN	TERS MESAFE AĞIRLIKLI ENTERPOLASYON YÖNTEMİ (IDW) KULLANILARAK TÜRKİYE SICAKLIK VE YAĞIŞ HARİTALARININ OLUŞTURULMASI VE ULUSAL COĞRAFİ BİLGİ PLATFORMUNA ENTEGRASYONU	78
Ülkü ERİŞOĞLU İlkay ALTINDAĞ Tayfun SERVİ	GELİŞMİŞLİK GÖSTERGELERİ İLE TÜRKİYE'DE İLLERİN İSTATİSTİKSEL KARŞILAŞTIRILMASI	80
İlkay ALTINDAĞ Semih ÜZÜMCÜ	YAPISAL EŞİTLİK MODELLEMESİ: TEKNOLOJİ KABUL MODELİ UYGULAMASI	92
Yasemin Serhatlı	HAZIR GIYIM SEKTÖRÜ DENİM (JEAN) KATEGORİSİNDE ÜRÜN YAŞAM DÖNGÜSÜNÜ KAPSAYAN TÜM SÜREÇLERDE UYGULANABİLİR YEŞİL İŞ STRATEJİLERİ	111
Şebnem ASLAN Demet AKARÇAY ULUTAŞ	İNSAN KAYNAKLARI YÖNETİMİ BAKIŞ AÇISIYLA SAĞLIK ÇALIŞANLARINDA ALGILANAN İŞ KONTROLÜ	114
Şebnem ASLAN Demet AKARÇAY ULUTAŞ	ÖRGÜTSEL ERDEMLİLİK ÖLÇEĞİNİN TÜRKÇEYE UYARLANMASI: GEÇERLİLİK VE GÜVENİRLİK ÇALIŞMASI	124
Emmanuel Lamptey, Michael. A Okunlola, Serwaa Dorcas, Ephraim Kumi Senkyire, Jude Ameyaw, Benita Dooshima Aki	PERCEIVED MYTHS AND MISCONCEPTIONS ABOUT THE NOVEL COVID 19 OUTBREAK: A RESEARCH BASED ON THE ONLINE CROSS SECTIONAL SURVEY OF 1200 RESPONDENTS ACROSS WEST AFRICA	134

**MAS INTERNATIONAL EUROPEAN CONFERENCE ON
MATHEMATICS-ENGINEERING-NATURAL & MEDICAL SCIENCES-XII**

Mikail ERDAŞ	METAL İMALAT SEKTÖRÜNDE İŞ SAĞLIĞI VE GÜVENLİĞİ RİSKLERİNİN DEĞERLENDİRİLMESİ	147
Viney Dhiman Dr. Anupama Bharti	THE ROLE OF “MEDICAL SOCIAL WORKER” IN CARDIO VASCULAR THORACIC SURGERY	148
Md.Rezwanul Haque CHOWDHURY Dr. Mushtary Momotuj MIMI Miratul TAYEBA BRINTA MD. INZAMAM-UL-ISLAM	KNOWLEDGE AND AWARENESS AMONG THE MEDICAL STUDENTS ABOUT RECEIVING HBV VACCINE ALONG WITH EPI	149
Burcu KORKUT	COVID-19 SALGINININ YAŞLILARIN RUH SAĞLIĞI ÜZERİNDEKİ ETKİSİ	150
Hakan Dal Esra Sultan Karabulut Keklik	COVID-19 PANDEMİSİNDE YOĞUN BAKIM ÇALIŞANLARININ ANKSİYETE DÜZEYİNİN DEĞERLENDİRİLMESİ	152
HAYAT AHAMAD	MUSLIM WOMEN IN INDIAN SOCIETY: THEIR CRITICAL ANALYSIS	154
Balamurugan V Arunkumar R A. Aravindh	INTEGRATING GENDER AND NUTRITION WITHIN AGRICULTURAL EXTENSION AND ADVISORY SERVICES	161
Özlem SARAL Ayten YILMAZ YAVUZ	ÜNİVERSİTE ÖĞRENCİLERİNİN ARI ÜRÜNLERİNİ TANIMA DURUMU VE KULLANIM ALIŞKANLIKLARININ BELİRLENMESİ	162
Halil BAKAL	OSMANİYE-2005 X NC-7 ÇEŞİTLERİNİN MELEZLEMESİNDEN ELDE EDİLEN İLERİ KADEMEDEKİ YERFİSTİĞİ HATLARININ (F6) ANA ÜRÜN KOŞULLARINDAKİ VERİM POTANSİYELLERİ İLE ÖNEMLİ TARIMSAL VE KALİTE ÖZELLİKLERİN BELİRLENMESİ	163
Aravindh A Arunkumar S V. Balamurugan	NANOTECHNOLOGY IN AGRICULTURE	172
Arunkumar R Balamurugan V S. Arunkumar	JOB OF MARINE MICROALGAE IN CROP PROTECTION	173
Anupma Kumari	AQUACULTURE AS EMERGING INDUSTRY IN SUİSTANABLE DEVELOPMENT IN SUNDERBAN	174
ANUPMA KUMARI	THE MANGROOVES FOREST ARE IN A WAY TO DEGRADATION DUE TO SALINITY	189
Anupama Kumari	CONSERVATION OF MANGROOVES	191
Anupama Kumari	SHRIMP CULTURE	200

**MAS INTERNATIONAL EUROPEAN CONFERENCE ON
MATHEMATICS-ENGINEERING-NATURAL & MEDICAL SCIENCES-XII**

Emin BOZKURT	SON 10 YILDA TÜRKİYE SÜRÜNGENLERİNDE GERÇEKLEŞTİRİLEN TAKSONOMİK DEĞİŞİKLİKLER VE YENİ TAKSONLAR	207
Bilge Kaan TEKELİOĞLU	YARASA KÖKENLİ VİRAL ZOONOZ ENFEKSİYONLAR İLE ZOONOZLARLARLA MÜCADELEDE DOĞAL YAŞAM ALANLARININ KORUNMASININ ÖNEMİ	209
Bilge Kaan TEKELİOĞLU Ömer AKAY	EQUINE VIRAL INFECTIONS, EHV-1 AND EHV-4 DNA DETECTION IN RACE HORSES NEONATAL DEATH FOALS AND NASAL SWABS, IN TURKEY	222
Kiran Ghimire Menuka Maharjan	IMPACT OF AGROFORESTRY INTERVENTION ON SOIL ORGANIC CARBON AND NUTRIENTS STATUS: A CASE OF BHATTEDANDA, LALITPUR, NEPAL	223
Serhat ENGİN Şule GÜRKAN Ertan TAŞKAVAK	EGE DENİZİ'DE DAĞILIM GÖSTEREN DİL BALIKARINDA (Solea solea L. 1758) KARACIĞER DOKUSUNDA MEYDANA GELEN FARKLILIKLARIN AYLIK DEĞERLENDİRMESİ	224
Mir Reyaz Hassan Masoodi Mubashir Hussain	EVALUATION OF ANTI-INFLAMMATORY ACTIVITY OF DIFFERENT EXTRACTS OF PLECTRANTHUS RUGOSUS	226
Mert TOLON Ersin YILDIZ	INNOVATIVE NUMERICAL APPROACHES BASED ON TRADITIONAL SLOPE STABILITY ANALYSIS METHODS: A PRELIMINARY STUDY	227
Rajeshkumar Selvaraj Mageshwaran Subramani Manoharan Ramamoorthy	VIBRATION ANALYSIS OF COMPOSITE SANDWICH SHELL PANEL WITH MR ELASTOMER CORE	234
Sevin UZER Sedat YALÇINKAYA	KATI ATIK TOPLAMA YERLERİNİN TAYİNİ İÇİN COĞRAFİ BİLGİ SİSTEMLERİ TABANLI BİR YÖNTEM GELİŞTİRİLMESİ	235
Mustafa CEYLAN	TERS MESAFE AĞIRLIKLILIKLI ENTERPOLASYON YÖNTEMİ (IDW) KULLANILARAK TÜRKİYE SICAKLIK VE YAĞIŞ HARİTALARININ OLUŞTURULMASI VE ULUSAL COĞRAFİ BİLGİ PLATFORMUNA ENTEGRASYONU	237
Nuri Yönet Naime Filiz Özdil	TEK GİRİŞ ÇİFT ÇIKIŞLI T BORU SİSTEMİ İÇERİSİNDE AKIŞKANIN ISI TRANSFERİNİN ARAŞTIRILMASI	239
Nuri Yönet Naime Filiz Özdil	MOTORİN VE AKARYAKIT İŞARETLEYİCİ ÜRÜNÜN MİKSERSİZ BORU HATTINDA VE TANK İÇERİSİNDE KARIŞIMININ İNCELENMESİ	247

**MAS INTERNATIONAL EUROPEAN CONFERENCE ON
MATHEMATICS-ENGINEERING-NATURAL & MEDICAL SCIENCES-XII**

Fırat Baş Ali Kibar Murat Hoşöz	ISI POMPASI VE DİĞER SİSTEMLER ARASINDAKİ ENERJİ VERİMLİLİĞİNİN KARŞILAŞTIRILMASI HAKKINDA BİR İNCELEME ÇALIŞMASI	256
Sani Inusa Milala, Bala Ishiyaku, Bashir Ali	DIGITALIZATION OF LAND RECORDS THROUGH GEOGRAPHIC INFORMATION SYSTEM: AN IMPERATIVE FOR RELIABLE EFFICIENT AND EFFECTIVE LAND ADMINISTRATION IN BORNO STATE, NIGERIA	258
Berkant DİNDAR İnan AĞIR	ÇOĞUL DUVARLI KARBON NANOTÜP KATKILI TEK YÖNLÜ E-CAM/EPOKSİ KOMPOZİTLERİN BURKULMA DAVRANIŞININ ARAŞTIRILMASI	265
Osman ÇAMLIBEL	ZEOLİT KATKILI ORTA YOĞUNLUKLU LEVHALARIN (MDF) MEKANİK ÖZELLİKLERİ	270
Mohamed El Malki	ACOUSTIC WAVE PROPAGATION IN TWO PERIODIC EXPANSION CHAMBERS	278
Parth Prajapti Vishal Dhakane Manish Kumar	ECONOMICS OF EFFICIENT ELECTRICITY GENERATION AND DESALINATION BY SMALL MODULAR REACTOR	279
N. Akhtar, N. Pradhan, G.K. Barik, S. Chatterjee, S. Ghosh, A. Saha, P. Satpati, A. Bhattacharya, M. K. Santra, D. Manna	QUININE-BASED SEMISYNTHETIC ION TRANSPORTERS WITH POTENTIAL ANTI-PROLIFERATIVE ACTIVITIES	289
Waheed Abiodun Adeosun Prof. Abdullah M. Asiri and Prof. Hadi M. Marwani	ELECTROCATALYTIC REDUCTION OF 2, 6- DINITROPHENOL ON POLYCONGO RED DECORATED GLASSY CARBON ELECTRODE FOR ELECTROCHEMICAL SENSING APPLICATION	290
Ebru DEVECİ Fatih ÇAYAN Gülşen TEL-ÇAYAN Mehmet Emin DURU	HYMENOCHEAETE RUBIGINOSA MANTARININ FENOLİK BİLEŞİKLERİ VE ANTİOKSİDAN AKTİVİTESİ	291
Özge YÜKSEL ORHAN	STERİK ENGELLİ AMİN KARIŞIMLARININ CO ₂ ABSORPSİYON KİNETİĞİNE SİNERJİK ETKİSİ	293
Gülnur Önsal Pelin Yıldırım Taşer Onur Uğurlu	FTALOSİYANİN KATKILI NEMATİK SIVI KRİSTAL KOMPOZİT YAPILARIN ÖZELLİKLERİNİN ARAŞTIRILMASI VE MAKİNE ÖĞRENMESİ ALGORİTMALARI KULLANILARAK DİELEKTRİK SABİTİNİN TAHMİNİ	295
Emrah TURGUT Mert Sinan TURGUT	PROPAN (R290) SOĞUTUCU AKIŞKANI İÇİN KAYNAMALI AKIŞ KORELASYONLARININ TAHMİN KESİNLİĞİ DEĞERLENDİRİLMESİ	297
Mohammed Tihit Aleksi V. Ponaryadov	EFFECT OF TEMPERATURE ON THE STRUCTURAL PROPERTIES OF BARIUM	299

**MAS INTERNATIONAL EUROPEAN CONFERENCE ON
MATHEMATICS-ENGINEERING-NATURAL & MEDICAL SCIENCES-XII**

Jamal-Eldin F. M. Ibrahim Emese Kurovics Elena L. Kotova László A. Gömze	TITANATE NANOPOWDERS SYNTHESIS VIA SOL-GEL PROCESS	
M. Noviansyah Aridito Syaiful Mansyur Syamsul Ma'arif	CHARACTERISTICS OF BIO-CHARCOAL AND LIQUID SMOKE FROM TEA LEAF WASTE USING ROCKET STOVE PYROLYSIS WITH DOUBLE CONDENSERS	300
Kehinde Caleb OMÍDOYÍN	MICROBIAL BIOFERTILIZER AS AN ECO- FRIENDLY ALTERNATIVE FOR INCREASING CROP PRODUCTIVITY AMONG SMALLHOLDER FARMERS IN NIGERIA	301
C. Bourahla F. Boukabrine	STUDY AB INITIO OF ELECTRONIC AND OPTICAL PROPERTIES OF CSMOSE BY THE FP- LAPW METHOD	302
C. Bourahla F. Boukabrine	ELECTRONIC AND OPTICAL PROPERTIES STUDY AB INITIO OF CSMOSE BY THE FP-LAPW METHOD	303
ANAMIKA SINGH	GRAPHENE-A 2D WONDER	304
Yar Zar Chit May Hnit	SELF PERCEIVED ASSESSMENT SKILLS OF MATHEMATICS TEACHERS IN BASIC EDUCATION SCHOOLS	305
.JALAGANDESHWARAN, DR.J.MEENAMBIGAI, M.ARAVINDHAN	PROMOION OF ORGANIC FARMING FOR SUSTAINABLE DEVELOPMENT IN AGRICULTURE	314
A. SARANYA	AN EFFICIENT TUMOR DETECTION AND 3D MODELING BASED ON ORGANISATION MAP	315
M.ARAVINDHAN, SINDHUJA.R, JALAGANDESHWARAN.R	AGRIPRENEURSHIP - A WAY TO ERADICATE UNEMPLOYMENT AMONG RURAL YOUTH	316
Rafiq Lone	DIMENSIONS OF RELATIONSHIP MARKETING IN CONTEXT OF MOBILE TELECOM INDUSTRY IN INDIA –A STUDY OF JAMMU & KASHMIR	317
Sanjeev Kumar Gupta, Yash Paul, Sushmita Thakur Kewal Kumar	ETHNO-MEDICINAL PLANTS USED BY BAKERWAL TRIBE IN THE SIWALIK HILLS OF RAMKOTE, JAMMU AND KASHMIR, INDIA	323
Arunkumar, Arunkumar R A. Aravindh	LOSSES CAUSED BY STORAGE AND OTHER ECONOMIC PESTS IN WAREHOUSES	324

**ATOMEKSETİNİN FARMASÖTİK PREPARATLARDA 7,7,8,8,-
TETRASIYONOKİNODİMETAN BELİRTECİ KULLANILARAK
SPEKTROFOTOMETRİK ANALİZİ**

Dr. Cem ÖNAL

CinnaGen Pharmaceutical Ataşehir/Istanbul.

Özet

Bu çalışmada dikkat eksikliği hiperaktivite bozukluğu tanısında kullanılan atomeksetinin farmasötik preparatlarında analizi için 7,7,8,8,-tetrasiyonokinodimetan (TCNQ) belirteci kullanılarak analizine dayanan spektrofotometrik bir yöntem geliştirilmiştir. Geliştirilen bu metod ilaç maddesinin TCNQ belirteci ile 80 °C de 20 dakikada mor renkli türev oluşumuna dayanmaktadır. Ölçüm yapılan dalga boyu 567 nm dir. Kalibrasyon eğrisi 1-10 µg/mL aralığında doğrusal bulunmuştur. Geliştirilen metod ayrıca uluslararası Uyum Konferansı verilerine göre valide edilmiş ve ilaç maddesinin farmasötik preparatlardaki analizine de başarıyla uygulanmıştır.

Anahtar Kelimeler: Atomeksetin, TCNQ, Validasyon, Farmasötik Preparat, Spektrofotometrik analiz

**SPECTROPHOTOMETRIC ANALYSIS OF ATOMEXETINE USING 7,7,8,8,-
TETRACYANOQUINODİMETHANE AS A DERIVATIZATION REAGENT**

Abstract

In this study, spectrophotometric analysis was developed for the determination of atomoxetine (it is used for attention deficit hyperactivity disorder) of using 7,7,8,8,-tetracyanoquinodimethane reagent (TCNQ). These developed methods was based on purple chromogen formation of atomoxetine with TCNQ reagent at 80° C for 20 min. Maximum wavelength was chosen as 567 nm. Calibration graph was linear with range of 1-10 µg/mL. The developed method was validated according to International Conference on Harmonisation and successfully applied to pharmaceutical preparation analysis of atomoxetine.

Keywords: Atomoxetine, TCNQ, Validation, Pharmaceutical preparation, Spectrophotometric analysis

CARBONIC ANHYDRASE INHIBITORS AS ANTI-OBESITY DRUG

Ayşegül SÜMER

Recep Tayyip Erdoğan University

ORCID : 0000-0003-4918-4368

Abstract

Obesity is a chronic disease with an etiology affected by genetic, physiological, behavioral, environmental, mental, and sociocultural factors. The disease, which is characterized by the increase in the number, and amount of fat cells in the body, invites many diseases such as Type 2 diabetes, cardiovascular diseases, hypertension, and cancer. Since obesity involves neuronal and metabolic mechanisms, processes such as hunger, satiety, and fat accumulation in the body must be well explained to understand pharmacological treatments. Obesity treatment includes physical activity, diet, cognitive-behavioral therapies, pharmacotherapy, and lifestyle changes. Although lifestyle changes are difficult, there are cases when they do not work. Bariatric surgery, on the other hand, is a risky procedure due to its economic burden, weight gain, and surgical complications. Limited alternatives required drug treatments and directed them to new research. Carbonic anhydrases (CAs, EC 4.2.1.1) are metalloenzymes that have 16 different isoenzymes in mammals, catalyze the reversible change of carbon dioxide and water to bicarbonate, involved in many biosynthetic processes including pH and CO₂ homeostasis, electrolyte secretion in various tissues/organs, lipogenesis, gluconeogenesis, and ureagenesis. Recently, some studies have shown that inhibition of carbonic anhydrases with sulfonamide/sulfate group compounds as a new anti-obesity strategy. Strong inhibition of mitochondrial isoenzymes CA VA and CA VB by topiramate, an antiepileptic drug, suggests that the drug can be used as an anti-obesity drug, given its roles in lipogenesis. Zonisamide, an aliphatic sulfonamide group drug, is a powerful inhibitor of cytosolic and mitochondrial carbonic anhydrases. The effects of these drugs, which show their anti-obesity effects by inhibiting the flow of substrate for lipogenesis, have been found by chance. Reducing mitochondrial oxidative stress that plays a role in lipogenesis and obesity-related diseases with inhibition of mitochondrial isoenzymes promise a viable and more economical way to treat obesity.

Keywords: carbonic anhydrase, obesity, topiramate, zonisamide.

**GERİATRİK DİYABETİK HASTALARDA İLAÇ TEDAVİSİNİN GERİYE DÖNÜK
DEĞERLENDİRİLMESİ**

Sibel Demiral SEZER
Sağlık Bilimleri Üniversitesi

Özet

Polifarmasi aynı anda en az 4 ilacın kullanılmasıdır. Fakat geriatric hastalarda ilaca bağlı komplikasyonun ortaya çıkması fazla ilaç kullanmasından değil aynı zamanda eksik ve hatalı kullanması nedeniyle ortaya çıkabilmektedir. Bu çalışmada polikliniğe başvuran geriatric diyabetik hastaların ilaç tedavisine uyumlarını geriye dönük araştırdık.

Çalışmaya Şubat 2017- Nisan 2018 tarihleri arasında Tepecik Eğitim ve Araştırma Hastanesi İç hastalıkları Polikliniği'ne başvuran, diyabet tanısı alan en az 4 ilaç kullanan 65 yaş ve üzeri toplam 210 hasta dahil edilmiştir. Hastaların demografik özellikleri, kronik hastalıkları ve ilaç tedavilerine uyumu geriye dönük değerlendirilmiştir.

Çalışma grubunun ortalama yaşı 69.2 ± 2.0 (erkekler için 67.2 ± 3 , kadınlar için 71.8 ± 5) idi. Hastaların %16.4'ünün okuma-yazmasının olmadığı ve ilaçları renklerine göre aldığı, %34.6'sının ilköğretim mezunu olduğu, %21.8'inin ortaokul, %18.2'sinin Lise ve %9'unun üniversite mezunu olduğu saptandı. Hastaların %95.4'ünde diyabetes mellitus ek olarak, hipertansiyon, koroner arter hastalığı, alzheimer, kronik obstrüktif akciğer hastalığı ve depresyon vardı. Hastaların %4.6' sında sadece diyabet olduğu saptandı. Hastaların %25.7'sinin 3, %46.8'inin 4, %52.6'sının 5, %43.1'inin 6 ve %38.2'sinin 7 ilaç aldığı belirlendi. Hastaların % 25.4'ünün diyabet ilaçlarını düzenli olarak her gün alabildiği belirlendi. Ayrıca %32.4 hastanın bazen yanlış ilaç aldığı, bu hastaların okuma-yazması olmayan ve ilköğretim mezunu hastalar olduğu belirlendi. İlaç uyumu olan hastalarda HbA1c düzeyi %7.3 iken uyumu olmayan hastalarda %9.1 olarak belirlendi, $p < 0.001$.

İlaçlarını düzenli kullanan geriatric diyabetik hastaların HbA1c düzeyi anlamlı olarak düşük bulunmuştur. Bu durum komplikasyonların azalmasına, yaşam kalitesinin artmasına ve yaşam süresinin uzamasına neden olacaktır. Poliklinik hizmetlerinde geriatric hastaların ve/veya yakınlarının diabet gibi kronik hastalıkların ilaçlarını düzenli kullanımı için ayrıntılı bilgi, eğitim verilmesi ve daha çok zaman ayrılması gerektiğini düşünmekteyiz.

Anahtar Kelimeler: Geriatri, Diyabet, İlaç

**RETROSPECTIVE EVALUATION OF DRUG THERAPY IN GERIATRIC
DIABETIC PATIENTS**

Abstract

Polypharmacy is the use of at least 4 drugs at the same time. Apart from using too much medicine in geriatric patients, it also harms incomplete and incorrect medication use. In this study, we retrospectively investigated the compliance of geriatric diabetic patients admitted to the outpatient clinic for drug therapy. A total of 210 patients aged 65 and over who applied to the Tepecik Training and Research Hospital Internal Medicine Outpatient Clinic between

**MAS INTERNATIONAL EUROPEAN CONFERENCE ON
MATHEMATICS-ENGINEERING-NATURAL & MEDICAL SCIENCES-XII**

February 2017 and April 2018 and who were diagnosed with diabetes were included in the study. Patients' demographic characteristics, chronic diseases and compliance with drug treatments were evaluated retrospectively.

The average age of the study group was 69.2 ± 2.0 (67.2 ± 3 for men and 71.8 ± 5 for women). It was determined that 16.4% of the patients were illiterate and took the drugs according to their colors, 34.6% were primary school graduates, 21.8% were middle school, 18.2% were high school and 9% were university graduates. In addition to diabetes mellitus, 95.4% of patients had hypertension, coronary artery disease, alzheimer's, chronic obstructive pulmonary disease, and depression. Only 4.6% of patients had diabetes. It was determined that 25.7% of patients received 3 medications, 46.8% 4, 52.6% 5, 43.1% 6 and 38.2% 7 medications. It was determined that 25.4% of patients could take diabetes medications regularly every day. It was also determined that 32.4% of the patients sometimes took the wrong medication, these patients were illiterate and primary school graduates. HbA1c level was 7.3% in patients with drug compliance and 9.1% in patients without compliance, $p < 0.001$.

HbA1c levels of geriatric diabetic patients using their drugs regularly were found to be significantly low. This will lead to decreased complications, increased quality of life and extended life. In polyclinic services, we think that geriatric patients and / or their relatives should be given detailed information, training and more time for regular use of drugs of chronic diseases such as diabetes.

Keywords: Geriatrics, Diabetes, Medication

**MANYETİK İLAÇ HEDEFLEME UYGULAMALARINDA KAN REOLOJİK AKIŞ
MODELLERİNİN ANALİZİ**

Öğr. Grv. Hatice BİLGİLİ

ORCID ID: 0000-0002-3897-8835

Prof. Dr. Teymuraz ABBASOV

ORCID ID: 0000-0002-0290-8333

İnönü Üniversitesi

Özet

Kan esnek kırmızı kan hücrelerinin yoğun bir süspansiyonu olup, damar boyunca düzgün olmayan bir derişime sahiptir. Kanın damarlardaki akışı Non-Newtonyen özellikli olup, süspansiyonun yoğunluğu, kan hücrelerinin özellikleri ve akış geometrisi ile değişmektedir. Tıp uygulamalarında başarı gösteren Manyetik İlaç Hedefleme (MDT) yönteminin etkinliği kanın reolojik özelliklerine ve damarlardaki akış şekline bağlıdır. Literatürde kan reolojisi için Ostwald De Waele (Power-Law) ve Carreau Yasuda modelleri yaygın olarak kullanılmaktadır. Fakat önerilen bunlar ve diğer bütün modeller, kanın reolojik özelliklerinin belirli koşulları için geçerlidir. Çünkü kan reolojisi çok sayıda etkenlere bağlı olarak değişmektedir. Bu durum ise; kan ile yapılan MDT uygulamalarının yüksek performans göstermesine engel olmaktadır. Dolayısıyla yüksek performanslı MDT uygulamalarını kapsayan genel teorik modeller bulunmamaktadır ve halen bu problem güncelliğini korumaktadır.

Bu çalışmada, kan ve kan imitasyonu süspansiyonların reolojik özelliklerinin istatistik verileri incelenmiştir. MDT uygulamalarında kullanılmak üzere, genel biçimde eşeksenli borulardaki hız profilinin belirlenmesi için yeni bir yaklaşım modeli önerilmiştir. Reolojik akışın özelliklerine ve akış hızı profilinin limit değerlerine dayanılarak hız profili denklemi oluşturulmuştur. Viskoz akış profilindeki benzerlik baz alınarak, hidrodinamik denklemin analitik çözümü elde edilmiştir. Literatürde sunulmuş olan çözümlerden farklı olarak, önerilen modelin, süspansiyonun borulardaki reolojik akışının hidrodinamik ve reodinamik sınır koşullarını da sağladığı görülmüştür. Modelden elde edilen sonuçların; manyetik özellik kazandırılmış ilaçların, hasta bölgelere taşınıp etkin olarak tutulması olayını açıklayan hidrodinamik ve reodinamik denklemlerin analitik çözümlerini kolaylaştırdığı görülmüştür. Elde edilen bu modeller, kanın damarlardaki reolojik akış dağılımının belirlenmesinde, MDT uygulamalarındaki parçacığın dinamiğinin ve konvektif ısı-kütle transferi problemlerinin incelenmesinde kullanılabilir. Önerilen reolojik akışların yaklaşık modeli, kanın yalnız büyük çaplı damarlarda değil, eşeksenli bölgelerde, düzgün olmayan yarıklarda, hatta kılcal damarlardaki akışlarının incelenmesinde de kullanılabilir. Ayrıca bu yöntemin genel olarak; tıp, biyoloji ve mühendisliğin birçok alanlarında, özellikle de mikro-nano akışkan sistemlerine ait problemlerin çözümlerinde kullanılabilir olduğu vurgulanmıştır.

Anahtar Sözcükler: Kan Reolojisi, Manyetik İlaç Hedefleme, Reolojik Akış Modeli.

* Bu çalışma İnönü Üniversitesi Bilimsel Araştırma Projeleri Koordinasyon Birimi (BAP) tarafından desteklenen FDK-2017-775 numaralı proje kapsamında gerçekleştirilmiştir.

**ANALYSIS OF BLOOD RHEOLOGICAL FLOW MODELS IN MAGNETIC DRUG
TARGETING APPLICATIONS**

Abstract

Blood is a dense suspension of flexible red blood cells that have non-uniform concentration across the vein. The flow of blood in the vessels is non-Newtonian, and the density of the suspension varies with the properties of the blood cells and flow geometry. The effectiveness of the Magnetic Drug Targeting (MDT) method, which is successful in medical applications, depends on the rheological properties of the blood and the way of flow in the vessels. In the literature, mainly Ostwald De Waele (Power-Law) and Carreau Yasuda models are widely used for blood rheology. But these proposed models and all other models are valid for certain conditions of the rheological properties of the blood. Because blood rheology changes depending on many factors. This condition prevents high performance of MDT applications that are made with blood. Therefore, there are no general theoretical models covering high performance MDT applications, and this problem still remains current.

In this study, statistical data of rheological properties of blood and blood imitation suspensions were investigated. A new approach model has been proposed to determine the velocity profile in generally coaxial pipes to be used in MDT applications. The velocity profile equation was created based on the properties of the rheological flow and the limit values of the flow rate profile. Based on the similarity in the viscous flow profile, the analytical solution of the hydrodynamic equation was obtained. Unlike the solutions presented in the literature, the proposed model has been found to provide hydrodynamic and rheodynamic boundary conditions of the suspension's rheological flow in the pipes. The results obtained from the model; It has been seen that drugs which had magnetically gained properties have facilitated the analytical solutions of hydrodynamic and rheodynamic equations explaining the event of moving them to patient areas and keeping them active. These models can be used to determine the rheological flow distribution of blood in the vessels, to examine the dynamics of the particle in MDT applications and the convective heat-mass transfer problems. The approximate model of the proposed rheological flows can be used to examine the flow of blood not only in large diameter vessels, but also in coaxial regions, irregular clefts, or even capillaries. Additionally, it has been emphasized that this method can also be used in medicine, biology, and many areas of engineering, especially in the solutions of problems related to micro-nano fluid systems.

Keywords: Blood Rheology, Magnetic Drug Targeting, Rheological Flow Model.

* This study was carried out within the scope of the project numbered FDK-2017-775 supported by Inonu University Scientific Research Projects Coordination Unit (BAP).

**MANYETİK İLAÇ HEDEFLERİNE UYGULAMALARINDA PARÇACIKLARA
ETKİYEN MANYETİK ALANIN ANALİZİ**

Öğr. Grv. Hatice BİLGİLİ

ORCID ID: 0000-0002-3897-8835

Prof. Dr. Teymuraz ABBASOV

ORCID ID: 0000-0002-0290-8333

İnönü Üniversitesi

Özet

Manyetik İlaç Hedefleme (MDT) yöntemi, özellikle kanser başta olmak üzere birçok hastalığın tedavisinde gerekli ilaç dozu ayarlaması için yaygın olarak kullanılmaktadır. Bu yöntemde; manyetik özellik kazandırılmış ilaç, dış manyetik alan etkisiyle tedavi edilecek hasta bölgeye kolaylıkla taşınabilir. MDT yönteminin etkinliği, manyetik özellik kazandırılmış ilaca etkiyen kuvvetin genliği ile belirlenir. Manyetik alanda mikron ve submikron parçacıklara etkiyen manyetik kuvvetin belirlenmesi elektromanyetik alan teorisinin (EMAT) klasik problemlerindedir. Fakat MDT işlemlerinde kullanılan gradyanlı manyetik alanların birçok özgün özelliklere sahip olması gerekmektedir. Bu tür gradyanlı manyetik alanların klasik EMAT prensiplerine dayalı çözümleri matematiksel bakımdan karmaşık olup, pratik hesaplamalar için pek kullanışlı değildir. Bu nedenle MDT sistemlerin tasarımı, yapımı ve modellemesinde gradyanlı manyetik alanların basit hesaplama yöntemlerinin geliştirilmesi ve parçacıklara etkiyen kuvvetin gerçek değerinin hesaplanması büyük önem taşımaktadır.

Bu çalışmada, MDT sistemlerinde kullanılan manyetik alanların özelliklerinden gidilerek literatürde sunulmuş olan modeller üzerinde çalışmalar yapılmıştır. Bu çalışmaların sonucunda, farklı geometriye sahip matris elemanları (küre, silindirik çubuk) için genel bir yaklaşık model elde edilmiştir. Manyetik alan geometrisinden gidilerek, oluşturulan sınır koşulları dikkate alındığında pratik uygulamalarda kolaylıkla kullanılabilen basit analitik hesaplama formüllerinin elde edildiği gösterilmiştir. Bu yaklaşık analitik modeller incelenen problemin yapısına bağlı olarak cebirsel, eksponansiyel, trigonometrik ve başka fonksiyon şeklinde seçilebilir. Oluşturulan modellerin hassasiyetinin artırılması için deneysel ölçümler kullanılabilir. Bu amaçla bu çalışmamızda, 3D yazıcı prensibi bazında tasarlanarak çalıştırılmış magnetometre kullanılmıştır. Sabit mıknatıslar ve Hall Probu kullanılan bu magnetometre büyük hassasiyetle manyetik alanın sınır veya diğer özel noktalardaki alan yoğunluklarının ölçülmesine ve modelde gerekli düzeltmelerin yapılmasına imkân sağlamaktadır. İncelenen problemin özelliğine bağlı olarak oluşturulan bu modellerin daha basit yaklaşık formüllere de dönüştürülebileceği gösterilmiştir. Elde edilen sonuçların MDT teorisi ve pratiğinin geliştirilmesi için önemli katkı sağlayacağı vurgulanmıştır.

Anahtar sözcükler: Manyetik İlaç Hedefleme, Manyetik Kuvvet, Mıknatıslanmış İlaç, Gradyanlı Manyetik Alan.

* Bu çalışma İnönü Üniversitesi Bilimsel Araştırma Projeleri Koordinasyon Birimi (BAP) tarafından desteklenen FDK-2017-775 numaralı proje kapsamında gerçekleştirilmiştir.

ANALYSIS OF MAGNETIC FIELD THAT AFFECT THE PARTICLES IN MAGNETIC
DRUG TARGETING APPLICATIONS

Abstract

Magnetic Drug Targeting (MDT) method is widely used for drug dosage adjustment necessary in the treatment of many diseases especially cancer. In this method; drugs with magnetic properties can easily be moved to the diseased area that can be treated by the external magnetic field effect. The effectiveness of the MDT method is determined by the amplitude of the force acting on the magnetized drug. Determining the magnetic force acting on micron and submicron particles in the magnetic field is one of the classical problems of the electromagnetic field theory (EMFT). However, the gradient magnetic fields used in MDT processes must have many unique properties. Solutions of such gradient magnetic fields based on classical EMFT principles are mathematically complex and not very useful for practical calculations. Therefore, it is very important to develop simple calculation methods of gradient magnetic fields in the design, construction and modeling of MDT systems and to calculate the true value of the force that affects particles.

In this study, studies were carried out on models presented in the literature by going through the properties of magnetic fields used in MDT systems. As a result of these studies, a general approximate model for matrix elements (sphere, cylindrical rod) with different geometry has been obtained. By going from the magnetic field geometry, it was shown that simple analytical calculation formulas are obtained, which can be easily used in practical applications, given the boundary conditions created. These approximate analytical models can be chosen as algebraic, exponential, trigonometric and other functions depending on the nature of the problem under study. Experimental measurements can be used to increase the sensitivity of the models created. For that reason, magnetometer designed and operated on the basis of 3D printer principle was used in this study. This magnetometer, which uses permanent magnets and Hall Probe, allows to measure the field densities of the magnetic field at the border or other special points with great precision and make necessary corrections in the model. It has been shown that these models, which are formed depending on the characteristics of the examined problem, can be converted to simpler approximate formulas. It was emphasized that the results obtained would make an important contributions to the development of MDT theory and practice.

Keywords: Magnetic Drug Targeting, Magnetic Force, Magnetized Drug, Gradient Magnetic Field.

* This study was carried out within the scope of the project numbered FDK-2017-775 supported by Inonu University Scientific Research Projects Coordination Unit (BAP).

TARGET GENES OF CDKN2A IN COLORECTAL CANCER

Zekiye ALTAN

Orcid id:0000-0002-1842-5619

Yunus SAHIN

Orcid id:0000-0002-2721-6683

Emel SAHIN

Orcid id:0000-0002-3233-8044

Mehmet SAHIN

Orcid id:0000-0001-8312-5156

University of Gaziantep

Abstract

Colorectal cancer is the third most common form of cancer in men and women after lung cancer according to the world health organization. Recent treatment strategies of colorectal carcinoma is that polyps can be detected by colonoscopy and surgically removed. However, if the tumor cells invasion the neighbouring tissues, treatment is attempted with chemotherapy. The success rate of existing chemotherapy drugs is higher in the early stages of the tumor. New chemotherapeutic drug targets are needed for the treatment of colorectal cancer in the further stages. "Cyclin Dependent Kinases (CDK)", which plays an important role in the regulation of the cell cycle, and initiation and progression of many cancers including colorectal cancer. P16, a protein encoded by the CDKN2A gene, is a member of the INK4 family of CDK inhibitors. As a result of alternative splicing of CDKN2A gene, p14ARF and p16 proteins are produced. There are many genes in cell cycle regulation that are targeted by p16 protein according to bioinformatics analysis. Determining the expression levels of these genes in colorectal cancer and healthy colon tissue may reveal new therapeutic targets in colon cancer. Fifteen different genes that are the direct targets of CDKN2A protein have been identified by using bioinformatics analysis. In order to determine the expression levels of these genes, colorectal cancer cells (HCT-116 and HT-29) were cultured in appropriate conditions then, RNA was isolated and converted to cDNA. In addition, commercially purchased colon tissue RNA was converted to cDNA. The expression levels of detected genes were determined by using Real-Time PCR and conventional PCR. Statistical analysis was performed with GraphPad Prism 6.02 program. Results are statistically significant ($p < 0.05$). In conclusion we found that CDKN2A is down regulated in colorectal cancer and expression levels of its target genes are differentially in colorectal cancer cells. This data may provide to develop therapeutic drug targets in order to avoid colorectal cancer progression.

Keywords: CDKN2A, Chemotherapy, Colorectal Cancer, p16.

ROLE OF RB AND ITS TARGET GENES IN PROSTATE CANCER

Yunus SAHIN

Orcid id: 0000-0002-2721-6683

Zekiye ALTAN

Orcid id: 0000-0002-1842-5619

Mehmet SAHIN

Orcid id: 0000-0001-8312-5156

Emel SAHIN

Orcid id: 0000-0002-3233-8044

University of Gaziantep

Abstract

Prostate cancer is one of the most commonly diagnosed cancer type in male worldwide. Progression of prostate cancer is relatively slower than other cancer types. However, it still accounts for more than 10% of cancer-related mortality in males. Therefore, achieving a comprehensive understanding of the basic molecular mechanisms in developing prostate cancer can be helpful in developing alternative treatment strategies. RB gene is the first tumor suppressor gene identified whose loss of activation is the cause of many cancers including prostate cancer. In this study, 15 direct target genes of RB was detected by using different bioinformatics tools. Exact role of these detected genes in prostate cancer remains unclear and studies about these genes are very limited. In order to investigate gene expression levels of RB and its target genes, prostate cancer cell lines (PC-3 and DU-145) were used. Healthy human prostate tissue RNA that is commercially purchased was used for comparison. RNA of PC-3, DU-145 cells and prostate tissue was converted cDNA to perform conventional PCR and qPCR experiments. Output data was used in ImageJ and GraphPad Prism 6.02 program to detect of expression levels of genes. According to these results, RB is downregulated in prostate cancer and its target genes are differentially expressed. The results are found to be statistically significant ($p < 0.05$). As a result of this study, RB and majority of its target genes expression are dysregulated in prostate cancer. These genes may have important role in prostate cancer initiation, progression and therapy. Further functional analysis is need to reveal comprehensive role of these genes in prostate cancer.

Keywords: Bioinformatics tools, Prostate Cancer, RB, RB Pathway.

**pEGFP-N1-IL6 PLAZMİDİNİN KATI LİPİD NANOPARTİKÜL İLE
TRANSFEKSİYON VERİMİNİN DEĞERLENDİRİLMESİ**

Fatma Ceren KIRMIZITAŞ

Yıldız Teknik Üniversitesi

ORCID NO: 0000-0002-4437-9994

Nelisa TÜRKÖĞLU LAÇİN

Yıldız Teknik Üniversitesi

ORCID NO: 0000-0001-9118-5183

Murat DEMİRBİLEK

Hacettepe Üniversitesi

ORCID NO: 0000-0001-6990-5607

Özet

Gen transferi, birçok hastalığın tedavisinde başvurulan genetik materyalin hedef hücreye aktarılması yöntemidir. Son otuz yılda başta kanser ve nörodejeneratif hastalıklar olmak üzere geniş bir uygulama alanına sahiptir. Günümüzde, gen transferi sistemleri başta viral ve viral olmayan üzere iki sınıfa ayrılmaktadır. Viral vektörler, genetik materyalin virüsler aracılığıyla hedef hücreye aktarıldığı sistemlerdir. Viral olmayan sistemlere göre başta dayanıklılık ve yüksek taşıma kapasitesine sahip olmaları gibi avantajlara sahiplerdir ancak biyogüvenlik en büyük dezavantajlarıdır. Viral olmayan vektörler, viral vektörlere alternatif olarak geliştirilmiştir. Biyoyumlu ve biyogüvenli olmaları, kolay ve uygun maliyetle üretilmeleri en büyük avantajlarıdır. Son yıllarda, gen aktarımı çalışmalarında, katı lipid nanopartiküller (KLN) sıkça kullanılmaktadır. KLN'ler, 2000 yılından beri gen aktarımında kullanılan, suda veya sürfektanlar içinde çözülmüş 50-1000 nm arası boyutlara sahip kolloidal partiküller olarak tanımlanmaktadır. Boyutlarının küçük olması, geniş yüzey alanına sahip olmaları ve yüksek taşıma kapasitesi ile benzersiz nano-taşıyıcılardır. Negatif yüklü materyalin taşınması için tasarlanan sistemlerde, elektrostatik etkileşimlerden dolayı pozitif yüklü taşıyıcılar tercih edilmektedir. Bu çalışmada, gen aktarımında kullanılmak üzere oktadesilamin bazlı KLN sentezi ve ardından HeLa hücre hattına pEGFP-N1-IL6 plazmidinin aktarılması ile transfeksiyon veriminin değerlendirilmesi hedeflenmiştir. KLN'ler tekli emülsiyon (w/o) çözücü yöntemi ile sentezlenmiştir. Elde edilen KLN'lerin boyut ve yük analizleri Zetasizer cihazı ile belirlenmiştir. KLN'lerin sitotoksikite değerleri MTT analizi ile belirlenmiştir. Gen aktarımının ardından transfeksiyon verimi (TV) florasan ataçmanlı inverted mikroskop ile tayin edilmiştir. KLN'lerin ortalama büyüklüğü 130 nm (± 20) [Polidispersite Endeksi (PDI), 0,3] ve yükü 38,9 mV ($\pm 4,2$) şeklinde bulunmuştur. Sitotoksikite çalışmaları, belirlenen dört farklı konsantrasyon için HeLa hücreleri kullanılarak MTT yöntemi ile yapılmış ve tüm konsantrasyonlarda %65'in üzerinde canlılık gözlenmiştir. TV, transfekte hücrelerin üç gün boyunca takip edilip, fotoğraflarının çekilmesi ve ardından sayılması ile hesaplanmıştır. Yapılan çalışmada transfeksiyon verimi 24. saatte %80 ve en yüksek değer olarak bulunmuştur.

Anahtar Kelimeler: Gen Aktarımı, Katı Lipid Nanopartikül, Transfeksiyon Verimi

Bu çalışma, Yıldız Teknik Üniversitesi Bilimsel Araştırma Projeleri Koordinatörlüğü tarafından FYL-2019-3615 proje numarası ile desteklenmiştir.

**EVALUATION OF TRANSFECTION EFFICIENCY OF pEGFP-N1-IL6 PLASMID VIA
SOLID LIPID NANOPARTICLE**

Abstract

Gene transfer is the method of introducing genetic material to the target cell to treat diseases. In the last thirty years, it has been a wide range of applications especially for cancer and neurodegenerative disease treatment. Nowadays, gene transfer systems are divided into two main classes as viral and non-viral vectors. Viral vectors are systems in which genetic material is transferred to the target cell via viruses. Viral vectors have advantages such as durability and high transfection efficiency compared to non-viral systems, but biosafety is their main disadvantage. Non-viral vectors have been developed as an alternative to viral vectors. Biocompatibility and biosafety are their superiority. Besides, they can easily produce and have low cost compared to viral vectors. In recent years, solid lipid nanoparticles (SLN) have been used frequently for gene transfer. SLNs are defined as colloidal particles with sizes ranging from 50 to 1000 nm, which have been used in gene transfer since 2000, dissolved in water or surfactants. They are unique nano-carriers with their small size, large surface area, and high bearing capacity. In systems designed to transport negatively charged material, positively charged carriers are preferred due to electrostatic interactions. In this study, we aimed to evaluate the transfection efficiency of octadecylamine based SLN for the transfer of pEGFP-N1-IL6 plasmid to the HeLa cell line. SLNs were synthesized by a single emulsion (w / o) solvent method. SLNs size and zeta potential were determined with the Zetasizer. Cytotoxicity of SLNs was determined by MTT analysis. Transfection efficiency (TE) was determined with a fluorescent microscope. The average size of SLNs was determined as 130 nm (\pm 20) [Polydispersity Index (PDI), 0.3] and zeta potential was 38.9 mV (\pm 4.2). Cytotoxicity studies were performed by MTT analysis using the HeLa cancer cell line with four different concentrations and above 65% viability was observed for all concentrations. TE was calculated by observing transfected cells for three days. In the study, TE was determined as 80% at 24 h.

Keywords: Gene Delivery, Solid Lipid Nanoparticles, Transfection Efficiency

This work was supported by Yildiz Technical University The Scientific Research Coordination Unit with the project number FYL-2019-3615.

**SUBKORAKOİD SIKIŞMADA, KORAKOİD MORFOLOJİSİNİN,
KORAKOHUMERAL MESAFENİN, KORAKOĞLENOİD AÇININ VE
KORAKOHUMERAL AÇININ MRG İLE DEĞERLENDİRİLMESİ**

**Dr.Veyssel KAPLANOĞLU,
Doç. Dr.Hatice KAPLANOĞLU**
Sağlık Bilimleri Üniversitesi

Özet

Bu çalışmanın amacı, korakoid morfolojisi, korakohumeral mesafe, korakoglenoid açısı ve korakohumeral açısı değişkenlerinin subkorakoid sıkışma gelişimi üzerine etkileri MRG ile değerlendirilmiştir. Bu retrospektif çalışmaya omuz MRG çekilen toplam 255 hasta (ort. yaş 51.25 ± 15.77 olan 115 erkek ve yaş ortalaması 53.13 ± 14.75 olan 140 kadından) alındı. Tüm MRG incelemeleri standart pozisyonda yapıldı. Korakoid morfolojisi ve subskapularis tendonu değerlendirildi. Tüm olgularda korakohumeral mesafe, korakoglenoid açısı ve korakohumeral açısı ölçülmüştür. Gruplar arasındaki farkı değerlendirmek için tek yönlü ANOVA kullanılmıştır. İkili karşılaştırmalar için, Tukey post hoc analizi yapıldı. Değişkenler arasında Pearson korelasyon analizi yapıldı. Subskapularis tendonu yırtık olan grupta en sık Tip C korakoid görüldü. Korakohumeral mesafe, korakoglenoid açısı ve korakohumeral açısı değerleri için korakoid tipleri arasında istatistiksel olarak anlamlı bir fark saptanmadı ($p > 0.05$). Subskapularis tendon yırtığı olan hastalarda korakoglenoid açısı değerlerinde ve korakohumeral mesafede istatistiksel olarak anlamlı bir azalma vardı ($P = 0.000$). Korakohumeral açısı değeri için tendonu normal olanlar, tendinozis olanlar ve yırtık olan grupların ortalamaları arasında fark yoktur ($p > 0.05$). Korakohumeral mesafe ile korakoglenoid açısı arasında pozitif yönlü korelasyon bulunmuştur ($r = 0.239$, $p < 0.001$). Korakoglenoid açısı ile korakohumeral açısı arasında negatif yönlü korelasyon bulunmuştur ($r = -0.320$, $p < 0.001$). Subskapularis tendon patolojilerinde korakohumeral mesafe ve korakoglenoid açısında azalma gözlemlendi. Tip C korakoid subkorakoid sıkışmada etkili ve önemli bir faktördür.

Anahtar Kelimeler: Manyetik Rezonans Görüntüleme, Subskapular tendon, Subkorakoid sıkışma; Korakoid proses.

**MRI EVALUATION OF CORACOİD MORPHOLOGY, CORACOHUMERAL
DISTANCE, CORACOĞLENOİD ANGLE AND CORACOHUMERAL ANGLE IN
SUBCORACOİD İMPINGEMENT**

Abstract

This study aimed to evaluate the effects of coracoid morphology, coracohumeral distance, coracoglenoid angle, and coracohumeral angle on subcoracoid impingement using MRI. A total of 255 patients (115 men with a mean age of 51.25 ± 15.77 years and 140 women with a mean age of 53.13 ± 14.75 years) were included in this retrospective study. All MRI examinations were performed in the standard position. Coracoid morphology and subscapularis tendon were evaluated. Coracohumeral distance, coracoglenoid angle, and coracohumeral angle were measured in all cases. One-way ANOVA was used to analyze the differences between the groups. The Tukey post-hoc test was performed for paired comparisons. The

**MAS INTERNATIONAL EUROPEAN CONFERENCE ON
MATHEMATICS-ENGINEERING-NATURAL & MEDICAL SCIENCES-XII**

Pearson correlation analysis was undertaken to demonstrate the relationship between the variables. Subscapularis tendon rupture was the most common type C coracoid. Coracohumeral distance, coracoglenoid angle and coracohumeral angle values did not significantly differ according to coracoid types ($p>0.05$). However, there was a statistically significant decrease in coracoglenoid angle and coracohumeral distance values in patients with subscapularis tendon rupture ($p=0.000$). No difference was found in the mean coracohumeral angle values between the normal tendon, tendinosis and rupture groups ($p>0.05$). There was a positive correlation between coracohumeral distance and coracoglenoid angle ($r=0.239$, $p<0.001$), and a negative correlation between coracoglenoid angle and coracohumeral angle ($r=-0.320$, $p<0.001$). Coracohumeral distance and coracoglenoid angle were observed to decrease in subscapularis tendon pathologies while the coracohumeral angle had not changed. Type C coracoid is an effective and important factor in subcoracoid impingement

Keywords: Magnetic Resonance Imaging, Subscapular tendon, Subcoracoid impingement, Coracoid process.

**KULAK ARKASINDA SERT KİTLESİ-TERATOM OLAN OLGU : 1 VAKANIN
OLGU SUNUMU**

Uzm. Dr. Ercan KURT

Adıyaman Eğitim Araştırma Hastanesi

Orcıd no:0000-0003-2595-0873

Uzm. Dr. Semih CANPOLAT

Adıyaman Gerger Devlet Hastanesi

Orcıd no:0000-0002-2471-3211

Özet

Çocuklarda boyun kitlelerinin ayırıcı tanısında tiroglossal kist, dermoid ve epidermoid kistler, brankial yarık kistleri ve teratomlar bulunur. Baş ve boyun teratomları nadir görülür ve tüm teratom tiplerinin %5'ini oluşturur. Çocuklarda boyun kitlelerine yaklaşım hala tartışmalı bir konu durumundadır. Tanı için ultrasonografi (USG), manyetik rezonans görüntüleme (MRI) ya da bilgisayarlı tomografi (CT) kullanılabilir. Bu hastalarda maligniteyi dışlamak amaçlı histolojik tanı da önemlidir. Son zamanlarda popüler hale gelen USG eşliğinde biyopsi alınması, özellikle teratomlar gibi birden fazla doku içeren kitlelerde yanıtıcı olabilmektedir. Bu olgu sunumunda, eksizyonel biyopsi sonucu teratom ile uyumlu olmasına rağmen, öncesinde alınan iğne biyopsi sonucu enfektif proses ile uyumlu lezyonu görünen 13 yaşındaki kız hastanın tartışılması amaçlanmıştır.

Hastamız 13 yaşında kız hasta. Adıyaman Eğitim ve Araştırma Hastanesi Kulak Burun ve Boğaz kliniğine sağ kulak arkasında 4 aydır geçmeyen şişlik, kızarıklık ve ağrı şikayeti ile başvurdu. Bazen şişliği artınca ağrısı ve kızarıklığı artıyormuş. Ara ara antibiyoterapi ve analjezik tedavi almış ve şikayetleri hafiflemiş. Fiziki muayenede sağ mastoid apex üzerinde hafif hiperemik, sert, hafif ağırlı 2 cm e yakın kitle saptandı. Yapılan USG de 1.5x2 cm lik kalsifikasyon içeren heterojen görünümlü kitle gelmesi üzerine İİAB yapıldı ve sonuç enfeksiyon process ile uyumlu geldi. Hastaya eksizyonel biyopsi önerildi ve kitle bütünüyle çıkarıldı. Sonuç germ hücreli tümör (teratom) olarak geldi.

Çocuklarda boyun kitlelerinin yönetimi hala düşünce birliği oluşturulabilmiş bir konu değildir. İğne biyopsisi boyun lezyonlarında değerli bir tanı aracıdır, ancak özellikle teratom gibi birçok farklı doku komponenti içeren lezyonlarda yanlış sonuç verebilir. Bundan dolayı teratom düşünülen bir başboyun kitlesinde eksizyonel biyopsi tercih edilmelidir.

Anahtar Kelimeler: Boyun kitleleri, Teratom, Germ hücreli tümör

**A CASE WITH HARD MASS-TERATOMA BACKGROUND: CASE
REPORT OF A PATIENT**

Abstract

In the differential diagnosis of neck masses in children, thyroglossal cyst, dermoid and epidermoid cysts, branchial cleft cysts and teratomas are found. Head and neck teratomas are rare and constitute 5% of all teratoma types. The approach to neck masses in children is still a controversial issue. For diagnosis, ultrasonography (USG), magnetic resonance imaging (MRI) or computed tomography (CT) can be used. Histological diagnosis is also important in these

patients to exclude malignancy. Taking USG-guided biopsy, which has become popular recently, can be misleading, especially in masses with multiple tissues, such as teratomas. In this case report, although the excisional biopsy result was compatible with teratoma, it was aimed to discuss a 13-year-old girl who had a lesion compatible with the infective process.

Our patient is a 13-year-old girl. He applied to the Otolaryngology Clinic of Adıyaman Training and Research Hospital with the complaint of swelling, redness and pain that did not pass for 4 months behind the right ear. Sometimes the pain and redness increased when the swelling increased. He received antibiotherapy and analgesic treatment occasionally and his complaints were alleviated. On physical examination, a slightly hyperemic, hard, slightly painful mass of about 2 cm was detected on the right mastoid apex. After the heterogeneous mass with 1.5x2 cm calcification came in USG, FNAB was performed and the result was compatible with the infection process. Excisional biopsy was recommended to the patient and the mass was completely removed. The result came as a germ cell tumor (teratoma).

The management of neck masses in children is still not an issue where consensus can be created. Needle biopsy is a valuable diagnostic tool in neck lesions, but it can give false results especially in lesions containing many different tissue components, such as teratomas. For this reason, excisional biopsy is preferred in a head neck mass in which teratoma is considered.

Keywords: Neck masses, Teratoma, Germ Cell Tumor

Dr. Öğr. Üyesi Osman ÜLKİR
Muş Alparslan Üniversitesi

Özet

Bu çalışmada, COMSOL yazılımı kullanılarak mikro elektromekanik sistem (MEMS) tabanlı mikro kirişin tasarımı ve analizi gerçekleştirilmiştir. Kiriş içerisinden geçen akım, termal genişleme yoluyla tüm mikro kirişi istenilen mesafeye iten direnci nedeniyle ısı enerjisini dağıtmaktadır. Bu genişleme, kiriş içerisinden geçen akım miktarına ve yayılan sıcaklığa bağlı olarak değişmektedir.

Mikro kiriş tek ekseninde (y-ekseni) hareket edebilecek biçimde tasarlanmıştır. Oluşturulan modelin amacı COMSOL yazılımı kullanılarak önerilen mikro kirişte yer değiştirmeye neden olmak için gereken akım miktarını ve sıcaklık artışını tahmin etmektir. Ayrıca farklı metalik malzemelerden (nikel ve platinyum) ve farklı giriş potansiyelleri (0.3V ve 0.6V) için mikro kirişte üretilen yer değiştirmeleri ve sıcaklık verileri rapor edilmiştir. Simülasyon çalışmaları sonucunda beklenildiği gibi gerilimin artırılması malzemelerdeki yer değiştirmeyi ve ortaya çıkan sıcaklığı artırmıştır. Malzemelerin yer değiştirme verileri arasında bir miktar fark var iken sıcaklıklar birbirine yakın çıkmıştır. 0.6V gerilim uygulandığında nikel ve platinyum için ortaya çıkan en yüksek yer değiştirme değerleri sırasıyla, 2.4 µm ve 1.76 µm iken; 0.3 V gerilimde nikel ve platinyum için sırasıyla, 1.13 µm ve 0.79 µm dir. Sonuç olarak, mikro kiriş tasarımında kullanılan nikelin platinyum ile kıyaslandığı zaman daha fazla miktarda yer değiştirme gözlemlenmiştir.

Anahtar Kelimeler: Mikro Elektromekanik Sistem, COMSOL, Mikro Kiriş, Yer Değiştirme

DESIGN AND DISPLACEMENT ANALYSIS OF MEMS BASED MICRO BEAM

Abstract

In this study, the design and analysis of the micro-electromechanical system (MEMS) based micro beam using COMSOL software. The current passing through the beam distributes the heat energy due to its resistance that pushes the entire micro beam to the desired distance through thermal expansion. This expansion varies depending on the amount of current passing through the beam and the emitted temperature. The micro beam is designed to move on one axis (y-axis). The purpose of the model created is to estimate the amount of current and temperature increase required to cause displacement in the proposed micro beam using COMSOL software. In addition, displacements and temperature data produced in micro beams for different metallic materials (nickel and platinum) and different input potentials (0.3V and 0.6V) have been reported. As expected as a result of the simulation studies, increasing the tension increased the displacement in the materials and the resulting temperature. While there was some difference between the displacement data of the materials, the temperatures appeared close to each other. When 0.6V voltage is applied, the highest displacement values for nickel and platinum are 2.4 µm and 1.76 µm, respectively; for nickel and platinum at 0.3 V voltage, it is 1.13 µm and 0.79 µm, respectively. As a result, it has been observed that the nickel used in the micro beam design gives a greater amount of Displacement compared to platinum.

Keywords: Micro Electromechanical System, COMSOL, Micro Beam, Displacement

1. GİRİŞ

Mikro-Elektromekanik-Sistemler (MEMS), mekanik ve elektrikli bileşenleri birleştiren küçük entegre cihazlar veya sistemler oluşturmak için kullanılan bir proses teknolojisidir [1,2]. Entegre devre (IC), toplu işleme teknikleri kullanılarak üretilirler ve boyut olarak birkaç mikrometreden milimetreye kadar değişebilirler. Bu cihazlar veya sistemler mikro ölçekte algılama, kontrol etme, harekete geçirme ve makro ölçekte etkiler oluşturma yeteneğine sahiptir [3,4].

MEMS en genel haliyle, silikon çip cihazlarına entegre edilen mekanik mikro yapılar, mikro sensörler, mikro iletkenler ve mikro elektroniklerden oluşmaktadır. MEMS cihazların bileşenleri genellikle mikroskobiktir. Kaldıraçlar, dişliler, pistonlar, motorlar ve buhar motorları MEMS tarafından imal edilmektedir [5-7]. Bununla birlikte, MEMS sadece mekanik bileşenlerin minyatürleştirilmesi veya silikondan bir şeyler yapılmasıyla ilgili değildir. MEMS, karmaşık mekanik cihaz ve sistemlerin yanı sıra, toplu üretim tekniklerini kullanarak entegre elektroniklerinin tasarlanması ve oluşturulması için geliştirilen bir üretim teknolojisidir [8].

MEMS cihaz teknolojisinin kullanılmasıyla birlikte yeni üretim süreçlerinin, çeşitli opto elektronik cihazlarda kullanılacak yarı iletken cihazların ve mikro ölçekli dirençlerin genişletilmesine büyük önem verilmiştir. 1980'lerin sonlarına doğru ortaya çıkan mikro işleme teknolojisi, mevcut büyük aktüatörlerin yerini mikro ölçekli eşdeğer cihazlarla daha verimli bir biçimde değiştirdi [9]. Elektromekanik kuplaj, mikro mekanik yapıları hareket geçirmek, kontrol etmek, mikron ve mikron altı partiküllerden nano yapılandırılmış malzemeler üretmek için yaygın olarak kullanılmaktadır.

Mikro kırımlar genellikle elektronik pakete dahil olan entegre devre çiplerinde üretilen gerilim gibi geri kalan gerilimin doğru ölçümü için kullanılır. Ayrıca, mikro kırımlar, termal olarak çalıştırılan sensörleri, jiroskopları ve mikro motorları, rezonatörleri kontrol amacıyla ve çok çeşitli endüstriyel uygulamaları mikro kaynaklamak için aktüatör olarak kullanılır [10-12]. Elektrik akımı bir malzemenin tamamen geçtiğinde, malzemenin elektriksel direnç özelliği nedeniyle ısı enerjisi ortaya çıkar. Bu ısı enerjisi malzemeyi ısıtır ve termal gerilmeyi indükler.

İnce filmlerde ve çok katmanlı tabaklardaki gerilmelerin üç temel kaynağı vardır: yapısal, termal ve mekanik. Yapısal ve termal gerilmelere genellikle geriye kalan gerilmeler denilmektedir. Film ve kaplama malzemesi (veya çok katmanlı bir katmandaki katmanlar) farklı termal genişleme katsayılarına (CTE) sahip olduğunda sıcaklık değişiklikleri nedeniyle gerilmeler ortaya çıkar. Bazı sistemler için, bu gerilme değerleri çok büyük olabilir (birkaç GPa) ve genellikle mekanik arıza için harekete geçirici güç sağlarlar. Sıcaklık biriktirme sıcaklığından farklı olduğunda, geriye kalan gerilmeler hem yapısal hem de termal katkıları içerir [13].

İndüklenen gerilme malzemeyi yükler ve akımın geçtiği yapıyı deforme eder. Termal genişleme, içinden geçen akım miktarına ve yayılan sıcaklığa bağlıdır. Mikro kırım uygulaması, iletken katmanlardan uygun büyüklükte akım ileterek tüm kırımları istenen mesafeye taşımak ve termal genişleme yoluyla yer değiştirmeye yol açan bir sıcaklık artışı oluşturmaktır. Bu modelin amacı, COMSOL yazılımı kullanılarak önerilen mikro kırımın yer değiştirmeye neden olmak için gereken akım miktarını ve sıcaklık artışını tahmin etmektir. COMSOL MultiFizik yazılımı, farklı potansiyellerde farklı metal malzemelerden yapılmış mikro kırımın modellenmesi ve simüle etmek için seçilmiştir. Bu yazılım mevcut tasarım için son derece gerekli olan termal, elektriksel ve yapısal analizlerin birleştirilmesini kolaylaştırmaktadır.

Bu çalışmada COMSOL kullanılarak mikro giriş tasarımı ve analizi gerçekleştirilmiştir. Önerilen model de, uygulanan elektrik potansiyelleri sonucunda yer değiştirmeler ve sıcaklık verileri analiz edilmiştir. Farklı potansiyeller (0.3V, 0.6V) ve malzemeler (nikel ve platinyum) için mikro girişte oluşan yer değiştirmeler ve sıcaklık değerleri incelenmiştir.

2. MATERYAL VE YÖNTEM

2.1. Tasarım koşulları

Nikel ve platinyum metalleri kullanılarak tasarlanan mikro girişin uzunluğu 260 µm, yüksekliği ve genişliği ise 20 µm dir. Bu tasarım ile malzemelerin sıcaklık ve yer değiştirme analizleri gerçekleştirilmiştir. Mikro girişin iki ucundaki destek noktaları bir substrata sıkıca bağlanır. Destek noktaları arasına pad'ler üzerinden uygulanan 0.3V ve 0.6V gerilimde bir elektrik potansiyeli elektrik akımı oluşturur. Malzemelerin öz direnci nedeniyle, ortaya çıkan akım modeli ısıtmaktadır. Mikro giriş açık alanda çalıştığı için, üretilen ısı havaya dağılır. Termal olarak indüklenen gerilim malzemeyi yükler ve girişini deforme eder. İlk yaklaşım olarak, elektrik iletkenliğinin sabit olduğunu varsayabiliriz. Ancak, bir iletkenin direnci sıcaklıkla artmaktadır. Direnç ve sıcaklık arasındaki ilişki geniş bir sıcaklık aralığında yaklaşık olarak doğrusaldır.

COMSOL kullanılarak 3D (3 boyutu düzlem) olarak tasarlanan mikro girişin geometrik yapısı Şekil 1'de gösterilmiştir. Önerilen geometrik yapıya metalik malzeme ilavesi gerçekleştirilmiştir. Mevcut tüm veri tabanlarına göz atarken belirli bir malzeme seçilir ve seçilen malzemeye özellikler atanır. Bu çalışma için malzeme tarayıcısından nikel (Ni) ve platinyum (Pt) seçilmiştir. Bu malzemeler, önemli fiziksel ve elektriksel özellikleri nedeniyle MEMS alanında fonksiyonel malzeme olarak kullanılmaktadır. Malzemelerin analiz aşamasında kullanılan fiziksel özellikleri Tablo1-2'de verilmiştir.

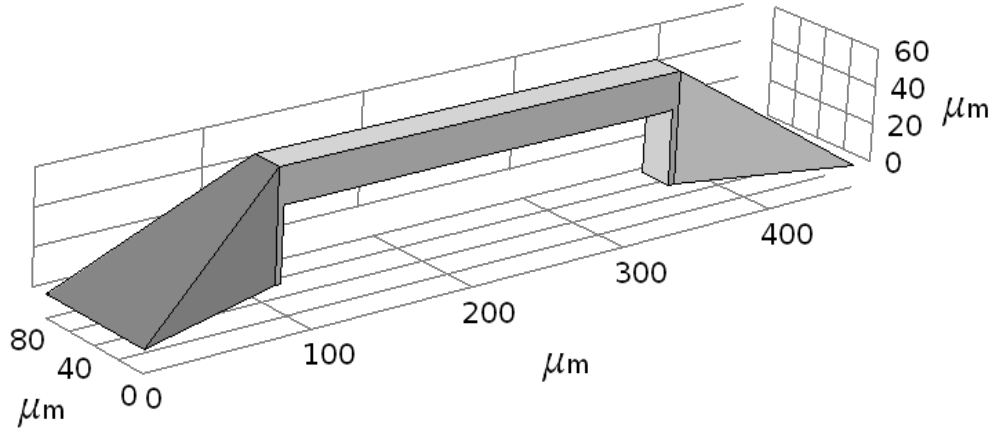
Tablo 1. Nikelin fiziksel özellikleri

Özellik	Değeri	Birimi
Referans öz direnci	6.48×10^{-8}	$\Omega.m$
Özdirenç sıcaklık katsayısı	0.00641	1/K
Referans sıcaklık	293	K
Yoğunluk	8900	Kg/m^3
Young modülü	219×10^9	Pa
Poisson oranı	0.31	-

Tablo 2. Platinyumun fiziksel özellikleri

Özellik	Değeri	Birimi
Referans öz direnci	1.06×10^{-8}	$\Omega.m$
Özdirenç sıcaklık katsayısı	0.003927	1/K
Referans sıcaklık	293	K
Yoğunluk	21450	Kg/m^3
Young modülü	168×10^9	Pa
Poisson oranı	0.38	-

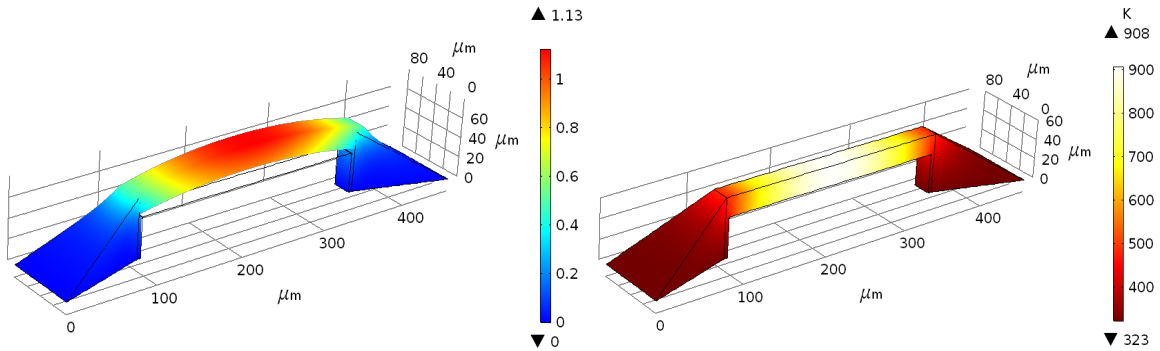
Bu çalışma termal, elektriksel ve yapısal analizleri tek bir modelde birleştirme yeteneğini göstermektedir. Uygulama ile bir mikro giriş içerisinde akım geçirilerek hareket sağlanır; akım ile ısı üretilir ve sıcaklık artışı termal genleşme yoluyla yer değiştirmeye yol açar. Model, girişin yerini değiştirmek için ne kadar akım ve sıcaklık artışı gerektiğini tahmin eder.



Şekil 1. Tasarlanan mikro kiriş

3. BULGULAR

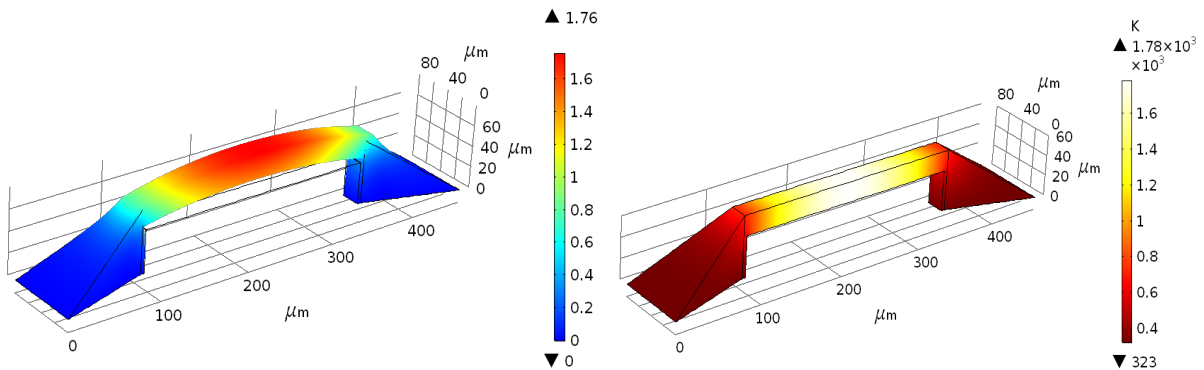
Simülasyon işlemi iki aşamada gerçekleştirildi, başlangıçta nikel mikro kiriş tasarlandı ve yer değiştirmesi için farklı giriş potansiyeli için gerçekleştirildi. İkinci aşamada ise benzer giriş potansiyelleri için nikel malzeme yerine platinyum kiriş için yer değiştirmeler gerçekleştirildi. Her iki uçtaki mikro kirişin destek noktaları bir substrata sabitlenir ve pad'ler üzerinden elektrik potansiyeli uygulanır. Uygulanan elektrik potansiyeli, mikro kiriş de bir elektrik akımı indükler; yapıdan geçen akım, enerjinin ısı şeklinde yayıldığı elektronların akışında bir miktar yavaşlamaya neden olur. Bu üretilen ısı kiriş üzerindeki termal gerilimi indükler ve kirişin yer değiştirmesine neden olur. Nikel malzemeden yapılan mikro kirişin destek noktaları arasında sırasıyla 0.3V ve 0.6V'luk elektrik potansiyel uygulandığında ortaya çıkan yer değiştirme miktarı ve kirişteki sıcaklık dağılımı Şekil 2-3'de gösterilmiştir.



(a) Toplam yer değiştirme

(b) Toplam sıcaklık dağılımı

Şekil 2. 0.3V gerilim uygulandığında nikel deki yer değiştirme ve sıcaklık verileri

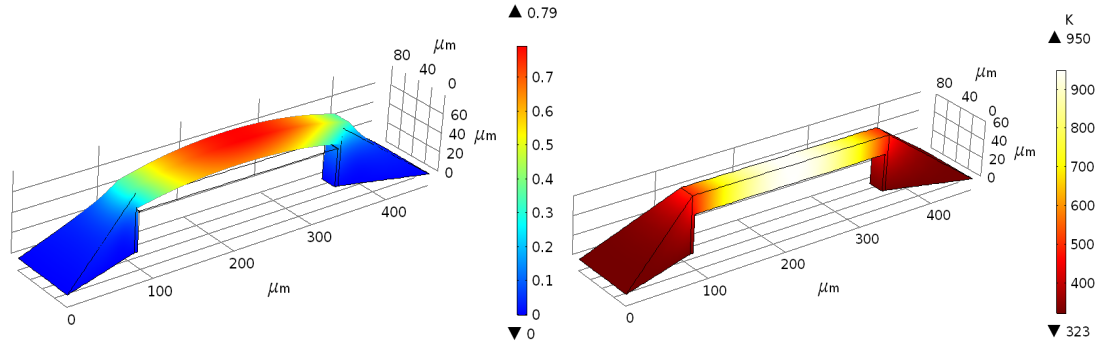


(a) Toplam yer değiştirme

(b) Toplam sıcaklık dağılımı

Şekil 3. 0.6V gerilim uygulandığında nikeldeki yer değiştirme ve sıcaklık verileri

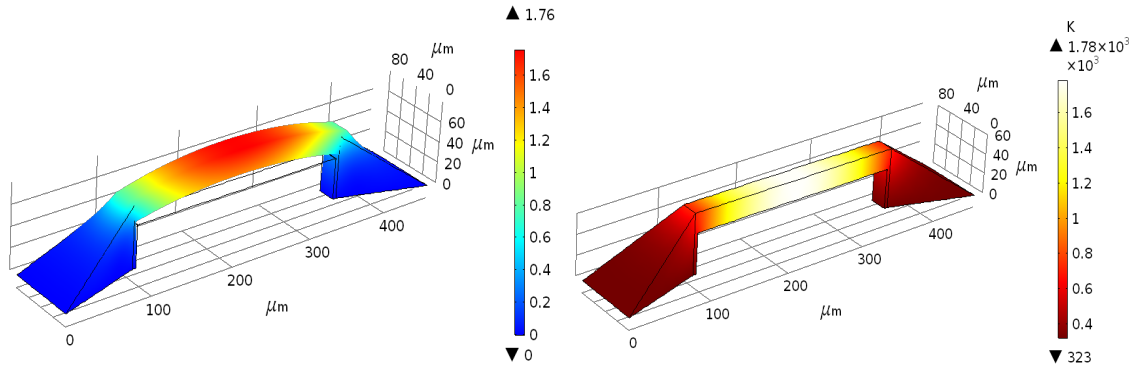
Platinyum malzemeden yapılan mikro kırışın destek noktaları arasında sırasıyla 0.3V ve 0.6V'luk elektrik potansiyel uygulandığında ortaya çıkan yer değiştirme miktarı ve kırışteki sıcaklık dağılımı Şekil 4-5'de gösterilmiştir.



(a) Toplam yer değiştirme

(b) Toplam sıcaklık dağılımı

Şekil 4. 0.3V gerilim uygulandığında platinyumdaki yer değiştirme ve sıcaklık verileri



(a) Toplam yer değiştirme

(b) Toplam sıcaklık dağılımı

Şekil 5. 0.6V gerilim uygulandığında platinyumdaki yer değiştirme ve sıcaklık verileri

Modellemesi gerçekleştirilen mikro kırışe nikel ve platinyum malzemeleri uygulanarak analizleri gerçekleştirilmiştir. Analiz işlemleri her bir malzemeye uygulanan değişken elektrik potansiyelleri ile gerçekleştirilmiştir. Öncelikle, kırış içerisinde akım geçirilerek ortaya çıkan yer değiştirme miktarı üzerinde gözlem yapılmıştır. Aşağıdaki tablolarda metal malzemelerde ortaya çıkan yer değiştirme miktarı ve sıcaklık verisi gösterilmiştir.

Tablo 2. 0.3V gerilim uygulanması sonucu elde edilen veriler

Malzeme	Yer Değiştirme [μm]	Sıcaklık [K]
Nikel	1.13	908
Platinyum	0.79	950

Tablo 3. 0.6V gerilim uygulanması sonucu elde edilen veriler

Malzeme	Yer Değiştirme [μm]	Sıcaklık [K]
Nikel	2.4	1630
Platinyum	1.76	1780

4. SONUÇLAR

MEMS tabanlı mikro giriş COMSOL MultiFizik yazılımı kullanılarak tasarlanmıştır. Giriş içerisinden geçen akım termal genleşme yoluyla yer değiştirmeye ve sıcaklık üretimine neden olmuştur. Termal, elektriksel ve yapısal analizlerin birleştirilmesi, mikro girişin yer değiştirmeye uğraması için gereken akım ve sıcaklık artışını tahmin etmeyi mümkün kılmıştır.

Aynı tasarıma sahip iki farklı metalik mikro giriş için üretilen yer değiştirme miktarları, farklı giriş potansiyelleri ile gerçekleştirilmiştir. Sonuçların analizi, nikel metalik mikro girişin diğer malzemeye göre önerilen geometri için önemli miktarda yer değiştirme verdiğini göstermiştir. Bu model, biyomedikal alanda potansiyel uygulamalar içeren tüm mikro ölçekli cihazlar için baskın yer değiştirmeleri bulabilecektir.

KAYNAKLAR

[1] Crescenzi R., Balucani M. ve Belfiore N.P., Operational characterization of CSFH MEMS technology based hinges, *Journal of Micromechanics and Microengineering*, 28 (5), 14-21, 2018.

[2] Lifton A., Lifton V. ve Simon G., Options for additive rapid prototyping methods (3D printing) in MEMS technology. *Rapid Prototyping Journal*, 20 (5), 403-412, 2014.

[3] Morris A., Monolithic integration of RF-MEMS within CMOS. In 2015 International Symposium on VLSI Technology, Systems and Applications, 2015.

[4] Fischer A. C., Forsberg F., Lapisa M. ve diğerleri. Integrating MEMS and ICs. *Microsystems & Nanoengineering*, 1, 15005, 2015.

[5] Ertugrul I., Akkus N. ve Yüce H., Fabrication of MEMS based electrothermal microactuators with additive manufacturing Technologies, *Materiali in tehnologije*, 53 (5), 665-670, 2019.

[6] Tilli M., Paulasto-Krockel M., Motooka T. ve Lindroos V., *Handbook of silicon based MEMS materials and Technologies*, 2015.

[7] Olszewski O. Z., Houlihan R., O’Keeffe R. ve diğerleri. A MEMS silicon-based piezoelectric AC current sensor. *Procedia Engineering*, 8 (7), 1457-1460, 2014.

[8] Philippe J., Technology development and analysis of a multiphysic system based on NEMS co-integrated with CMOS for mass detection application (Doctoral dissertation), 2014.

[9] Pirouznia P. ve Ganji B.A., Analytical optimization of high performance and high quality factor MEMS spiral inductor. *Progress In Electromagnetics Research*, 34, 171-179, 2014.

[10] Hikmat O.F. ve Ali, M.S.M., RF MEMS inductors and their applications—A review. *Journal of Microelectromechanical Systems*, 26 (1), 17-44, 2016.

[11] Marek J., MEMS for automotive and consumer electronics. *IEEE International Solid-State Circuits Conference-(ISSCC)*, 9-17, 2010.

[12] Arora S., Arora A. ve George P.J., Design of MEMS based microcantilever using comsol multiphysics. *International Journal of Applied Engineering Research*, 7 (11), 1-3, 2012.

[13] Reddy V.M. ve Kumar G.S., Design and analysis of microcantilevers with various shapes using comsol multiphysics software. *International Journal of Emerging Technology and Advanced Engineering*, 3 (3), 2013.

**ELEKTROSTATİK KONTROLLÜ MİKRO-AYNANIN YER DEĞİŞTİRMESİNİ
ANALİZ ETMEK İÇİN BİR COMSOL MODELİ**

Dr. Öğr. Üyesi Osman ÜLKİR
Muş Alparslan Üniversitesi

Özet

Günümüzde, optik anahtar matrisleri, lazer tarama ekranları ve biyomedikal görüntüleme sistemleri gibi biyomedikal ve endüstriyel uygulamalar, mikro elektromekanik sistemler (MEMS) teknolojisi kullanılarak üretilen mikro-aynalar ile gerçekleştirilmektedir. Bu makalede, kare biçiminde bir mikro-aynanın çalışma mekanizmasının yapısal mekanik özellikleri, ön gerilmeli konsol kirişini simüle eden dört yay kullanılan yapının yer değiştirmesiyle birlikte COMSOL modeli üzerine çalışılmıştır. Mikro-ayna modelin de üç farklı malzeme seçimi yapılmıştır. Bunlar, alüminyum (Al) ve gümüş (Ag) ve bakır (Cu) dır. Bu malzemeler hem mekanik hem de elektriksel özellikleri nedeniyle mikro cihazların üretiminde sıkça tercih edilmektedir. Mikro-aynanın tasarımında mevcut olan dış çubuk ve konsol mekanizmaların daha verimli hale getirilmesi ve yer değiştirme gerilimini daha da azaltmak için yapısal çelik yukarıdaki malzemeler ile birlikte kullanılmıştır. Simülasyon çalışmaları için mikro-ayna modeline 3GPa basınç uygulanmış ve yer değiştirmeleri gözlemlenmiştir. Sonuç olarak, mikro-ayna tasarımında kullanılan alüminyumun diğer malzemeler ile kıyaslandığında daha fazla miktarda yer değiştirdiği gözlemlenmiştir.

Anahtar Kelimeler: Mikro Elektromekanik Sistem, Mikro-Ayna, COMSOL, Elektrostatik Çalışma, Yer Değiştirme

**A COMSOL MODEL TO ANALYZE THE DISPLACEMENT OF ELECTROSTATIC
CONTROLLED MICRO-MIRROR**

Abstract

Today, biomedical and industrial applications such as optical key matrices, laser scanning screens and biomedical imaging systems are carried out with micro-mirrors produced using micro electromechanical systems (MEMS) technology. In this article, the structural mechanical properties of the operating mechanism of a square micro-mirror were studied on the COMSOL model with the displacement of the structure using four springs simulating the pre-stressed cantilever beam. Three different materials were selected for the micro-mirror model. These are aluminum (Al) and silver (Ag) and copper (Cu). These materials are frequently preferred in the production of micro devices due to their mechanical and electrical properties. Structural steel was used in conjunction with the above materials to make the outer rod and cantilever mechanisms available in the design of the micro-mirror more efficient and further reduce displacement stress. For simulation studies, 3GPa pressure was applied to the micro-mirror model and displacements were observed. As a result, it has been observed that the aluminum used in the micro-mirror design has changed more than the other materials.

Keywords: Micro Electromechanical System, Micro-Mirror, COMSOL, Electrostatic Driven, Displacement

GİRİŞ

Mikro elektromekanik sistemler (MEMS) en genel haliyle, silikon çip cihazlarına entegre edilen mekanik mikro yapılar, mikro sensörler, mikro iletkenler ve mikro elektroniklerden oluşmaktadır. MEMS cihazların bileşenleri genellikle mikroskobiktir. Kaldıraçlar, dişliler, pistonlar, kirisler, rezonatörler, akselerometreler, motorlar ve buhar motorları MEMS tarafından imal edilmektedir [1-3].

Bununla birlikte, MEMS sadece mekanik bileşenlerin minyatürleştirilmesi veya silikondan bir şeyler yapılmasıyla ilgili değildir. MEMS, karmaşık mekanik cihaz ve sistemlerin yanı sıra, toplu üretim tekniklerini kullanarak entegre elektroniklerinin tasarlanması ve oluşturulması için geliştirilen bir üretim teknolojisidir. İndükatörler, RF cihazlar, biyo çipler, basınç sensörleri ve kapasitörler gibi elektrikli bileşenler, MEMS ve Nanoteknoloji kullanılarak üretildikleri zaman entegre muadillerine göre önemli ölçüde geliştirilebilir [4,5].

Birçok alanda kullanılan MEMS teknolojisi son zamanlarda optik uygulamalar için de ciddi biçimde kullanılmaya başlanmıştır. Optik uygulamalar için yüksek talep gören MEMS cihazları, bir endoskop için optik koherens tomografi (OCT), iletişim için optik anahtar dizileri, konfokal lazer tarama mikroskopisi (CLSM) ve dijital mikro cihaz (DMD) için dijital mikro-ayna cihazlarıdır [6,7].

Mikro-ayna cihazları, milimetre cinsinden boyutu mikroskobik, yaygın olarak bilinen küçük aynalara dayanan cihazlardır. Aynalar mikro elektromekanik (MEMS) sistemlerdir. Bu aynalar, durumlarının ayna dizilerinin etrafındaki iki elektrot arasına bir gerilim uygulanarak kontrol edilmesi yoluyla kullanılan MEMS cihazlarıdır. MEMS mikro-aynaların çalıştırılması elektrostatik, manyetik, termal veya piezoelektrik mekanizması kullanılarak gerçekleştirilebilir [8,9].

Işık sapması ve kontrolü için sıvı kristal ekranlar (LCD)'da, LED ve optiklerde mikro ayna cihazlar kullanılmaktadır. Aynalar bir matriste düzenlenmiştir ve "1" veya "0" (dijital) olmak üzere iki duruma sahiptir. Aynalar sadece iki durum arasında değiştirilemez, dönüşleri sürekli bir şekilde olmaktadır. Bu durum, gelen ışık yoğunluğunu ve yönünü kontrol etmek için kullanılabilir. Bozulmayı en aza indirgeyen mikro-aynaların belirlenmesini sağlamak için çeşitli ayna tasarımları gerçekleştirilmiştir. Kare, dairesel ve altıgen şekilli mikro-aynaların farklı şekilleri tasarlanır ve bu mikro-ayna modelleri COMSOL yazılımı kullanılarak simüle edilir [10]. Mikro-aynayı bozmak için elektrostatik çalışma kullanılır. Kaldırma sırasında mikro-aynanın çalışmasında en önemli parametre yüzey deformasyonudur. Bu durumda ayna deformasyonunun azaltmak, yani kaldırma sırasında düz yüzeyi üstte tutmak için tasarlanmıştır, böylece bozulma en aza indirilebilir. Bu nedenle, üç farklı şekilli mikro-aynanın sonuçları, kalkma nedeniyle mikro-aynanın kenarları boyunca daha az uyarılmış gerilme, kalkma sırasında en az yüzey deformasyonu ve mikro-aynanın maksimum yer değiştirmesi açısından analiz edilir.

Bu çalışmada, MEMS tabanlı kare şekilli bir mikro-ayna cihazının COMSOL yazılımı ile tasarımı ve basınç-yer değiştirme analizi gerçekleştirilmiştir. Bu cihaz farklı malzemeler ile kaplanmıştır. Bu malzemeler alüminyum, gümüş ve bakır dır. Her bir malzeme için basınç-yer değiştirme analizi yapılarak nasıl performans gösterdiğini ve konsol kirisle desteklendiğini göstereceğiz.

MATERYAL VE YÖNTEM

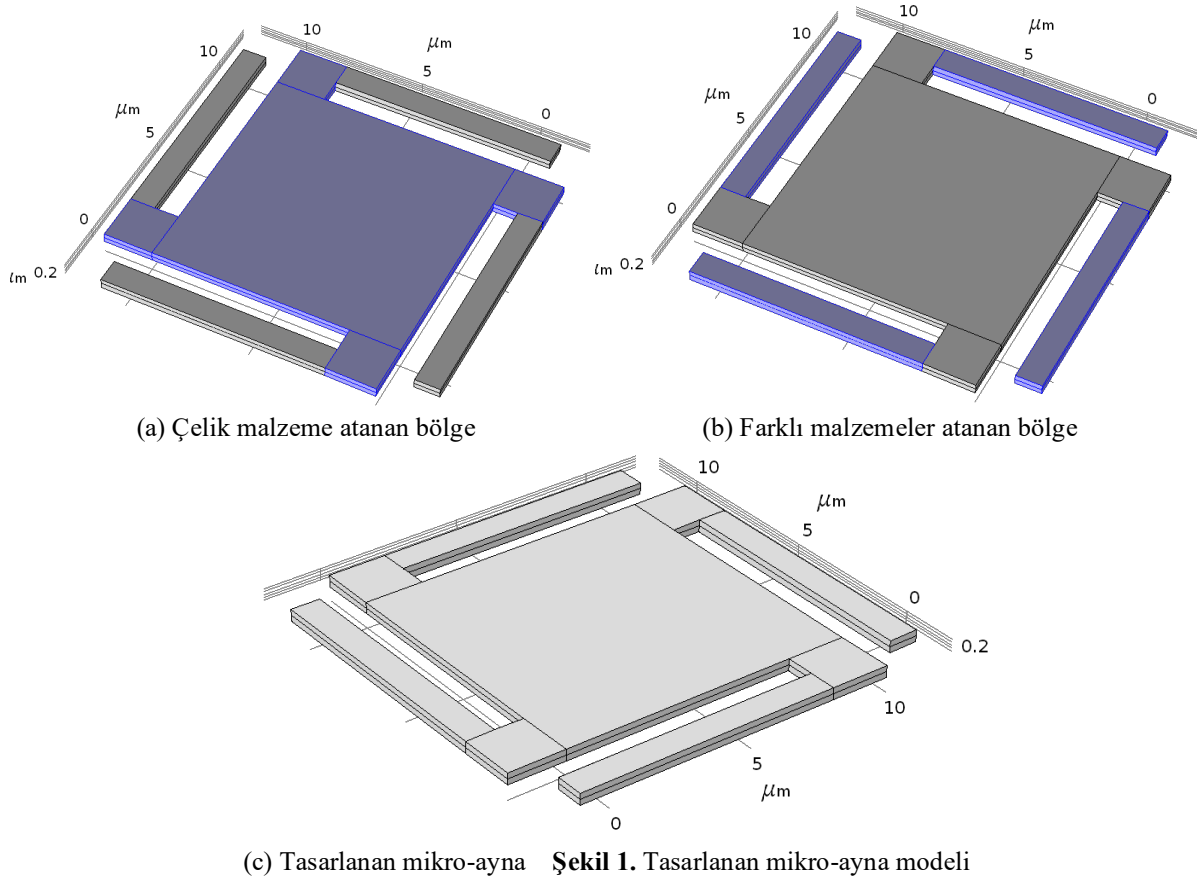
Tasarım koşulları

MEMS tabanlı mikro-ayna cihazı kare biçiminde ve 2 farklı malzemeden tasarlanmaktadır. Bunlardan merkezdeki malzeme çelik olarak seçilmiştir. Çelik plakanın etrafındaki çubuklar ise alüminyum, gümüş ve bakır metalleri kullanılarak tasarlanmıştır. Çelik plaka 10x10 mikron boyutlarında ve toplam kalınlığı 0.4 mikron dur. Dıştaki çubuklar ise 2x11 mikron ölçülerinde tasarlanmıştır. Bu tasarım ile malzemelerin yer değiştirme analizleri gerçekleştirilmiştir.

COMSOL kullanılarak 3B olarak tasarlanan mikro-aynanın geometrik yapısı Şekil 1’de gösterilmiştir. Önerilen geometrik yapıya metalik malzeme ilavesi gerçekleştirilmiştir. Mevcut tüm veri tabanlarına göz atarken belirli bir malzeme seçilir ve seçilen malzemeye özellikler atanır. Bu çalışma için malzeme tarayıcısından alüminyum, gümüş, bakır ve yapısal çelik seçilmiştir. Bu malzeme türleri önemli fiziksel ve elektriksel özellikleri nedeniyle MEMS alanında fonksiyonel malzeme olarak kullanılmaktadır. Malzemelerin analiz aşamasında kullanılan fiziksel özellikleri Tablo 1’de verilmiştir.

Tablo 1. Malzemelerin fiziksel özellikleri

Özellik	Alüminyum	Gümüş	Bakır	Birimi
Referans öz direnci	2.82×10^{-8}	1.59×10^{-8}	1.72×10^{-8}	$\Omega.m$
Özdirenç sıcaklık katsayısı	0.00395	0.0038	0.0039	1/K
Referans sıcaklık	293	293	293	K
Yoğunluk	2700	10500	8960	Kg/m^3
Young modülü	70×10^9	83×10^9	120×10^9	Pa
Poisson oranı	0.35	0.37	0.34	-

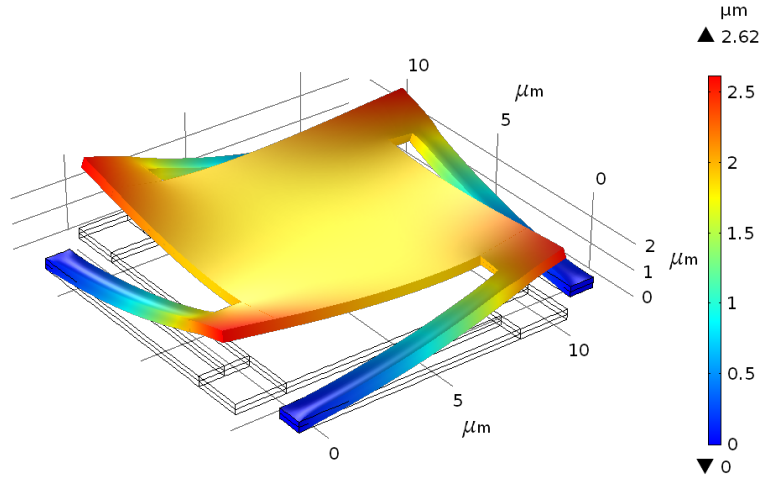


(c) Tasarlanan mikro-ayna Şekil 1. Tasarlanan mikro-ayna modeli

BULGULAR

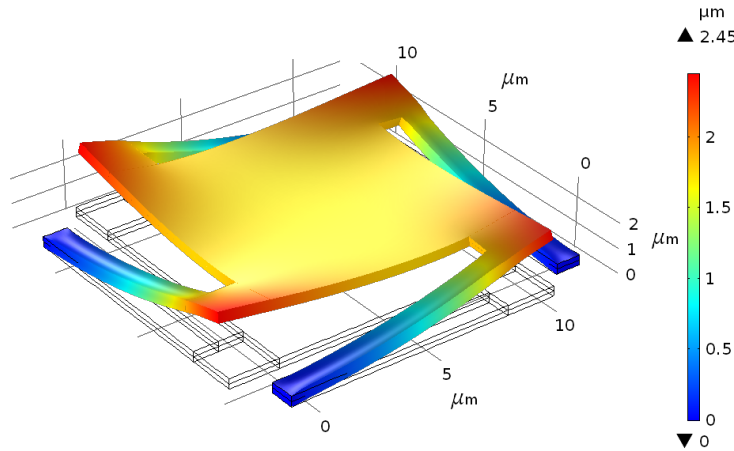
Simülasyon, imalat aşamalarından önce normal olarak tüm MEMS cihazlarını simüle etmek için kullanılan yazılımlardan biri olarak bilinen COMSOL kullanılarak yapılmıştır. Simülasyona başlamadan önce mikro-ayna malzemeleri incelenmiş ve seçilmiştir. COMSOL kütüphanesindeki mevcut materyaller arasından seçilen materyaller Tablo 1’de sunulmuştur. Simülasyonda kullanılan model COMSOL’daki mevcut öğreticilerden birinden seçilmiştir. Bu simülasyonda ilk giriş basıncı, programda önerilen değerinden tavsiye edilen 3 GPa ayarlanmıştır.

Simülasyon işlemi iki aşamada gerçekleştirildi, başlangıçta alüminyum mikro-ayna 3B olarak tasarlandı ve yer değiştirmesi 3 GPa giriş basıncı için gerçekleştirildi. İkinci aşamada ise benzer giriş değeri için alüminyum malzeme yerine gümüş ve bakır mikro-ayna için yer değiştirmeler gerçekleştirildi. Alüminyum ve yapısal çelik plakalardan yapılan mikro-aynaya 3 GPa giriş basıncı uygulandığında ortaya çıkan yer değiştirme miktarları Şekil 2’de gösterilmiştir.



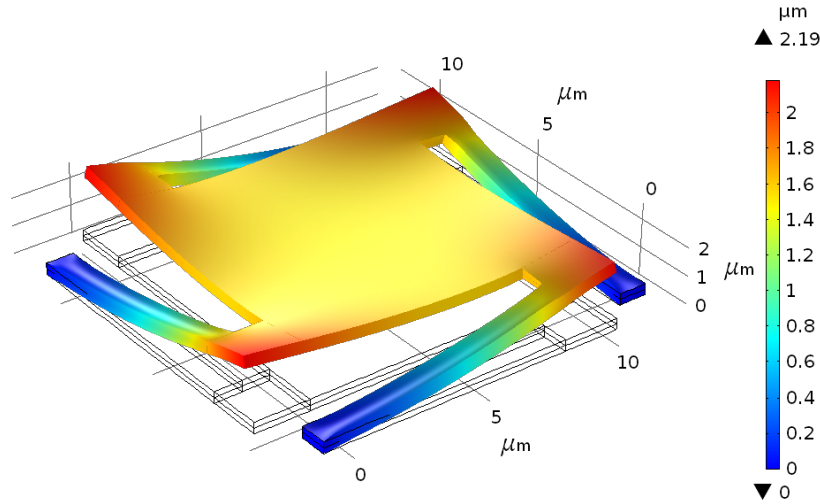
Şekil 2. Alüminyum ve yapısal çelik malzemeden yapılan mikro-aynanın yer değiştirme verileri

Gümüş ve yapısal çelik plakalardan yapılan mikro-aynaya 3 GPa giriş basıncı uygulandığında ortaya çıkan yer değiştirme miktarları Şekil 3’de gösterilmiştir.



Şekil 3. Gümüş ve yapısal çelik malzemeden yapılan mikro-aynanın yer değiştirme verileri

Bakır ve yapısal çelik plakalardan yapılan mikro-aynaya 3 GPa giriş basıncı uygulandığında ortaya çıkan yer değiştirme miktarları Şekil 4’de gösterilmiştir.



Şekil 4. Bakır ve yapısal çelik malzemeden yapılan mikro-aynanın yer değiştirme verileri

Modellemesi gerçekleştirilen mikro-aynaya alüminyum, gümüş ve bakır malzemeleri uygulanarak analizleri gerçekleştirilmiştir. Analiz işlemleri her bir malzemeye uygulanan 3 GPa sabit basınç değeri ile gerçekleştirilmiştir. Tüm malzeme seçimi için simülasyon sonuçları Tablo 2’de gösterilmiştir.

Tablo 2. 0.3V gerilim uygulanması sonucu elde edilen veriler

Mikro-Ayna Malzemeleri	Konsol Malzemeleri	Yer Değiştirme [μm]	Gerilme Seviyesi
Alüminyum	Yapısal Çelik	2.62	0.2544
Gümüş	Yapısal Çelik	2.45	0.1856
Bakır	Yapısal Çelik	2.19	0.1526

SONUÇLAR

MEMS tabanlı mikro-ayna COMSOL yazılımı kullanılarak tasarlanmıştır. Aynaya uygulanan basınç yer değiştirmeye neden olmuştur. Ortaya çıkan bu yer değiştirme bazı MEMS cihazlarında optik elemanları kontrol etmek için kullanılmaktadır. Mikro-ayna cihazı kare biçiminde ve 2 farklı malzemeden tasarlanmaktadır. Bunlardan merkezdeki malzeme yapısal çelik olarak seçilmiştir. Çelik plakanın etrafındaki çubuklar ise alüminyum, gümüş ve bakır metalleri kullanılarak tasarlanmıştır.

Aynı tasarıma sahip 3 farklı metalik mikro-ayna için üretilen yer değiştirme miktarları, aynı giriş basınç değerleri ile gerçekleştirilmiştir. Sonuçların analizi, alüminyum metalik mikro-aynanın diğer malzemelere göre önerilen geometri için diğer malzemelere göre yüksek yer değiştirme verdiğini göstermiştir. Bu sebeple yüksek yer değiştirme ihtiyacı duyulan mikro-ayna uygulamalarında alüminyum ve yapısal çelik kombinasyonunun kullanılması daha uygundur.

KAYNAKLAR

Iannacci, J., Huhn, M., Tschoban, C., & Pötter, H. (2016). RF-MEMS technology for future mobile and high-frequency applications: reconfigurable 8-bit power attenuator tested up to 110 GHz. *IEEE Electron Device Letters*, 37(12), 1646-1649.

[14] Joshi, V., Parkhurst, R., Morrell, L., & Tornatta, P. (2013, October). MEMS Solutions in RF applications. In 2013 IEEE SOI-3D-Subthreshold Microelectronics Technology Unified Conference (S3S) (pp. 1-2). IEEE.

[15] Ghayesh, M. H., Farokhi, H., & Amabili, M. (2013). Nonlinear behaviour of electrically actuated MEMS resonators. *International Journal of Engineering Science*, 71, 137-155.

[16] Lessing, J., Glavan, A. C., Walker, S. B., Keplinger, C., Lewis, J. A., & Whitesides, G. M. (2014). Inkjet Printing of conductive inks with high lateral resolution on omniphobic “Rf paper” for paper-based electronics and MEMS. *Advanced Materials*, 26(27), 4677-4682.

[17] Pengwang, E., Rabenoroso, K., Rakotondrabe, M., & Andreff, N. (2016). Scanning micromirror platform based on MEMS technology for medical application. *Micromachines*, 7(2), 24.

[18] Reisinger, B., Reinprecht, M., Pürstinger, J., Moser, A., Böhm, G., & Bauer, F. (2015). Potentials of MEMS-based scanners and DMD arrays with high luminance LED and Laser light sources. *ISAL*, 473-482.

[19] Rueda, H., Arguello, H., & Arce, G. R. (2015). DMD-based implementation of patterned optical filter arrays for compressive spectral imaging. *JOSA A*, 32(1), 80-89.

[20] Han, S., Ji, C. H., Park, J. H., & Bu, J. U. (2016, July). Thermal stability simulation of MEMS micro scanner: Multi-physics simulations coupled with experimental verifications. In 2016 6th International Conference on Simulation and Modeling Methodologies, Technologies and Applications (SIMULTECH) (pp. 1-5). IEEE.

[21] Chen, H., Pallapa, M., Sun, W. J., Sun, Z. D., & Yeow, J. T. W. (2014). Nonlinear control of an electromagnetic polymer MEMS hard-magnetic micromirror and its imaging application. *Journal of Micromechanics and Microengineering*, 24(4), 045004.

[22] Arevalo, A., Ilyas, S., Conchouso, D., & Foulds, I. G. (2014). Simulation of a Polyimide Based Micromirror. In 2014 COMSOL Conference.

**MAS INTERNATIONAL EUROPEAN CONFERENCE ON
MATHEMATICS-ENGINEERING-NATURAL & MEDICAL SCIENCES-XII**

**STUDENTS' MATHEMATICS PERFORMANCE, ENGAGEMENT
AND INFORMATION AND COMMUNICATION TECHNOLOGY
COMPETENCIES IN A FLIPPED CLASSROOM ENVIRONMENT**

Ryan Jay Bernales Gumban

Malinao High School Extension- Gastav Campus, Gastav, Banisilan, Cotabato, Department
of Education, 9416 Philippines

Denis Abao Tan

Central Mindanao University, University Town, Musuan, Bukidnon, 8710 Philippines

Abstract

An investigation was conducted to ascertain the effectiveness of the Flipped Classroom in the mathematics performance, engagement, and ICT competencies of the Grade 9 students of Malinao High School Extension- Gastav Campus. Specifically, the study sought to: (1) identify the level of mathematics performance of the students when exposed to flipped classroom; (2) determine the level of students' engagement in Mathematics with the use of flipped classroom; (3) ascertain the level of students' ICT competencies with the use of flipped classroom; (4) differentiate the level of Mathematics performance of the students with the integration of flipped classroom; (5) find out if there is a significant difference in students' level of engagement in Mathematics with the integration of flipped classroom; (6) distinguish if there a significant difference in students' ICT Competencies with the integration of flipped classroom.

A one shot pretest-posttest was conducted to assess the effectiveness of the flipped Classroom. Results showed that students exposed to Flipped classroom have significantly higher performance in terms of posttest and retention test scores. Also, a significant difference in the students' mathematics engagement and ICT competencies before and after the intervention was found.

Keywords: Flipped classroom, pretest, posttest, retention test

Introduction

The quality of mathematics education has been a great concern in the Philippines. One of the perceived problems happening in society is the difficulty in learning Mathematics. However, teachers today are trying to find any method other than the traditional teaching to engage and increase the performance of students. Several studies were conducted in the local setting utilizing the different instructional approach, methods and strategies to possibly enhance learning outcomes of the students in mathematics (Aguanta & Tan, 2018; Asparin & Tan, 2018; Dagoc & Tan, 2018; Saligumba & Tan, 2018; Salingay & Tan, 2018; Tan & Uchang, 2013). Other researchers tried to incorporate varied instructional practices to improve students' mathematical problem solving abilities and attitudes (Duque & Tan, 2018; Tan & Limjap, 2018; Tan, 2018).

As educators consider the type of learners today as 21st-century learners, the teaching of Mathematics in a teacher-centered setting is challenging. It needs a whole lot of effort by the teachers because their students get easily distracted with their gadgets at school and home.

MAS INTERNATIONAL EUROPEAN CONFERENCE ON MATHEMATICS-ENGINEERING-NATURAL & MEDICAL SCIENCES-XII

This scenario is also evident in Malinao High School Extension-Gastav Campus. Students are usually pre-occupied with their cell phones-scrolling social media sites during their free time instead of studying their lessons. Thus, with the use of instructional videos, students' interests are captured and at the same time learning is initiated.

Students' engagement towards math seems to be shaped by how they perceived and meaningfully understand the problem. If students do not consider mathematics is essential then they will not think that it is worthy enough to spend time on. The motivation of these students would be shallow. Thus, it will be challenging to have students learn mathematics meaningfully and gain enough understanding (Dunlap, 2002).

Based on the records, for the past two years, Malinao High School got a mean percentage score (MPS) of 49.58% in Mathematics which is below average. This MPS showed that the majority of students failed to reach the average 75% mean percentage score (MPS). It further means that mathematics teachers need to strategize 21st-century teaching methods. They also need to develop students' engagement to achieve better performance both in the teaching and learning process and at the same time identify how digitally literate the students are. The result of the study will be utilized in planning and strategizing teaching methods to meet the needs of the students and to improve performance in mathematics. In this connection, the researcher seeks to find out the teaching method to increase the performance of students in mathematics. This teaching method is called a flipped classroom.

A flipped classroom is a place where students use resources (videos of lectures, podcasts of material, content readings, documents) outside of the classroom, that allows an extended class time for more hands-on instructional activities (Enfield, 2013).

Research findings of Tang, Chen, Zhu, Zou, Zhong, Wang, Zhou, Zou, and Llang (2017) investigated that there is a better approach to teaching than using the traditional one, that is, flipped classroom. Flipped classroom stimulates students' learning motivation, improves their performance in the final exam, and may help to enhance clinical thinking and communication skills. Also, Segumpan and Tan (2018) recommended that future researchers may consider inclusion of the level of computer or technology-related literacy of the students. Thus, this investigation.

Based on the reasons above, this study came into reality. This study is concerned with the possibility of improving students' mathematics performance when the usual classroom scenario is flipped.

Review of Literature

Students' Mathematics Academic Performance

In mathematics and other subject's reasoning skills are essential for success. Mathematics, mainly, is a base for all scientific and technological studies. Besides, mathematics has high relevance and practical applications to many real-life situations and problems. Vital as it may be, the study of mathematics has however unfortunately been not easy for many students. Mathematics is one of the subjects in school in which many students often perform poorly (Mundia, 2010).

Filipinos perceived learning mathematics to be complicated. Students' problems in mathematics are impossible to be prevented; an equally important goal seeks solutions to the identified problems. According to Nambatac, as cited by Guita and Tan (2018) stated that

Filipinos performed poorly in Mathematics among the 41 participant countries. Moreover, they also added that in Science and Mathematics subjects it is reported that Filipino students have poor performance. The national mean percentage scores (MPS) in Mathematics on 2012 was only 48.90 which was below the national standard and was among the lowest in the five subjects in the National Achievement Test (NETRC, 2012).

Students' performance has always been the concern of teachers resulting from the amount of effect shown in the teaching and learning process. Teachers need to organize their instruction on essential concepts. Moreover, they should have the competence to make learning meaningful to diverse learners. Toprac, as cited by Bersano (2016), stated that teachers who use a range of instructional strategies in presenting materials and facilitating student interaction have major success in meeting the range of student needs.

Engagement towards Mathematics

Affective Engagement

The factors involved in student engagement and motivation can affect each other in a circular nature. Students who lack the competence to perform at a requisite level may end up having lower levels of affective engagement. The more disengaged students are, the less likely they are to learn and acquire the skills necessary to succeed (Pagan, 2018).

Wehlage et al., as cited by Pannozzo (2005), recommended that successful programs for at-risk students should focus on overcoming obstructions to educational engagement and school membership, and promoting a sense of commitment and attachment.

In summary, research helps to clarify aspects of student engagement in blended learning, higher education classes. The excellent information is that the pedagogical decisions an instructor makes appear to have a stronger impact on student engagement than the location of the learning activity or the individual characteristics of the learner. Learning activities that provide learner choices and develop sociality are perceived as necessary to the student and are seen as relevant to existing student knowledge. These are all associated with higher levels of both cognitive and emotional engagement (Manwaring, 2017).

Cognitive Engagement

Students' engagement to a specific subject like mathematics has contributed to one's performance towards it. Student engagement (SE) is defined as student-led creation of knowledge and skills value the increase in overall benefits in the student's university education, specific to their profession. SE is seen as a function of student involvement (SI) and student participation (SP). Student motivation is a crucial element within the learning process (BRAVO, et al., 2011).

As found in the work of Hamdan et al., as cited by Sharpe (2016), a teacher's engagement increase, students also began exceeding expectations. More specifically, the findings were partially in line with the hypothesis that positive emotions and motivational thoughts intensify participation, and that positive feelings broaden cognitive capacity. For instance, the path from an emotional engagement at 9th grade to behavioral engagement at 10th grade was significant. Also, the path from Grade 10 emotional engagement to Grade 11 cognitive engagement was also significant (Li & Lerner, 2012).

The study of Burrows (2010) examined the hypothesis that cognitive and affective engagement has strong positive relations with academic engagement variables and significant negative association with behavioral engagement variables.

Achievement test scores, attendance records, and information about the number of credits accrued by students were obtained from the school district's database. Results indicated that cognitive engagement was a significant predictor of achievement test scores after controlling for other types of engagement (Spanjers, 2007).

ICT Competencies

In business, education, and society computers play a significant role. One must recognize that some aspects of computer knowledge are more relevant to a pursuit in higher education than others. The result of this study suggests that students' exposure to computers before college has resulted in a few mastering knowledge in computer technology (Robinson & Thomas, 2001).

They also added, at present, information, media and ICT-related skills and competencies are recognized to be among the main competencies in order to become competent participants in education. These major competencies are often addressed together as the convergent concept of digital literacy. The transformation of children's informally acquired digital competencies into digital literacy cannot be left to the students alone.

If students can perform or use the mouse, choose commands from a menu, enter and save text, open files, etc. they will have the foundational skills necessary to use many other software programs as well. They will gain independence to develop their skills on their own when they will be able to follow instructions in order to learn to use new software programs. In the study of Meckelborg (2003), he found that different indirect measures of computer literacy were effective as predictors of performance.

Moreover, multimedia components like computerized homework, tutorials, and video lectures, when coupled with immediate feedback, have been shown to improve mathematics learning (Twigg, 2003).

Ukwoma & Iwundu (2016) concluded from their work that digital literacy is critical, its advantages include increased learner's effectiveness or performance gain, increased learner efficiency, greater learner engagement or satisfaction and more positive students' attitudes to learning.

Flipped Classroom: A blended learning method

The flipped classroom is an ingenious teaching methodology and an approach that is growing in popularity. Flipped formally introduced in 1998, it flips the lecture from occurring within the classroom to being delivered outside of class meetings. This method allows time for active learning and assignments to be completed during class meetings. The activities inside the classroom are meant to focus students on the content application to gain a better understanding of the material being studied. These activities could be individual or collaborative and move the instructor from being a knowledge source to a facilitator of students' learning (Gillette, 2018).

Hence, according to Parham (2018) as cited from the work of Brame, he stated flipped classroom is where the students have their first exposure to fresh material outside of class,

mostly through reading or watching lecture videos, and then utilize instruction time to do the challenging task of gaining that knowledge, probably through problem-solving, discussion, or debates. This method contrasts from the traditional model in which ‘first exposure’ occurs via lecture in class, with students assimilating knowledge through homework.

Enfield (2013) used the flipped classroom model in order to address several challenges related to giving the same learning outcomes for the whole class whoever is their instructor, engaging students with diverse technical expertise during guided instruction, and providing time for students to apply what they learn to various situations. This one-semester study found that the majority of the students were engaged with the learning material and were successful in the course. In addition, the students reported that they had also learned to use various technologies and that their self-efficacy improved.

Gaughan (2014) reported that the flipped learning environment had a positive effect on students’ social interaction, classroom participation, and positive attitudes towards course material, technical skills, and overall learning experience.

In addition, flipped classroom stimulates students’ learning motivation, improves their performance in the final exam, and may help to enhance clinical thinking and communication skills. The flipped classroom approach needs to be further optimized in terms of specific subjects, students’ workload, as well as the evaluation system of students’ performance (Tang, et, al 2017).

Lastly, the results showed that for the learning achievement tests, the scores for the experimental group (the integration of OCW with the flipped classroom) were significantly higher than those of the control group (the integration of OCW with a conventional classroom) (Sun & Wu, 2016). It was also concluded from the study of Zhoggen and Guifang, 2015, that the flipped business English writing classroom brought about better academic achievements than the traditional one.

Methodology

Research Design

This study made use of one group pretest-post-test experimental design. This type of design used one class which were subjected to the pretest, posttest, retention test to determine the significant difference on the academic performance, engagement, and their ICT competencies towards Mathematics.

The group took the teacher made test with Cronbach alpha of 0.703 that served as a pretest of the study. The same test was used as the posttest at the end of the intervention. A retention test was administered two (2) weeks after the posttest. The pretest, posttest, and retention test served as the data in the evaluation of the study.

Research Locale

This study was conducted at Malinao High School Extension- Gastav Campus. It is located at the municipality of Banisilan, Cotabato.

Respondents of the Study

The representative samples of the study were the Grade 9 Edison students of Malinao High School Extension- Gastav Campus, SY 2018-2019 who were taking Mathematics 9 subject, specifically, topics on Geometry.

This one section was selected, under the one-shot pretest-posttest experimental design.

Data Gathering Procedure

A designed lesson plan matrix for the Flipped classroom was followed to see the difference and significance of improvement on the mathematics performance, engagement, and ICT competencies.

The pre-test for the mathematics performance and questionnaire of the mathematics engagement and ICT competencies were given before the start of the experimental period. The posttest for the measurement of mathematics performance, level of engagement and ICT competencies were also given after the experimental period. Moreover, a retention test was given two (2) weeks after the administration of posttest.

Research Instrument

The researcher adopted a 58-item teacher made test which covered the topics in the fourth grading period stipulated in the K to 12 Mathematics 9 Curriculum. The content and reliability of the test were validated by the experts. It was analysed with reliability (KR21) equal to 0.703.

The researcher adapted Student Engagement Instrument (SEI) developed by Appleton, et al. (2006) with a cronbach alpha of 0.922 to determine the mathematics engagement of the students.

The researcher adapted and modified a questionnaire from Paglinawan (2015) with a Cronbach alpha of 0.971 to determine the level of ICT Competencies of students.

Statistical Techniques

Descriptive statistics like mean, standard deviation, frequency, and percentage were used to determine the levels of academic performance, engagement, and ICT competencies towards Mathematics.

The Paired sample T-test was used to compare the performance of students as well as the difference of students' engagement and ICT competencies towards Mathematics.

Findings

To identify the level of mathematics performance of the students when exposed to the flipped classroom in the pretest, posttest and retention test, descriptive statistics such as mean, frequency, and percentage were used.

The pretest score performance of the students exposed to Flipped Classroom shows the recorded mean score of 15.78 or 66% which is interpreted as "very low performance". The result of the pretest implies that all of the students' do not have enough knowledge from the content of the test prior to the exposure of the Flipped classroom.

As to the posttest, they obtained a mean score of 37.68 or 78% indicating below average level with a "low performance" result. It can be observed that after the exposure to the Flipped classroom the mean performance of the students was still low.

Retention test results showed mean score of 38.25 or 78% which indicated a "low performance". It was observed that after the retention test, the mean performance of the students was still low. However, after two (2) weeks, students were able to retain important content and information based on the increase of the mean score. This means that with the use of the Flipped classroom, students' retention scores increased.

MAS INTERNATIONAL EUROPEAN CONFERENCE ON MATHEMATICS-ENGINEERING-NATURAL & MEDICAL SCIENCES-XII

To determine the level of students' engagement in Mathematics with the use of flipped classroom descriptive statistics such as mean, frequency, and percentage were also used.

Before the experimentation, the affective and cognitive engagement of students towards Mathematics when exposed to Flipped classroom was 3.17 and 3.26 respectively. Results signify that prior to exposure; the students moderately have affective and cognitive engagement in Mathematics class.

After the experimentation, students have an over-all mean score of 3.80 and 3.87 in the affective and cognitive engagement. This shows that students both positively engaged in the math class.

To ascertain the level of students' ICT competencies with the use of flipped classroom descriptive statistics such as mean, frequency, and percentage were also used.

The overall mean score of the students is 1.42 indicating "no competency" prior to exposure and this changed to 2.23 described as "basic level" after the intervention. The result implies that the students have no competency in ICT at the beginning. However, students performed basic level in all ICT competencies after the intervention of the Flipped classroom.

To differentiate the level of Mathematics performance of the students with the integration of flipped classroom in terms of posttest and retention test, the paired t-test was used.

As can be observed in table 1, there is a significant difference between students Mathematics performance before and after exposure to the Flipped Classroom ($p = 0.00$) with the mean score of 15.78 in the pre-test and 37.68 in the post test. Students' performance improved to "low performance" level; hence the change in performance is significant. This implies that the students' exposure to the Flipped Classroom had a positive impact to their Mathematics performance.

In line with the above findings, Casem (2016) found that the flipped instruction had a large effect on the improvement of mathematics performance of the participants. This is because within the flipped model students were better able to prepare for the class sessions and have more opportunities to interact with the instructor and peers than in the traditional lectures.

Baker, Kutz, Simmons, and Wilkinson (2013) also found that flipping the classroom in academic library instruction provided more time for active learning and classroom discussion. Also, in the same study, the flipped classroom generated student success.

Table 1. Comparison of students' Mathematics performance when exposed to Flipped Classroom

VARIABLES	MEAN	SD	T-VALUE	PROBABILITY(2-tailed)
PERFORMANCE				
Pre-test	15.78	3.880	-22.687	0.00**
Post-test	37.68	6.346		

**significant at 0.05 level

Table 2 shows the comparison of students' Mathematics performance when exposed to the flipped classroom. It reflects the mean score of 15.78 in the pre-test and 38.25 in the retention

**MAS INTERNATIONAL EUROPEAN CONFERENCE ON
MATHEMATICS-ENGINEERING-NATURAL & MEDICAL SCIENCES-XII**

test. Thus, there is a significant difference in the students Mathematics performance. Students' performance improved to "low performance" level, thus the change in performance is significant. This implies that the students' exposure to the Flipped Classroom after two (2) weeks made a positive impact to their Mathematics performance.

It is parallel to the findings of Segumpan and Tan (2018) when he found that students exposed to Flipped Learning retained important information of Mathematics concept taught in the class in the retention test after 16 days.

Table 2. Comparison of students' Mathematics performance when exposed to the Flipped Classroom

VARIABLES	MEAN	SD	T-VALUE	PROBABILITY(2-tailed)
PERFORMANCE				
Pre-test	15.78	3.880	-18.406	0.00**
Retention test	38.25	8.233		

**significant at 0.05 level

To find out if there is a significant difference in students' level of engagement in Mathematics with the integration of flipped classroom in terms of posttest, paired t-test was used.

Table 3 shows, there is a significant difference in the students' level of affective engagement towards Mathematics before and after exposure to the Flipped classroom ($p = 0.00$). This result shows that the difference in the students' engagement level from "moderately engaged" to "engaged" category indicates that after exposure to the Flipped classroom, students became more affectively engaged towards the subject.

This finding is supported by the study of Gaughan (2014) who reported that the flipped learning environment had a positive effect on students' social interaction, classroom participation, and positive attitudes towards course material, technical skills, and overall learning experience. Also, Parham (2018) confirmed the above results when he claimed that flipped classroom models a reverse traditional classroom paradigm from classroom content delivery and independent application and home practice to a model in which students learn their lessons outside of the four walls of the classroom and utilize their allotted instructional time for exploration, practice, application and increased interaction with teachers and classmates.

Table 3. Comparison of students' Mathematics affective engagement when exposed to Flipped Classroom

VARIABLES	MEAN	SD	T-VALUE	PROBABILITY(2-tailed)	
AFFECTIVE ENGAGEMENT					
Pre-test		3.17	0.548	-5.989	0.00**
Post-test		3.80	0.290		

**significant at 0.05 level

Table 4 shows that there is a significant difference in the students' level of cognitive engagement towards Mathematics before and after exposure to the Flipped classroom ($p = 0.00$). This result shows that the difference in students' engagement level from "moderately

engaged” to “engaged” category indicates that after exposure to the Flipped classroom students were more cognitively engaged towards the subject.

This result is parallel to the study of Enfield (2013) who found that the majority of students who were engaged with the learning material were successful in the course. Tang, et.al. (2017) further supports this as he found that Flipped classroom stimulates students’ learning motivation, improves their performance in the final exam, and help enhance critical thinking and communication skills. The flipped classroom approach needs to be further optimized in terms of specific subjects, students’ workload, as well as the evaluation system of students’ performance. Moreover, the overall usage of the system is quite high and the learning performance of the student showed improvements after using the system (Ng, et.al, 2013).

Table 4. Comparison of students’ Mathematics cognitive engagement when exposed to Flipped Classroom

VARIABLES	MEAN	SD	T-VALUE	PROBABILITY(2-tailed)
COGNITIVE ENGAGEMENT				
Pre-test	3.26	0.533	-5.183	0.00**
Post-test	3.79	0.313		

**significant at 0.05 level

To distinguish if there a significant difference in students’ ICT Competencies with the integration of flipped classroom in terms of posttest, paired t-test was used.

Table 5 presents that there is a significant difference in the students’ level of ICT Competencies towards Mathematics before and after exposure to the Flipped classroom ($p = 0.00$). This result shows that the difference in students’ ICT competencies level from “no competency” to “basic level” indicates that after exposure to the Flipped classroom, students acquired basic skills.

This result is in congruence with the study of Gaughan (2014) who reported that the flipped learning environment has a positive effect on students’ social interaction, classroom participation, and positive attitudes towards course material, technical skills, and overall learning experience. Moreover, it is also parallel to the claim of Enfield (2013) who reported that the students also learn to use various technologies and that their self-efficacy improved in the flipped classroom model.

Table 5. Comparison of students’ Mathematics ICT Competencies when exposed to Flipped Classroom

VARIABLES	MEAN	SD	T-VALUE	PROBABILITY(2-tailed)
ICT Competencies				
Pre-test	1.42	0.307	-11.038	0.00**
Post-test	2.23	0.300		

**significant at 0.05 level

Conclusion

Based on the findings, the following conclusions are drawn:

MAS INTERNATIONAL EUROPEAN CONFERENCE ON MATHEMATICS-ENGINEERING-NATURAL & MEDICAL SCIENCES-XII

Mathematics performance of the students under the Flipped classroom environment during the pretest is very low and become low in the posttest and retention test. However, there is an improvement on their performances based on the increase of the mean scores in the post-test and retention test of the students.

Students' are affectively and cognitively engaged in a Flipped classroom environment based on the increased mean scores from their pre-test to post test.

Students have basic level of ICT competencies based on their increase in the over-all mean scores from their pre-test to post test. They acquired basic skills after exposure in a Flipped classroom.

There is a significant difference in the students' Mathematics performance when exposed to the flipped classroom in terms of posttest and retention test. Students improve their Mathematics performance after their exposure to the Flipped Classroom. More so, they retained their knowledge significantly.

There is a significant difference in the affective and cognitive engagement of students in Mathematics when exposed to the flipped classroom. Students are significantly engaged in both cognitive and affective aspects while learning Mathematics.

There is a significant difference in the students' mathematics ICT competencies before and after exposure to the Flipped Classroom. Students significantly improve their ICT competencies.

Suggestions and Recommendations

Based on the summary, findings and conclusions of the study, the following recommendations are given:

Mathematics educators may consider the idea of having prepared instructional videos to be used as instructional tool. Teachers are encouraged to refrain from giving home-based assignments as a final summary of the lesson, instead, to use them as an introduction for the next lesson.

Mathematics educators may apply Flipped Classroom instruction method in class to maximize class time for a more meaningful interaction and doing of activities rather than purely lecture-discussion. For in a flipped classroom instruction, interaction is maximize that may improve their Mathematics performance. Flipping also brings changes for teachers, traditionally teachers engaged most with the advance confident students who ask questions. Flipping allows teachers to target who really need help instead with just those who are confident. Furthermore, instead of instructing in front teachers guide them on the side, this allows them to work closely within the individuals or small groups. Again teachers gain more time to focus on the needs of their class.

Mathematics educators may apply the Flipped classroom instruction method in class to improve the students' affective and cognitive engagement and create more interactive activities inside the class. Furthermore, teachers are encouraged to prepare meaningful activities that can promote interaction rather than pure lecture-discussion.

Students' exposure in a Flipped Classroom is a good way to increase their information and communication technology competency. Students' acquired basic skills as supported by the result of the level of their ICT competency the implementation of Flipped classroom.

MAS INTERNATIONAL EUROPEAN CONFERENCE ON MATHEMATICS-ENGINEERING-NATURAL & MEDICAL SCIENCES-XII

Mathematics educators are encouraged to embed Flipped Classroom in the class to improve students' performance and retention of concepts. It may help students to appreciate the subject which are applicable in a real life situated scenario. In addition, this approach is helpful to increase students' active participation and outcome in class activities.

Mathematics educators are encouraged to expose students' to Flipped Classroom to improve students' affective and cognitive engagement. It may help students to appreciate and become actively involved in the subject. In addition, this approach is helpful to increase students' engagement in class activities.

Mathematics educators are encouraged to implement Flipped Classroom to improve ICT competencies of their students. It may help students to acquire basic knowledge and skills on information and communication technology.

For future researchers, a study of other type of blended learning, other than the activities and specific approach presented on this study, may be conducted. The longer period of implementation is highly suggested for efficacy and reliability of the methods used.

References

Aguanta, E. & Tan, D.A. (2018). Effects of Dyad Cooperative Learning Strategy on Mathematics Performance and Attitude of Students Towards Mathematics, *International Journal of English and Education*, 7(3), 303-313.

Asparin, A. A. & Tan, D. A. (2018). Students' Problem Solving Skills in Enhanced Gradual Release of Responsibility Instruction Model. *Asian Academic Research Journal of Multidisciplinary*, 5(3), 121-128.

Baker, B., Kutz Simmons, B., & Wilkinson, L. (2013). Double live gonzo! Double your impact with a flipped classroom. *LOEX Quarterly*, 39(4, 5), 12-15.

Bersano, M. (2016). Game-Aided on the performance and anxiety level of the grade 9 students in mathematics. p. 17.

Bravo, E., Amante, B., Simo, P., Enache, M., & Fernandez, V. (2011). Video as a new teaching tool to increase student motivation. (1).

Burrows, P. (nd). An examination of the relationship among affective, cognitive, behavioral, and academic factors of student engagement of 9th grade students. Proquest LLC. p. 54.

Casem, R. (2016). Effects of flipped instruction on the performance and attitude of high school students in mathematics. *European Journal of STEM Education*, 1:2 (2016), 37-44.

Dagoc, D., Tan, D.A. (2018). Effects of Metacognitive Scaffolding on the Mathematics Performance of Grade 6 Pupils in a Cooperative Learning Environment, *International Journal of English and Education*, 7(4), 378-391.

Duque, C. & Tan, D. (2018). Students' Mathematics Attitudes and Metacognitive Processes in Mathematical Problem Solving. *European Journal of Education Studies*, 4(11), 1-25.

Dunlap, H. (nd). Changing students' perception of mathematics through an integrated, collaborative, field-based approach to teaching and learning mathematics. University of Texas at El Paso hdogan@utep.edu. (1).

MAS INTERNATIONAL EUROPEAN CONFERENCE ON MATHEMATICS-ENGINEERING-NATURAL & MEDICAL SCIENCES-XII

Enfield, J. (2013). Looking at the impact of the flipped classroom model of instruction on undergraduate multimedia students at CSUN. *Techtrends: Linking Research & Practice to Improve Learning*, 57(6), 14-27.

Gaughan, J. E. (2014). The flipped classroom in world history. *The History Teacher*, 47(2), 221-244.

Gillette, C., Rudolph, M., Kimble, C., Winston, NR., Smith, L., & Zaugg, KB. (2018). A meta-analysis of outcomes comparing flipped classroom and lecture. *American Journal of Pharmaceutical Education*. 433.

Guita, G. & Tan, D. (2018). Mathematics Anxiety and Students' Academic Achievement in a Reciprocal Learning Environment. *International Journal of English and Education*. p. 114.

Li, Y. & Lerner, R. (2012). Interrelations of Behavioral, Emotional, and Cognitive School Engagement in High School Students. Springer Science+Business Media New York 2012. p. 29.

Manwaring, K. (2017). Emotional and Cognitive Engagement in Higher Education Classrooms. Proquest LLC. p. 82-83.

Meckelborg, A. (2003). Assessing Computer Literacy in Adult ESL Learners. Proquest ILC.

Mundia, L. (2010). Problems in learning mathematics: comparison of brunei junior high school students in classes with and without repeaters. *Journal of Mathematics Research*. 150. National Council of Teachers of Mathematics (NCTM)(1980). *An agenda for action: Recommendations for school mathematics of the 1980s*. Reston, VA: Author.

National Council of Teachers of Mathematics. (2009). Guiding principles for mathematics curriculum and assessment. Retrieved from <http://www.nctm.org/standards/content.aspx?id=23273>

Ng, V., Huang, RL., Hong, LC., & KunHong, L. (2013) Are my students ready: a case of flipped learning in an IT subject. ProQuest LLC.

Paglinawan, J. (2015). Information and Communications Technology Competencies and Twenty-First Century Skills: A Structural Model On E-leadership of School Administrators. Unpublished Dissertation. CMU. page 60,89-93.

Pagán, J. (2018). Behavioral, Affective, and Cognitive Engagement of High School Music Students: Relation to Academic Achievement and Ensemble Performance Ratings. Proquest LLC. p. 48.

PannoZZo, G.(2005). Are patterns of behavioral and affective engagement related to dropping out? ProQuest Information and Learning Company 300 North Zeeb Road.

Parham, T. (2018). An action research study of female calculus students' perceptions of the flipped classroom model. ProQuest LLC.

Saligumba, I.P., & Tan, D. (2018). Gradual Release of Responsibility Instructional Model: Its Effects on Students' Mathematics Performance and Self-Efficacy. *International Journal of Scientific & Technology Research*. Volume 7, Issue 8, August 2018.

Salingay, N., & Tan, D. (2018). Concrete-Pictorial-Abstract Approach on Students' Attitude And Performance In Mathematics, *International Journal of Scientific & Technology Research*, Volume 7, Issue 5, May 2018.

**MAS INTERNATIONAL EUROPEAN CONFERENCE ON
MATHEMATICS-ENGINEERING-NATURAL & MEDICAL SCIENCES-XII**

Segumpan, L., & Tan, D. (2018). Mathematics performance and anxiety of junior high school students in a flipped classroom, *European Journal of Education Studies*, Volume 4, Issue 12.

Sharpe, EH. (2016). An investigation of the flipped classroom in algebra two with trigonometry classes. Proquest LLC.

Spanjers, DM. (2007). Cognitive engagement as predictor of achievement. Proquest LLC. p. 73.

Sun, JCY., & Wu, YT. (2016). Analysis of learning achievement and teacher-student interactions in flipped and conventional classrooms. *International review of research in open and distributed learning*. Volume 17, number 1.

Tan-Ucang, J. & Tan, D.A. (2013). Students' Beliefs and Mathematics Performance in a Process-Oriented Guided-Inquiry Learning (POGIL) Environment. *CMU Journal of Science*. 17 (2013), 141-157.

Tan, D.A. (2018). Mathematical Problem Solving Heuristics and Solution Strategies of Senior High School Students, *International Journal of English and Education*, 7(3), July 2018, 1-17.

Tan, D.A. & Limjap, A.C. (2018). "Filipino students' use of metacognitive skills in mathematical problem solving: An emergent model", *International Journal of Development Research*, 8, (05), 20430-20439.

Tang, F., Chen, C., Zhu, Y., Zou, C., Zhong, Y., Wang, N., Zhou, L., Zou, Y., & Llang, D. (2017). Comparison between flipped classroom and lecture-based classroom in ophthalmology clerkship. *Medical Education Online*.

Twigg, C. (2003). Improving learning and reducing costs: New models for online learning. *Educase Review*, 38, 28-36. Retrieved from Education Research Complete database.

Ukwoma, S. & Iwundu, n. (2016). Digital literacy skills possessed by students of UNN implications for effective learning and performance. www.emeraldinsight.com/0307-4803.htm.

Zhonggen, Y., & Guifang, W. (2015). Academic achievements and satisfaction of the clicker-aided flipped business english writing class. ProQuest LLC.

Zuniga, R. (2015). Enhancing academic achievement and satisfaction by flipping the teacher preparation classroom. ProQuest LLC.

**MAS INTERNATIONAL EUROPEAN CONFERENCE ON
MATHEMATICS-ENGINEERING-NATURAL & MEDICAL SCIENCES-XII
OPTIMAL ALLOCATION USING FUZZY METHOD FOR CONVERSED
FRACTIONAL GOAL PROGRAMMING**

**Mushtaq. A. Lone
Shakeel. A. Mir
Omar Fayaz and Tabasum Mushtaq**

Abstract

In this article, fuzzy goal programming approach is used to determine the optimum allocation of sample sizes in Converged Tertiary- objective fractional goal programming. The solution of Converged bi-objective fractional goal programming is obtained through LINGO. For practical purpose if the solution is non integer then the Converged fractional goal programming is solved using Branch and Bound method instead of rounding the non integer sample sizes to the nearest integral values.

Keywords: Optimal allocation, Stratification, nonlinear programming, Fuzzy goal programming, Branch and Bound method and Fractional goal Programming.

Introduction

One of the areas of statistics that is most commonly used in all fields of scientific investigation is that of stratified sampling. In order to achieve greater precision of the estimate it is desirable to decrease the heterogeneity of the population units. This is achieved by a technique known as stratification, in which the population consisting of N units is first divided into L sub-populations of sizes N_1, N_2, \dots, N_L units respectively. These sub-populations are non-overlapping and together they comprise the whole population i.e. $\sum_{i=1}^L N_i = N$. These sub-populations are called strata. These strata are so formed that they are homogeneous within and heterogeneous between. When the strata have been determined, a sample is drawn from each stratum, the drawing being made independently in different strata. If the simple random sampling (SRS) is taken in each stratum, the whole procedure is described as stratified random sampling. In stratification the Values of N_i must be known. The most important consideration in stratified sampling design is the allocation of sample sizes in each stratum either to minimize the variance subject to cost or minimize cost subject to variance. The problem of optimally choosing the sample sizes is known as the optimal allocation problem. The problem of optimal allocation in stratified sampling designs discussed by several authors (see, for example, Gosh (1958), Yates (1960), Hartley (1965), Folks and Antle (1965), Aoyama (1963), Gren (1966), Kokan and Khan(1967), Chatterjee (1972), Bethel (1989), kreienbrock (1993), Khan *et al.* (1997). Ahsan *et al.* (2005), Kozak (2006), Lone *et al.* (2015) ,Ansari *et al.* (2009), etc). It has been seen that a lot of optimization problems from engineering, natural resources and economics require the optimization of a ratio between physical and/or economic functions and where the objective functions appear as a ratio or quotient of other functions, constitute a fractional programming problem. The process of optimization with more than one objective led to the development of multi-objective programming. Multi-objective programming is concerned with decision making problems in which there several conflicting objectives. Such problems are ubiquitous, particularly in public sector which must be concerned with society's

objectives. It is very useful generalization of more traditional, single-objective approaches to the planning problems. When a multi-objective methodology is employed a wider range of alternatives is usually identified and applicable in both the private and public sectors. Each of our lives is filled with daily multi-objective problems, decision situations with non commensurable objectives. Von Neumann (1945) used generalized fractional programming (GFP) problem in modeling an expanding economy. Algorithms for solving linear fractional programming problems are well known in (Carnes and Cooper(1962), Chadha *et.al* (2002), Isbell and Marlow(1956)).

In this article, a fuzzy programming approach is used to solve a tertiary objective stratified sampling design which is converted into bi-objective fractional programming problem by Lone *et al.* (2017) and solution of the programming problem is obtained through LINGO software. In practical situations, if the solution is non integer then rounding of the non integer sample sizes to the nearest integral values may sometime provide an infeasible and non optimal solution. Thus in order to get the integer allocation instead of rounding of non integer values to the nearest integer then Branch and Bound method is used.

Problem formulation

Consider a finite population of size N divided into L strata of sizes N_1, N_2, \dots, N_L such that $\sum_{i=1}^L N_i = N$. Let us assume that n_i samples are drawn independently from each stratum.

Let Y be the characteristic under study and \bar{y} denote an unbiased estimate of population mean (\bar{Y}).

Let \bar{y}_i is an unbiased estimate of the stratum mean \bar{Y}_i

such that $\bar{y}_i = \frac{1}{n_i} \sum_{h=1}^{n_i} y_{ih}$ for all $(i=1,2,3,\dots,L)$ and $\bar{y} = \frac{1}{N} \sum_{i=1}^L N_i \bar{y}_i = \sum_{i=1}^L W_i \bar{y}_i$ is an

unbiased estimate of population mean \bar{Y} . The precision of this estimate is measured by the variance of the sample estimate of the population characteristics.

$$V(\bar{y}) = \sum_{i=1}^L a_i x_i \quad , \text{ where, } \sum_{i=1}^L W_i^2 S_i^2 = a_i \quad , \quad W_i = \frac{N_i}{N} \quad \text{and} \quad x_i = \frac{1}{n_i} - \frac{1}{N_i}.$$

Since $\sum_{i=1}^L \frac{a_i}{N_i}$ is constant and it is sufficient to minimize

$$V(\bar{y}) = \sum_{i=1}^L \frac{a_i}{n_i}.$$

Also, coefficient of variation is given by

$$CV = \left[\sum_{i=1}^L \frac{a_i}{n_i} \right]^{1/2} / \bar{Y}$$

The problem of optimum allocation involves determining the sample sizes that minimize the total variance subjected to sampling cost.

The sampling cost function is of the form

$$C = c^o + \sum_{i=1}^L c_i n_i \tag{i}$$

where, c_i be the cost per sample in the i^{th} stratum, c^o is Overhead cost and C is the total budget available in the survey. Let $C - c^o = C^*$. In order to determine the optimal allocation of sample sizes the problem is formulated as tertiary objective allocation problem and is given below:

$$\begin{aligned} \text{Minimize } c^{**} &= \sum_{i=1}^L c_i n_i \\ \text{Minimize } n^* &= \sum_{i=1}^L n_i \\ \text{Minimize } (CV) &= \left[\sum_{i=1}^L \frac{a_i}{n_i} \right]^{1/2} / \bar{Y} \end{aligned} \tag{ii}$$

Subject to

$$V(\bar{y}) = \sum_{i=1}^L \frac{a_i}{n_i} \leq v^*$$

$$2 \leq n_i \leq N_i \quad n_i, \text{ integer } i = 1, 2, 3, \dots, L$$

Where v^* is prefixed variance of the estimate of the population mean. In the above tertiary objective problem, the objective is to minimize the cost function, sample sizes and CV subjected to set of constraints variance and non negative restrictions.

Fuzzy method for conversed fractional goal programming

For multi objective non linear programming problem (MONLPP) the method can be outlined as given below:

Step 1: Find the maximum value of $F_t(n)$ say it $F_t(n^*)$.if $t=3$,then our objectives are $F_1(n), F_2(n),$ and $F_3(n)$ subject to set of constraints. Let $F_1(n)=\text{cost}$ has maximum optimal value.

Step 2: Divide each objective individually by $F_t(n^*)$ and all of the remaining $F_{t-1}(n)$.e.g. We

write $\xi_{t1}(n) = \frac{F_2(n)}{F_1(n)}$ and $\xi_{t2}(n) = \frac{F_3(n)}{F_1(n)}$ fractional programming with two objectives.

Step 3: we get fractional programming $\xi_t(n)$.

Step 4: Define the membership function for t^{th} objective.

Step 5: Transform membership function by using first order Taylor's theorem.

Step 6: Form the Fuzzy goal programming model.

Step 7: Find n^* after solving transformed problem in Step 6.

Step 8: End.

Numerical illustration

The given data has been taken from Arthanari and Dodge (1993). The population contains 64 units, the stratum weights and stratum variance of a population which has been divided into three strata with one characteristic under study is given below in the table 3.1.

Table 3.1: Data of strata with one characteristic

i	N_i	$W_i = \frac{N_i}{N}$	S_i^2	\bar{Y}_i^2	a_i
1	16	0.2500	540.0625	62.9375	33.7539
2	20	0.3125	14.6737	27.6000	1.4330
3	28	0.4375	7.2540	14.0714	1.3885

Assume that C (available budget) =100 units including c^0 and $c^0 = 30$ units (overhead cost). Therefore the total amount available for the survey is $C^* = 70$ units. Also we assume that the cost of measurement C_i in various strata are $c_1 = 4, c_2 = 1.5$ and $c_3 = 1$ for the cost function

$$C = c^0 + \sum_{i=1}^L c_i n_i$$

After substituting the values of the parameters given in the table (1) above the NLPP (1.1) is written as when t=3:

$$\begin{aligned} \text{Min } F_1(n) &= 4n_1 + 1.5n_2 + n_3 \\ \text{Min } F_2(n) &= 4n_1 + 1.5n_2 + n_3 \\ \text{Min } F_3(n) &= \left[\frac{33.7539}{n_1} + \frac{1.4330}{n_2} + \frac{1.3885}{n_3} \right]^{1/2} / 30.52 \\ \text{subject to} \\ \frac{33.7539}{n_1} + \frac{1.4330}{n_2} + \frac{1.3885}{n_3} &\leq 2.90 \\ 2 \leq n_1 \leq 16, 2 \leq n_2 \leq 20, 2 \leq n_3 \leq 20 \end{aligned} \quad (3.7)$$

Solving (3.7) through LINGO using step 1, we get $F_1(n) = 70, F_2(n) = 23.15,$ and $F_3(n) = 0.036$.

Using step 2 and 3 we get the fractional goal programming problem (FGPP) and can be represented as

$$\begin{aligned} \text{Min } \xi_1(n) \\ \text{Min } \xi_2(n) \\ \text{subject to} \\ \frac{33.7539}{n_1} + \frac{1.4330}{n_2} + \frac{1.3885}{n_3} &\leq 2.90 \\ 2 \leq n_1 \leq 16, 2 \leq n_2 \leq 20, 2 \leq n_3 \leq 2 \end{aligned} \quad (3.8)$$

Thus the transformed problem (3.8) has two goals. These goals can be attained by

solving (3.8) for each single objective i , e goal (1) $=k_1^{**} = 0.3170$ and goal (2) $=k_2^{**} = 0.0002997$.

In order to find n to satisfy the following fuzzy goals with fuzzy aspiration levels are 0.3170 and 0.0002997 such that $\xi_1(n) \leq 0.3170$ and $\xi_2(n) \leq 0.0002997$. Thus 0.56 and 0.00067 are tolerance limits respectively for the above two goals.

We define the membership functions for the two fuzzy goals as:

$$\mu_1(n) = \begin{cases} 1 & \text{if } \xi_1(n) \leq 0.3170 \\ \frac{0.56 - \xi_1(n)}{0.56 - 0.3170} & \text{if } 0.3170 \leq \xi_1(n) \leq 0.56 \\ 0 & \text{if } \xi_1(n) \geq 0.56 \end{cases} \quad (3.9)$$

$$\mu_2(n) = \begin{cases} 1 & \text{if } \xi_2(n) \leq 0.0002997 \\ \frac{0.00067 - \xi_2(n)}{0.00067 - 0.0002997} & \text{if } 0.0002997 \leq \xi_2(n) \leq 64 \\ 0 & \text{if } \xi_2(n) \geq 0.00067 \end{cases} \quad (4.0)$$

Transform membership function by using first order Taylor's series about points $n_1^* = (16, 3.85, 3.32)$ and $n_2^* = (16, 20, 28)$ for $\mu_1(n)$ and $\mu_2(n)$ respectively.

$$\begin{aligned} \mu_1(n) &= \mu_1(n_1^*) = 0.0150n_1 - 0.02965n_2 - 0.0385n_3 + 0.9965 \\ \mu_2(n) &= \mu_1(n_2^*) = 0.06n_1 + 0.013n_2 - 0.0090n_3 + 0.633 \end{aligned} \quad (4.1)$$

Thus Fuzzy goal programming problem (FGP) can be presented as

Minimize $\mu_i(n)$

Subject to

$$V(\bar{y}) = \sum_{i=1}^L \frac{a_i}{n_i} \leq V^* \quad (4.2)$$

$$2 \leq n_i \leq N_i \quad n_i, \text{ integer } i = 1, 2, 3, \dots, L$$

The membership function defined in (4.2) has a maximum value one. Thus the aspiration level of defined membership function is unity as given below

$$\mu_i(n) + \delta_i^+ = 1, \text{ Where } \delta_i^+ \text{ is the over deviational variable.}$$

Now, Fuzzy goal programming problem (FGP) can be presented as

Minimize δ_i^+

Subject to

$$V(\bar{y}) = \sum_{i=1}^L \frac{a_i}{n_i} \leq V^* \quad (4.3)$$

$$\mu_i(n) + \delta_i^+ = 1$$

$$2 \leq n_i \leq N_i \quad n_i, \text{ integer } i = 1, 2, 3, \dots, L$$

Using (4.3) the (FGP) for (3.8) can be presented as

Minimize $\delta_1^+ + \delta_2^+$

Subject to

**MAS INTERNATIONAL EUROPEAN CONFERENCE ON
MATHEMATICS-ENGINEERING-NATURAL & MEDICAL SCIENCES-XII**

$$\begin{aligned}
 0.0150n_1 - 0.02965n_2 - 0.0385n_3 + 0.9965 + \delta_1^+ &= 1 \\
 0.06n_1 + 0.013n_2 + 0.0090n_3 - 0.633 + \delta_2^+ &= 1 \\
 \frac{33.7539}{n_1} + \frac{1.4330}{n_2} + \frac{1.3885}{n_3} &\leq 2.90 \\
 2 \leq n_1 \leq 16, 2 \leq n_2 \leq 20, 2 \leq n_3 &\leq 2
 \end{aligned} \tag{4.4}$$

After solving (4.4) through LINGO software, we get

$n_1 = 16, n_2 = 4.19$, and $n_3 = 3$. Thus the obtained solution is non integer. In order to get the integer values NLGPP (4.4) is solved using Branch and Bound method. The integer optimal solution using Branch and Bound method is given by $n_1 = 16, n_2 = 5$, and $n_3 = 3$.

Result obtained through Lingo Software using Branch and Bound method is given below :

Local optimal solution found.

Objective value:	0.4482500
Objective bound:	0.4482500
Infeasibilities:	0.000000
Extended solver steps:	8
Total solver iterations:	190

Model Class:	MINLP
--------------	-------

Total variables:	5
Nonlinear variables:	3
Integer variables:	3

Total constraints:	4
Nonlinear constraints:	1

Total nonzeros:	13
Nonlinear nonzeros:	3

Variable	Value	Reduced Cost
D1	0.2725000E-01	0.000000
D2	0.4210000	0.000000
N1	16.00000	-0.8500000E-01
N2	5.000000	0.1665000E-01
N3	3.000000	0.2950000E-01

Row	Slack or Surplus	Dual Price
1	0.4482500	-1.000000
2	0.000000	-1.000000
3	0.000000	-1.000000
4	0.3969792E-01	0.000000

Conclusion

This paper concludes that how a fuzzy approach is used to determine the optimal allocation of sample sizes in developed tertiary objective stratified sampling design which is converted into bi-objective fractional programming problem. However, in practical situations rounding of non integer to the nearest integral values may sometime provide an infeasible solution. To get integer optimum allocation of sample sizes Branch and Bound Method has been used.

References

- Ahsan, M. J., Najmussehar and Khan ,M. G.M. (2005). Mixed allocation in stratified sampling .*Aligrah Journal of Statistics sciences* 25:87-97.
- Ansari A.H., Najmussehar and Ahsan M.J. (2009). On Multiple Response Stratified Random Sampling Design, *International Journal of Statistical Sciences*, 1(1), 45-54.
- Aoyama H., (1963). Stratified Random Sampling with Optimum Allocation for Multivariate Populations, *Annals of the institute of statistical Mathematics*. 14:251–258.
- Arthanari ,T.s.,\and Dodge, Y. (1993).*Mathematical programming in statistics*.New York: John Willy.
- Bethel J.(1989). Sample Allocation in Multivariate Surveys. *Survey Methodology*, 15, 40-57 .
- Chatterjee, S. (1972). A study of optimum allocation in multivariate stratified surveys. *Skandinavisk Actuarietidskrift* 55:73-80.
- Folks, J.K., Antle, C.E.(1965). Optimum allocation of samplingunits to the strata when there are R responses of interest. *Journal of American Statistical Association* 60: 225-233.
- Ghosh,S.P. (1958). A note on stratified random sampling with multiple characters. *Calcutta Statistical Bulletin* 8:81-89.
- Gren , J. (1966) . Some Application of Non-linear Programming in Sampling Methods, *Przeglad Statystyczny*, 13:203–217
- Hartley H.O.,(1965). Multiple purpose optimum allocation in stratified sampling, in : *Proceedings of the American Statistical Association, Social Statistics Section. Alexandria, VA: American Statistical Association*, 258-261.
- Khan. M.G.M., and Ahsan, M. J., and Jahan, N.(1997). Compromise allocation in multivariate stratified sampling : An integer solution .*Naval Research Logistics* 44:69-79.
- Kokan, A. R. and Khan, S. U. (1967) .Optimum allocation in multivariate surveys: An analytical solution.*Journal of Royal Statistical Society, Ser. B*, 29, 115125.
- Kozok M., (2006).On sample allocation in multivariate surveys, *Communication in Statistics-Simulation and Computation*, 35, 901-910 .
- Kreienbrock, L .(1993). Generalized measures of dispersion to solve the allocation problem in multivariate stratified random sampling . *Cmmunication in Statistics : theory and methods* 22(1) : 219-239.
- Lingo 13.0, LINDO *inc.ltd*.
- Yates, F. (1960).*Sampling Methods for Censuses and Surveys*. 3rd ed. London: Charles Griffin.
- Lone .M. A., Mir. S. A. and Khan. I.(2017). Conversion of Tertiary Objective Stratified Sampling Design into Fractional Goal Programming. *Journal of Statistics* 24:112-119.

**MAS INTERNATIONAL EUROPEAN CONFERENCE ON
MATHEMATICS-ENGINEERING-NATURAL & MEDICAL SCIENCES-XII**

Von Neumann, J. (1945). A model of general economic equilibrium. *Review Economic Studies*, 13, 1–9.

Isbell, J. R. and Marlow, W. H. (1956). Attrition games, *Naval Research Logistics Quarterly*, 3, 1-99.

Carnes and Cooper, W. W. (1962). Programming with Linear Fractional Functional. *Naval Research Logistics Quarterly*, 9, 181-186.

Lone .M. A., Mir. S. A., Maqbool. S. and Bhat. M. A . (2015). An integer solution using Branch and Bound Method in Multi-objective stratified sampling design. *International Journal of Advanced Scientific and Technological Research*,4(5): 172-181.

Lone .M. A., Mir. S. A., Singh K.N. and Khan. I. (2015). Linear / Non Linear Plus Fractional Goal Programming (L/NLPFGP) Approach in stratified sampling design. *Research Journal of Mathematical and Statistical Sciences*,3(12): 16-20

**K-NEAREST NEIGHBOUR CLASSIFIER USAGE FOR PERMISSION BASED
MALWARE DETECTION IN ANDROID**

**Recep Sinan ARSLAN,
Ahmet Haşim Yurtakal**
Yozgat Bozok University

Abstract

Android security has been a hot topic in both academic research and public concerns, as events such as numerous security attacks and secret information leaks occur on the Android platform. The foundation of security is built on a permission-based restriction mechanism for third party applications to access resources on Android devices. Many different methods such as heuristic approaches, static and dynamic analysis structures, and the use of sandbox are used to prevent people using Android.

In this study, an approach is proposed to obtain the requested permissions by the apps and to classify them with the k-nearest neighbor method. This classification algorithm has been tested with a dataset containing requested permissions by 1000 benign and 250 malicious apks. The data set was created by evaluating the requests of 349 different android permissions in the software. The malicious applications to be used in the classification have been made by using the gnome and drebin malware datasets that are widely used and the benign applications created by scanning multi platform antivirus programs.

The k-nearest neighborhood (KNN) algorithm was used as classifier in the developed malicious application detection system. KNN algorithm is one of the supervised learning algorithms. It is often used in solving both classification and regression problems. In the proposed algorithm, neighbor number 5 and Minkowski are preferred as distance metric. 80% of dataset randomly selected is reserved for training and 20% for testing. As a result, the proposed method classifies 247 of the 268 different android applications it encounters for the first time, reaching 92.16% accuracy, while Specificity is 96.50% and the Negative Predictive Value is 93.24%. The performance of the model was analyzed with precision recall f1 values. These values are obtained from the confusion matrix. While the Precision value shows the cases where the False Positive prediction is of high importance, Recall shows the situations where the prediction is high as False Negative. The overall average performance was achieved with a recall of 88.0%, a precision of 91%, a f1-measure of 89%.

The requested permissions produces highly effective results in analyzing using machine learning techniques and detecting malicious applications. It was understood that the results obtained were more successful than complex models such as heuristic methods or using sandbox. An increase in classification performance can be achieved by using more malicious and benign application data.

Keywords: Malware Detection, Android, Mobile Security, KNN

**DERİN ÖĞRENME YÖNTEMLERİ KULLANILARAK ZAMAN SERİSİ İLE ÜRÜN
TALEP TAHMİNİ**

Gamze Ayyıldız Doğanşoy

Mersin Üniversitesi

Mehmet Acı

Mersin Üniversitesi

Özet

Talep tahmini, üretim planlama, yönetim, kontrol gibi işletmeler için önemli alanlarda ihtiyaç duyulan ve stratejik değer taşıyan bir konudur. Talep tahmini karar vericilerin başarılı olmalarında önemli rol oynamaktadır. Bu çalışmada perakende satış yapan bir marketin tarih sıralı müşteri alışveriş hareketleri ve ürün satışını etkileyen faktörler analiz edilerek belirli kategorideki ürünlere talep âdeti tahmin edilmiştir. Çalışmanın amacı elde edilen sonuçlar ile bir sonraki dönemde ürün talebinin tahmin edilmesi ve bu sayede ürün siparişinin doğru sayıda verilerek, oluşacak olumsuz durumların önüne geçilmesi, pazarlama stratejilerinin daha verimli uygulanması böylelikle işletmenin başarısının artırılmasıdır. Derin öğrenme, insan beyninin karmaşık problemler karşısında analiz etme, gözlemlene, öğrenme ve karar verme yeteneğini taklit eden makine öğrenmesi tekniğidir. Derin öğrenme yapay sinir ağlarının ileri düzeyde bir yaklaşımına gelişmesi ile ortaya çıkmıştır. Büyük miktarda veri kullanarak öğrenme sürecini gerçekleştiren derin öğrenme algoritmaları ile yaygın olarak tanımlama, tahmin, sınıflandırma, tespit çalışmaları yapılabilmekte ve başarılı sonuçlar elde edilmektedir. Bu çalışmada derin öğrenme yöntemlerinden tekrarlayan sinir ağı (Recurrent neural network (RNN)), uzun kısa süreli bellek (Long-short term memory (LSTM)) ve çift yönlü uzun-kısa süreli bellek (Bidirectional long-short term memory (BiLSTM)) kullanılarak zaman serisi verileri ile ürün talep tahmini yapılmıştır. Oluşturulan ağ modelleri ile veriler eğitilmiş ve sonrasında test işlemi yapılarak sonuçlar rmse, mae ve korelasyon katsayısı değerleri hesaplanarak karşılaştırılmıştır. Elde edilen sonuçlar oluşturulan modellerin bu çalışma için uygun olduğunu en başarılı sonucun ise LSTM ağ modeli ile elde edildiğini göstermiştir.

Anahtar Kelimeler: Yapay Zekâ, Derin Öğrenme, Talep Tahmini

**PRODUCT DEMAND PREDICTION WITH TIME SERIES USING DEEP LEARNING
METHODS**

Abstract

Demand forecasting is an important and strategically important issue required for production planning, management and control. Demand forecasting has an important role in making successful decision makers. In this study, the customer order movements of a retail market and the factors affecting the product sales were analyzed and the demand for products in certain categories was estimated. The aim of the study is to estimate the product demand in the next period with the results obtained, and thus, to give the correct number of product orders, to prevent negative situations and to apply the marketing strategies more efficiently, thereby increasing the success of the business. Deep learning has emerged with the development of an advanced approach of artificial neural networks. With deep learning algorithms that realize the learning process by using a large amount of data, identification, prediction, classification, determination studies can be made widely and successful results are obtained. In this study time series using recurrent neural network (RNN), long short-term memory (LSTM) and

bidirectional long-short term memory (BiLSTM) from deep learning methods product demand estimation was made with the data. Data was trained with the network models created and then the test was performed and the results were compared by calculating the rmse, mae and correlation coefficient values. The obtained results showed that the models created were suitable for this study and the most successful result was obtained with the LSTM network model.

Keywords: Artificial Intelligence, Deep Learning, Demand Forecasting

1.GİRİŞ

Perakende sektörü, dünyanın küreselleşmesi, sanayinin büyümesi, teknolojik gelişmeler, artan nüfus yoğunluğu ve beraberinde artan ihtiyaçlar ile gün geçtikçe gelişim göstermektedir. Perakende sektörünün büyümesi ve özellikle son yıllarda market sayılarının artması ile birlikte bu sektörde rekabet yoğunlaşmıştır. Perakende işletmelerinin artan rekabet ortamına direnerek büyümeye devam edebilmesi, rakip işletmelerden farklılaşarak ön plana çıkabilmesi için değişen tüketici taleplerine zamanında ve doğru bir şekilde cevap verebilmesi gerekmektedir. [1] Perakendeciler başarılı olabilmek için hızlı olmak ve sahip oldukları sistem ile farklı satış kanallarını koordineli bir şekilde yürütmek zorundadır. Bu nedenle perakende sektöründe bilgi teknolojileri önemli bir yer edinmektedir.

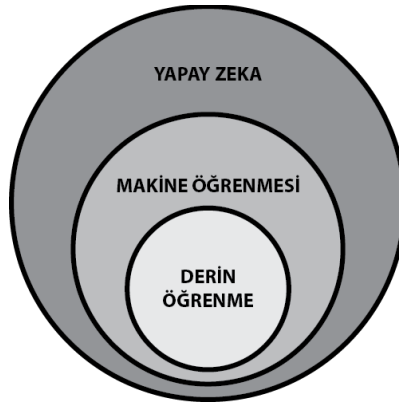
Günümüz teknoloji koşullarında birçok perakende işletmecisi satış ve müşteri bilgilerini depoladığı veritabanlarına sahiptir. Bu veritabanlarında kayıtlı veriler çeşitli analiz ve yazılım teknikleri ile işlenerek işletmenin daha etkin kararlar alabilmesini sağlayacak anlamlı verilere dönüştürülebilmektedir. Elde edilen anlamlı veriler ile işletmenin gelecek dönemde elde edeceği veriler hakkında tahmin çalışmaları yapılabilmektedir. Böylelikle işletmenin gelecek dönem verileri hakkında bilgi sahibi olması sağlanarak, verileri başarısını arttıracak çalışmalarda kullanması gündeme gelmiştir. Perakende sektöründeki işletmelerin temel amacı müşteri talebinin minimum zaman ve minimum maliyetle karşılanabilmesidir. Bu nedenle perakende sektöründe etkin bir ürün talep tahminine ihtiyaç duyulur.

Bu çalışmada müşteri alışveriş hareketleri analiz edilmiş ve derin öğrenme yöntemleri olan tekrarlayan sinir ağı (Recurrent neural network (RNN)), uzun kısa süreli bellek (Long-short term memory (LSTM)) ve çift yönlü uzun-kısa süreli bellek (Bidirectional long-short term memory (BiLSTM)) ağ modelleri ile ürün talebi tahmin edilmiştir. Çalışmada Groseri Gıda ve İhtiyaç Maddeleri Tic. Ltd. Şti firmasından temin edilen 2017 – 2019 yılları arası internet alışverişi satış verilerinin yanı sıra Türkiye İstatistik Kurumu (TÜİK)'nun istatistik otomasyonundan temin edilen tüketici fiyatları endeksi (TÜFE) ve işsizlik oranı verileri de kullanılmıştır. Veri kümesi, ön işleme ve normalizasyon işlemleri sonrası eğitim ve test verisi olarak ayrılmıştır. Eğitim için ayrılan veri, işleme metodu seçildikten sonra işleme alınarak sonrasında test verileri ile doğruluğu ölçülmüştür. Çalışmanın amacı elde edilen sonuçlar ile bir sonraki dönemde ürün talebinin tahmin edilmesi ve bu sayede ürün siparişinin doğru sayıda verilerek, oluşacak olumsuz durumların önüne geçilmesi, pazarlama stratejilerinin daha verimli uygulanması böylelikle işletmenin başarısının arttırılmasıdır.

Derin öğrenme, insan beyninin karmaşık problemler karşısında analiz etme, gözlemleme, öğrenme ve karar verme yeteneğini taklit eden büyük miktarda veri kullanan makine öğrenmesi tekniğidir. [2] Derin öğrenme yapay sinir ağlarının ileri düzeyde bir yaklaşımına gelişmesi ile ortaya çıkmıştır. Bu gelişme tek katmanlı yapay sinir ağlarından çok katmanlı yapay sinir

ağlarına ve sonrasında derin öğrenme algoritmalarının oluşumuna doğru ilerlemiştir.

Şekil1’de gösterildiği üzere derin öğrenme, yapay sinir ağlarını temel alan makine öğrenmesinin bir alt kümesidir. Derin öğrenmenin geleneksel makine öğrenme algoritmalarından farkı uygulanacak alanın karmaşıklığına göre değişken bir hiyerarşi modelinin olmasıdır. [3] Derin öğrenme ile oluşturulan sinir ağlarının klasik yapay sinir ağlarının çok katmanlı ve çok nöronlu bir hali olduğu söylenilebilir. Bu çok katmanlı yapıda bilgiye ait özellik çıkarımları sinir ağı katmanları içerisinde oluşturulmaktadır. Katmanlı yapı öznelikleri gizli katmanda açığa çıkararak ağırlık değerlerini eğitim sürecinde belirlemektedir. Konvolüsyon işlemi ile veriye ait özellikler belirlenmekte ağdaki diğer katmanlar bu özellikleri alarak bir alt katmana iletmektedir. Bu yönü ile özellik çıkarımını kendi başına karar vererek yapabilen sinir ağı klasik yöntemlere göre daha başarılı sonuçlar üretmektedir.



Şekil1: Yapay zekâ, makine öğrenmesi, derin öğrenme ilişkisi

Derin öğrenme ile modellenen yapay sinir ağlarının katmanları içerisinde büyük veri matematiksel yapılar ile işlenmektedir. Bu yoğun işlem süreci derin öğrenme çalışmasında kullanılacak bilgisayarın performansının yüksek olmasını gerektirmektedir. Derin öğrenme algoritmalarının başarı oranının yüksek olması çalışılan veri kümesindeki örnek sayısının fazla olması ile ilişkilidir. Örnek sayısı arttıkça daha iyi sonuçlar elde edildiği gözlemlenmiştir. Örnek sayısının artması veri kümesini de büyültmektedir. Bu sebeple derin öğrenme ağının eğitim süreci uzun zaman almaktadır.

Derin öğrenme algoritmaları ile öğrenme süreci sonuçtaki başarı oranı belli bir seviyeye ulaşıncaya kadar tekrar etmektedir. [2] Çalışma sürecince verilerin geçmesi gereken adımlar bulunmaktadır. İlk olarak problemin tanımı ve derin öğrenmeye uygunluğu tespit edilir. Sonrasında probleme uygun çalışılacak veri kümesi tanımlanarak analiz için ön hazırlıklar yapılır. Uygulanacak derin öğrenme algoritmasının seçilmesinden sonra veriler ile eğitim aşamasına geçilir. Son aşamada eğitilen model test verileri doğruluğu ölçülerek performansı test edilir.

Derin öğrenme tanımlama, tahmin, sınıflandırma ve tespit çalışmalarında yaygın olarak kullanılmaktadır. Günümüzde birçok teknolojik yapı içerisinde ve verinin elde edildiği her alana derin öğrenme algoritmaları uygulanabilmektedir. Yapılan pek çok çalışmada yüksek başarı oranının elde edilmesi derin öğrenme yöntemlerine olan ilgiyi arttırmıştır.

2.ÖNCEKİ ÇALIŞMALAR

Talep tahmini, üretim planlama, yönetim ve kontrol gibi işletmeler için önemli alanlarda kullanılan ve stratejik anlamda önemli olan bir konudur. [4] Talep tahmini konusunda 1960’lı

yıllardan beri çalışmalar yapılmakta olup her geçen gün yeni teknikler test edilerek bu konuda gelişmeler yaşanmaktadır.

Bir işletme için gelecekteki üretim faaliyetlerini planlamasında ilk adım üretilmesi gereken veya istenen miktarın bilinmesidir. [5] Üretilmesi düşünülen ürüne ne kadar talep olacağı bilinmeden işletme faaliyetleri için önemli alanlarda planlama yapılamaz. Pazarlama, üretim, hammadde veya ürün tedariki, insan gücü ve yatırım gibi birçok ihtiyacın belirlenmesindeki temel girdi talep tahminidir. İşletmelerde yapılacak çalışmaların neredeyse tamamının talep miktarına bağlı olması talep tahminlerinin ne derece önemli olduğunu göstermektedir. Günümüzde perakende satış, elektrik, su, gıda, sağlık, turizm, ekonomi gibi çeşitli alanlarda yapılmış birçok çalışma bulunmaktadır. Bu bölümde, günümüze kadar olan süreçte literatürde bulunan farklı sektörlerde talep tahmini ve ürün talebi tahmini konusu üzerine yapılmış çalışmalardan özetler sunulmuştur. Çalışmalarda genellikle istatistiksel yöntemler, yapay sinir ağları ve derin öğrenme yöntemleri kullanılmış çoğunlukla başarılı sonuçlar elde edilmiştir.

Ünlü, [6] çalışmasında makine öğrenmesi ve derin öğrenme yöntemlerini kullanarak Türkiye’de elektrik üretimine aylık talep miktarını zaman serisi tahmini yapmıştır. Çalışmada destek vektör makineleri (DVM), çok katmanlı nöronlar (ÇKN) ve LSTM yöntemlerini kullanmıştır. Modellenen LSTM ağında giriş değeri ve aktivasyon parametreleri tanımlanarak sinir ağı ileri besleme işlemi yapılmış sonrasında kayıpları en aza indirmek için backpropagation algoritması kullanarak değerler optimize etmiştir. Sonuçları MSE, MAE, RMSE ve R^2 değerleri dikkate alarak karşılaştırmıştır. LSTM modelinin tüm değerlendirme metrikleri açısından diğer yöntemlerden daha başarılı sonuçlar verdiğini gözlemlemiştir.

Xu [7] ve arkadaşları büyük ölçekli veri kümeleriyle istasyonsuz bisiklet paylaşımına talebi tahmin eden çalışmayı derin öğrenme yöntemleri ile yapmış ve diğer yöntemler ile karşılaştırmışlardır. Çalışmada istasyonsuz bisiklet paylaşımı yapan bir şirketin Nanjing Şehrinin şehir merkezinin iki haftalık verilerini kullanmışlardır. Geçmiş verilere dayanarak bir sonraki zaman aralığında bisiklet gezilerine talebin tahmin edilmesi amacıyla çalışmayı yapmışlardır. Eğitim için oluşturulan modellerde hava durumu, hava durumu kalitesi, arazi kullanım özellikleri ve zaman aralıkları değişken olarak kullanmışlardır. Çalışmada istatistiksel yöntemler, makine öğrenmesi, yapay sinir ağları ve derin öğrenme teknikleri ile modeller tanımlayarak sonuçları RMSE değerine göre karşılaştırmışlardır. Oluşturulan One-step tahmin yöntemi, tarihsel ortalama (historical average, HA), otomatik regresif entegre hareketli ortalama (ARIMA), ekstrem gradyan artırma (XGBoost), destek vektör makinaları (SVM), RNN, yapay sinir ağları (YSA) ve LSTM modelleri arasından en yüksek başarı oranını derin öğrenme tekniklerinden LSTM ile elde etmişlerdir.

Rahman ve arkadaşları [8] tarafından akıllı ev sistemlerinde hane halkının enerji talebini derin öğrenme tabanlı yöntemler ile tahmin etmişlerdir. Çalışmada akıllı şebeke sistemi kullanan evlerin gelecek dönem enerji/elektrik tüketim talebini tahmin ederek elektrik verimli dağıtılmasını amaçlamışlardır. Tek bir hane halkının 2006-2010 yılları arası enerji tüketim verileri ve makine öğrenmesi yöntemleri kullanılarak talep tahmini yapmışlardır. ARIMA metoduyla zaman serisi analizi, RNN, LSTM, doğrusal regresyon ve çok değişkenli doğrusal regresyon olmak üzere farklı yöntemler çalışmada kullanılmıştır. Çalışma sonucunda yöntemlerin hepsinin verinin eğilimine göre başarılı ve benzer sonuçlar verdiğini gözlemlemiştir. Bir sonraki çalışmasında değişken sayısını arttırarak en iyi sonuca ulaşmaya çalışacağını

belirtmiştir.

Çayır ve arkadaşları [9] çalışmalarında derin öğrenme tekniklerini kullanarak konutlardaki günlük elektrik gücü talep miktarını tahmin etmişlerdir. Çalışmalarında, İngiltere'nin Londra şehrindeki belirli bir bölgede 30 farklı eve ait yaklaşık 3 yıllık elektrik güç tüketimi veri kümesini klasik makine öğrenmesi ve derin öğrenme algoritmaları kullanarak uygun kısa vadeli tüketim tahmin modelini bulmaya çalışmışlardır. Veri kümesi destek vektör bağlanım modeli, rassal orman bağlanım modeli ve LSTM sinir ağı modeli oluşturularak eğitilmiştir. Sonuçlar incelendiğinde LSTM sinir ağı ve destek vektör bağlanım modellerinin umut verici başarılı sonuçlar vermesine rağmen başarı oranı olarak rassal orman bağlanım modelinin altında kaldığını gözlemlemişlerdir.

3. VERİ KÜMESİ VE MODELLER

3.1. VERİ KÜMESİ

Bu çalışmada Groseri Gıda ve İhtiyaç Maddeleri Tic. Ltd. Şti. firmasından alınan 2017 – 2019 yılları arası internet alışverişi satış verileri ve Türkiye İstatistik Kurumu (TÜİK)'nin istatistik otomasyonundan temin edilen tüketici fiyatları endeksi (TÜFE) ve işsizlik oranı verileri kullanılmıştır. TÜFE ve işsizlik oranı bilgileri market verilerinin tarih bilgisi baz alınarak TÜİK otomasyonundan çekilmiştir. Oluşturulan veri kümesinde toplam 13 özellik ve 10000 satır veri bulunmaktadır. Veri kümesinde bulunan ve metin tipinde olan ürün kategori özelliği aşağıdaki tabloda bulunan eşleştirmeye göre sayısallaştırılmıştır.

Ürün Kategorisi	Değer
Temizlik, Kağıt, Kozmetik	1
Gıda, Atıştırmalık	2
Süt, Kahvaltılık	3
Diğer Kategoriler	4
İçecekler	5
Et, Balık	6

Tablo1: Ürün kategori bilgisi veri kümesindeki nümerik karşılığı

Veri kümesindeki bulunan tüm değerler derin öğrenme ağının kullanacağı şekilde normalize edilerek [0,1] aralığına indirgenmiştir. Normalizasyon işlemi ile verileri ölçeklendirmek için Min – Max normalizasyon yöntemi seçilmiş ve her bir özelliğin tüm değerleri arasından minimum, maximum değerleri bulunarak aşağıdaki formüle kullanılmıştır. Min – Max normalizasyon yöntemi, verileri doğrusal olarak normalize eden bir yöntemdir. [10] Bu yöntemle herhangi iki değer arasındaki fark ya da değerlerdeki büyüklük orantısallığı değişmeden normalize işlemi gerçekleşmektedir.

$$X_{yeni} = \frac{X - X_{min}}{X_{max} - X_{min}}$$

X_{yeni} : Normalize edilmiş veri

X : Girdi değeri

X_{max} : Girdideki en büyük sayı

X_{min} : Girdideki en küçük sayı

Verilerin normalizasyonu veri setindeki değerlerin dağılımını daha düzenli hale getirdiği için derin öğrenme ağının çalışma performansını etkilemektedir. Normalizasyon işlemi giriş verileri aktarılırken fonksiyonun aktif bölgesinden aktarılmasını sağlamaktadır. [11] Veri normalizasyonu işlemci elemanlarının verileri kümülatif toplamlarla koruma eğilimleri sebebiyle zorunludur ve aşırı değerlendirilmiş kümülatif toplamların oluşturacağı olumsuzlukların önlenmesini sağlar.

Veri kümesinde bulunan alanlar ve açıklamaları Tablo2’de belirtilmiştir.

Alan Adı	Açıklama
Müşteri Id	Her müşteri için benzersiz olan numara bilgisi
Kategori	Satın alınan ürünün kategori bilgisinin nümerik karşılığı
Adet	Satın alınan ürün adet bilgisi
Tutar	Satın alınan ürün toplam tutar bilgisi
İndirim Oranı	Ürüne uygulanan indirim oranı
Sepet Toplam Adet	Müşterinin yapmış olduğu alışverişteki ürünlerin toplam adet sayısı
Sepet Toplam Tutar	Müşterinin yapmış olduğu alışverişin toplam tutarı
Toplam Müşteri Sayısı	Satışın yapıldığı tarihte alışveriş yapan toplam müşteri sayısı
Günlük Toplam Adet	Satışın yapıldığı tarihteki toplam ürün satış adet sayısı
Günlük Toplam Tutar	Satışın yapıldığı tarihteki toplam ürün satış tutar bilgisi
Tatil	Satışın yapıldığı tarihin tatil olup olmadığı bilgisi
Tüketici Fiyatları Endeks Oranı (Tüfe)	Satışın yapıldığı tarihteki enflasyon oranı
İşsizlik	Satışın yapıldığı tarihteki işsizlik oranı

Tablo2: Veri kümesi alanları ve açıklamalar

Çalışmada “Adet” alanındaki değerler tahmin edilmeye çalışılmıştır. Tablo 3’de çalışmada kullanılan veri kümesinden örnek satırlar verilmiştir.

Müşteri Id	0,0083	0,0118	0,0727	0,0608	0,0730	0,0227	0,0155	0,0131	0,0089	0,0033
Kategori	0,2000	0,2000	0,4000	0,4000	1,0000	0,2000	1,0000	0,8000	0,8000	0,6000
Adet	0,0330	0,0664	0,2664	0,1997	0,0497	0,0097	0,0163	0,0030	0,0664	0,1997
Tutar	0,0063	0,0035	0,0104	0,0057	0,0126	0,0048	0,0331	0,0037	0,0090	0,0195
İndirim Oranı	0,2509	0,8905	0,3852	0,4134	0,4435	0,1424	0,8993	0,0816	0,9011	0,2756
Sepet Toplam Adet	0,0218	0,0264	0,0719	0,0400	0,0218	0,0369	0,0150	0,0223	0,0491	0,1583
Sepet Toplam Tutar	0,0128	0,0099	0,0085	0,0110	0,0072	0,0079	0,0057	0,0124	0,0051	0,0592
Toplam Müşteri Sayısı	0,1818	0,1818	0,1636	0,2364	0,1818	0,1455	0,1818	0,2727	0,1636	0,1273
Günlük Toplam Adet	0,1429	0,0857	0,1119	0,1356	0,1334	0,0767	0,0857	0,1849	0,1532	0,1441
Günlük Toplam Tutar	0,1215	0,0729	0,0945	0,1287	0,0567	0,0701	0,0729	0,1633	0,0901	0,1083
Tatil	0,0000	0,0000	1,0000	1,0000	1,0000	0,0000	0,0000	0,0000	0,0000	0,0000
Tüfe Oranı	0,0000	0,0053	0,0097	0,0097	0,0251	0,0132	0,0053	0,0053	0,0251	0,0132
İşsizlik	0,3119	0,4220	0,5046	0,5046	0,3394	0,4220	0,4220	0,4220	0,3394	0,4220

Tablo3: Veri Kümesi Farklı Müşteri Sepetlerinden Örnek Veri Satırları

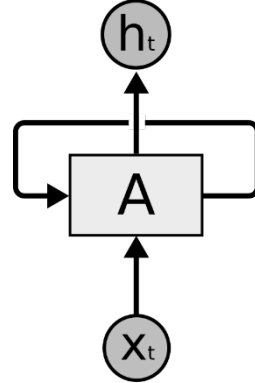
3.2. MODELLER

Bu bölümde çalışmada kullanılan RNN, LSTM ve BiLSTM derin öğrenme yöntemleri açıklanmıştır. Bu modeller zaman serilerini kullanırlar. Zaman serileri verilerin belirli zaman aralıklarında elde edilen ölçüm sonucuna göre oluşturulan dizilerdir. [12] Çalışmada kullanılan veri kümesi tarih sıralı veriler olduğu için zaman serisi olarak analiz edilmiştir.

3.2.1. Tekrarlayan Sinir Ağları (Recurrent Neural Network (RNN))

Yapay sinir ağlarının bir türü olan RNN’ler girdi olarak metin, ses ve zaman serisi verileri gibi ardışık sıralı verileri modellemek için kullanılır. Tekrarlayıcı olarak isimlendirilmelerinin sebebi, bir dizinin her bir elemanı için aynı görevi tekrar tekrar gerçekleştirmesidir. Geleneksel bir sinir ağındaki tüm girdi ve çıktılar genellikle birbirinden bağımsızdır ancak RNN’ler birimleri arasında bağlantılar bulunan ve bu bağlantıların yönlendirilmiş bir döngü oluşturduğu ağlardır. [13] İleri beslemeli ağlardan farklı olarak RNN’lerin girdileri işlemek için kullanabileceği kendi giriş bellekleri vardır. Verileri işlemek için kendi hafızalarından

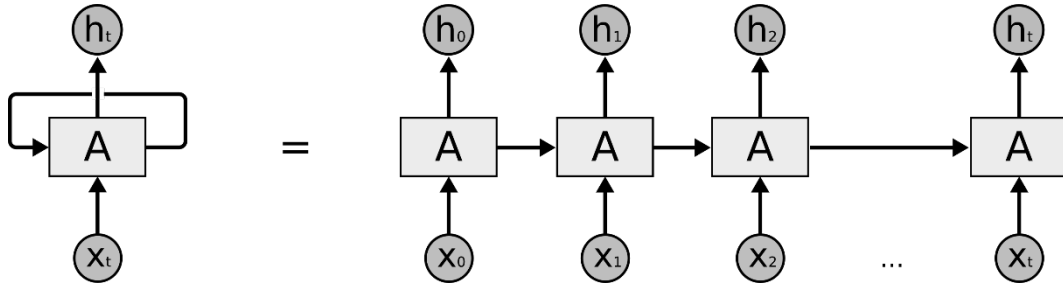
yararlanırlar. RNN'ler döngüsel yapısı ile geçmiş bilgilerin kullanılmasını da sağlayarak zaman serisi boyunca ilerleyen veriler arasında anlamlandırma yapabilmektedir. Şekil 2'de döngü gösterilmiştir. [14]



Şekil2: Basit RNN Yapısı

Yukarıdaki şekilde basit bir tekrarlayan sinir ağı yapısı verilmiştir. 'A' olarak nitelendirilen dikdörtgen, bir yapay sinir ağındaki hücreyi temsil etmektedir. Ağı girdi değeri X , çıktı değeri ise h 'dir. Hücreden çıkan her bir değer yine kendisine gelerek, bir döngü yapısı oluşturmaktadır. Bu döngüsel yapı sayesinde sinir ağı önceki zamana ait bilgileri de kullanabilmekte ve yeni bilgiyi eski bilgi kullanarak anlamlandırabilmektedir. Geleneksel yapay sinir ağlarında, hücrelerden çıkan sonuçlar tekrardan kendilerine girdi olarak gelmemektedir. RNN'de ise hücreden çıkan sonuç, tekrardan kendisine girdi olarak gelmektedir. RNN yapısı zaman diliminde aynı ağı birden fazla kopyasının birbirleri ile bağlantılı hali olarak düşünülebilir.

RNN yapısı açılımı incelendiğinde aşağıdaki şekildeki gibi bir mimari ortaya çıkmaktadır.



Şekil3: RNN açılımı [14]

RNN eğitim işleminde birçok sinir ağında olduğu gibi geri yayılım (Backpropagation) yapılması gerekmektedir. Bu durum RNN yapısı için büyük bir sorunu ortaya çıkarmaktadır. Sinir ağının ağırlıklarının her biri eğitimin her yinelenmesinde mevcut ağırlığa göre hata fonksiyonunun kısmi türev değeriyle orantılı bir şekilde güncellenmektedir. Gradyan tüm ağırlıkların ayarlanabilmesini sağlayan ve kendisinden önceki katmana da bağlı olan değerdir. [15] Birden çok zaman aralığında geri yayılım işlemi sürekli yenilenirse sonuç küçülerek sıfıra yaklaşmakta ve ağırlık değerinin güncellenmesini etkili bir şekilde önlemektedir. Bu durum kaybolan gradyan problemini ortaya çıkarmaktadır. En kötü durumda, sinir ağının daha fazla eğitim almasını durdurabilmektedir. Ters durumda, türevleri büyük değerler alabilen aktivasyon fonksiyonları kullanıldığında ise patlayan gradyan problemiyle karşılaşma riski vardır.

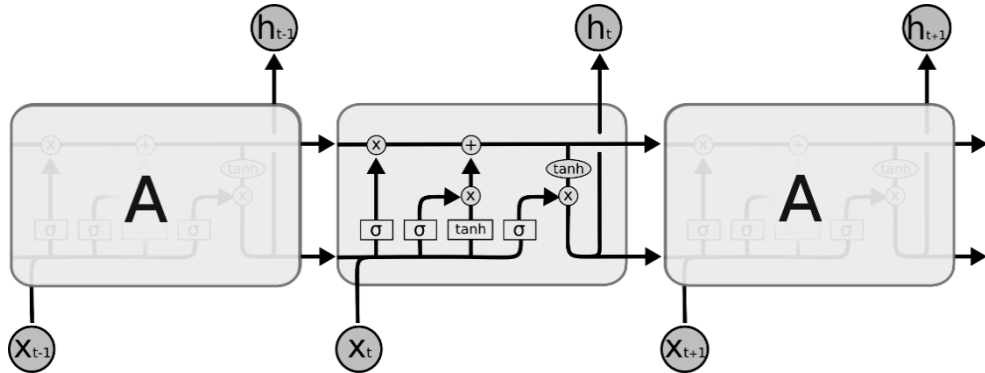
RNN'ler zaman bazlı problemlerde geçmiş ile bağlantı kurup anlamlandırma

özelliğinden dolayı başarılı sonuçlar vermesine rağmen uzun geçmişi hatırlama konusunda zayıftırlar. Bütün bilgiler sinir ağının içerisinde tutulmaktadır ancak bu bilgilerden bazıları önemli iken bazıları gereksiz olmaktadır. Bazı işlemlerde tüm geçmişin saklanması gerek bulunmamaktadır. Bu soruna ve gradyan sorunlarına çözüm için RNN'lerin bir çeşidi olan daha farklı mimarideki LSTM ağları geliştirilmiştir.

3.2.2. Uzun-Kısa Süreli Bellek (Long-Short Term Memory, LSTM))

1997 yılında Juergen Schmidhuber tarafından LSTM ağları kaybolan gradyan ve uzun süreli bağımlılık problemlerine çözüm üretmek için geliştirilen RNN türüdür. RNN'lere göre daha iyi performans sağlayan ve daha tutarlı olan özel iç kapılara sahiptirler. Diğer sinir ağları yapısı ile karşılaştırıldığında LSTM'lerin metin işleme, konuşma tanıma ve tahmin gibi zaman serileri içeren problemleri çözmede oldukça başarılı olduğu görülmüştür. Sahip olduğu ağ tasarımı gradyanların kolaylıkla aktarılmasını sağlamaktadır. [16] LSTM hücreleri girdi verilerini uzun süre hafızada tutma özelliğine sahiptir. Bu hücrelerin hafızaları önceki durum verileri ile o anki giriş verilerini sonraki durum girdisi için kullanmaktadır. Hafızalarında hangi verilerin tutulacağına karar verirler ve sonrasında, önceki durum verileri, o an hafızada bulunan veriler ve girdi verilerini birleştirerek daha etkin sonuçlar üreten bir ağ yapısı oluştururlar.

LSTM ağları birbirine bağlı ardışık ağlardır. LSTM mimarisinde tek bir sinir katmanı yerine tekrarlayan zincir şeklinde dört farklı katman bulunmaktadır.



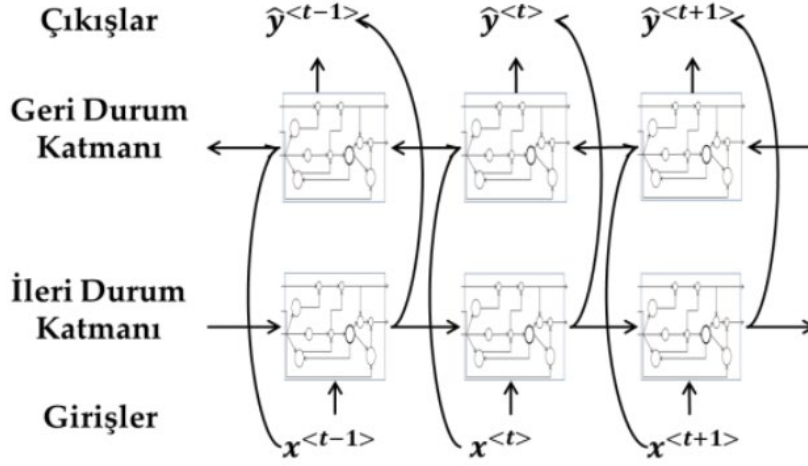
Şekil4: LSTM'de bulunan etkileşimli 4 katman[14]

LSTM sinir ağları içerisinde farklı kapılar ve kapılara bağlı farklı aktivasyon fonksiyonları mevcuttur. Yukarıdaki şekilde sigmoid ve tanh aktivasyon fonksiyonları mevcuttur. LSTM'de bulunan kapılar giriş kapısı, unutma kapısı ve çıkış kapısıdır. Unutma kapısı, LSTM ağının ilk aşaması olup bilginin tutulup tutulmayacağına karar verir. Giriş kapısı sigmoid sinir ağı ve tanjant katmanı yapılarından oluşmaktadır. Sigmoid katmanında hangi değerlerin güncelleneceğine karar verilir, tanjant katmanında saklanması gereken yeni veri yapısı oluşturulur. Çıkış katmanında da tanjant ve sigmoid katmanları bulunmaktadır. Tanjant katmanında, saklanan bilginin ne kadarının kullanılacağına karar verilir iken sigmoid katmanında, yeni gelen bilginin kullanıp kullanılmayacağı belirlenir. Katmanlardan çıkan değerler çarpılarak oluşan değer çıktı değeri olarak belirlenir.

3.2.3. Çift Yönlü Uzun Kısa Vadeli Bellek Ağları (Bidirectional Long-Short Term Memory, (BiLSTM))

Çift yönlü özyinelemeli sinir ağları (BRNNs) bir serinin hem geçmiş hem de gelecek zamanlardaki bilgilerini kullanabilmeyi sağlar. [17] Bu yöntem ile RNN durum nöronları

pozitif zaman ve negatif zaman olmak üzere birbiriyle bağlantısı olmayan iki duruma bölünmektedir. Böylelikle geleneksel RNN yapılarından farklı olarak iki katmandan gelen değerler hesaplanır. Çift yönlü özinyelemeli sinir ağlarında tekrar eden hücrelerde LSTM hücresi kullanılırsa çift yönlü uzun-kısa vadeli bellek ağları (BiLSTM) mimarisi elde edilmektedir.



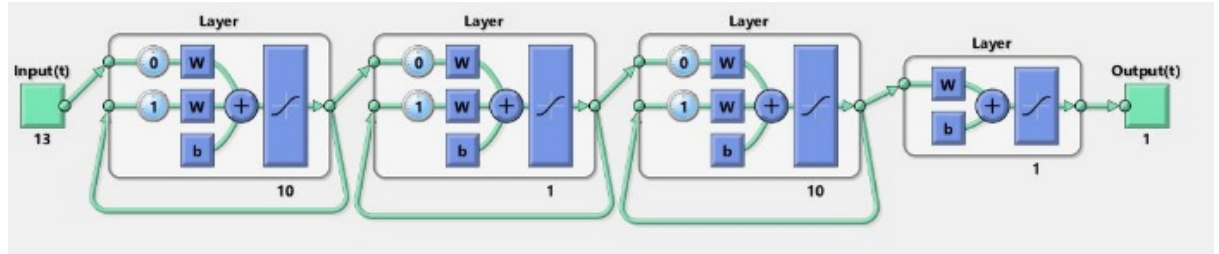
Şekil5: Çift yönlü LSTM ağının ileri geri yönlü zaman dizisi[17]

Bu mimaride ileri ve geri yöndeki işlemler aynı anda yapılır ve çift yönde yapılan hesaplamalar sonucu elde edilen bilgiler birleştirilerek çıktı sonucuna ulaşılır. [18] Bu yöntem sıralı verilerin işlenmesinde avantaj sağlamaktadır.

4. UYGULAMA VE SONUÇLAR

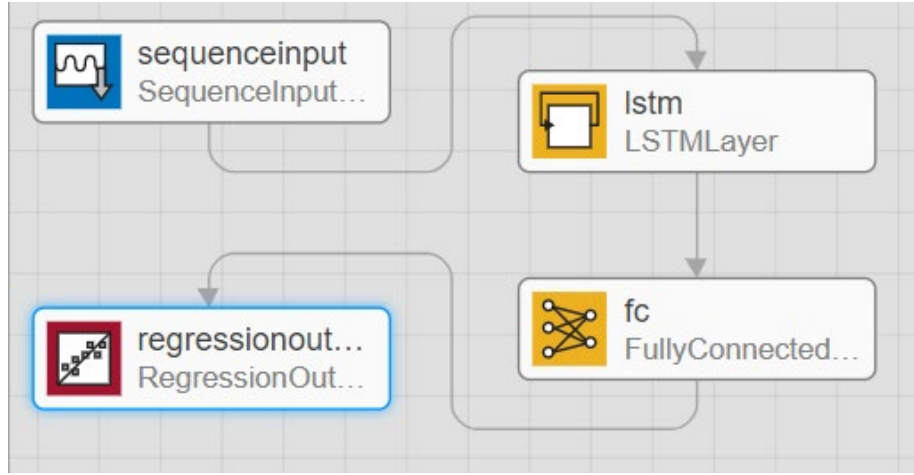
4.1. Uygulama

Oluşturulan RNN modelinin görüntüsü aşağıdaki gibidir.



Şekil6: RNN modeli

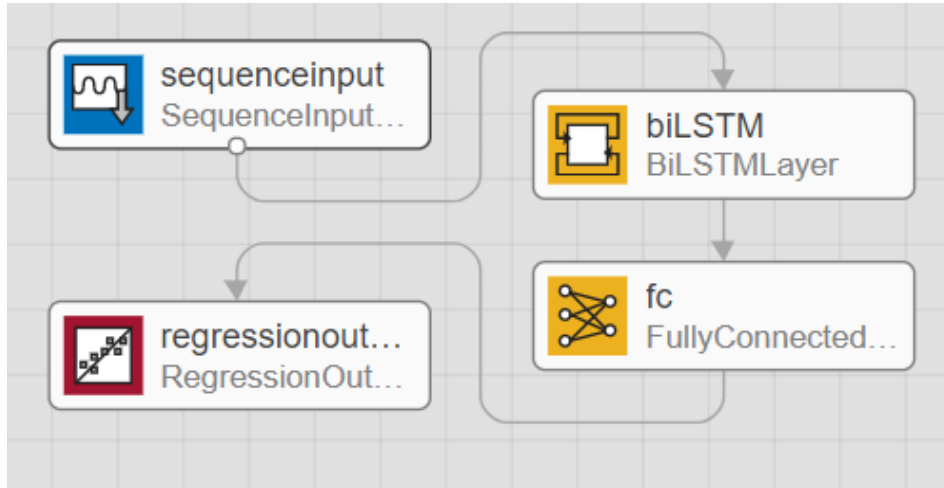
RNN modelinde öğrenme fonksiyonu olarak TRAINGDM (Train Gradient Descent Momentum), öğrenme fonksiyonu uyarlaması (Adapting Learning Function) olarak LEARNGDM (Learn Gradient Descent Momentum) seçilmiştir. Transfer fonksiyonu TANSIG (Tan Sigmoid)'dir. Oluşturulan sinir ağında dört katman her katmanda on nöron mevcuttur. LSTM sinir ağı model tasarımı aşağıdaki şekilde görüldüğü gibidir.



Şekil7: LSTM modeli

Oluşturulan LSTM ve BiLSTM modellerinde girdi değerlerinin tanımlanabilmesi için SequenceInputLayer input değeri olarak seçilmiştir. Modellenen LSTM ağında 200 adet gizli nöron tanımlanmıştır. Aktivasyon fonksiyonları olarak sigmoid ve tanh (hiperbolik tanjant) fonksiyonları kullanılmıştır. Giriş ve gizli katmanlar arasında bağlantının sağlanması için FullyConnectedLayer tanımlanmıştır. Sonuçtaki hata oranının ölçülebilmesi için RegressionOutputLayer kullanılmıştır. Çıkış değeri sequence olarak tanımlanmıştır.

Aşağıdaki şekilde BiLSTM model tasarımı görülmektedir.



Şekil8: BiLSTM modeli

4.2.SONUÇLAR

Çalışmada oluşturulan tüm sinir ağı modellerinde sonuçta oluşan hata oranı ve doğruluk yüzdesini görebilmek için üç metrik kullanılmıştır. Ağların hata oranı ve performanslarının karşılaştırılması için RMSE (Root mean square error) (1), MAE (Mean absolute error) (2) ve gerçek veriler ile tahmin edilen veriler arasındaki doğruluk ilişkisini ölçen R (Correlation coefficient) (3) değerleri hesaplanmıştır. Kullanılan bu ölçütlerin formülleri aşağıdaki gibidir.

$$RMSE = \sqrt{\frac{1}{n}[\sum_{i=1}^n (O_i - P_i)^2]} \quad (1)$$

$$MAE = \frac{1}{n} \sum_{i=1}^n |O_i - P_i| \quad (2)$$

$$R = \sqrt{1 - \frac{\sum_{i=1}^n (O_i - P_i)^2}{\sum_{i=1}^n (O_i - O_m)^2}} \quad (3)$$

MAS INTERNATIONAL EUROPEAN CONFERENCE ON MATHEMATICS-ENGINEERING-NATURAL & MEDICAL SCIENCES-XII

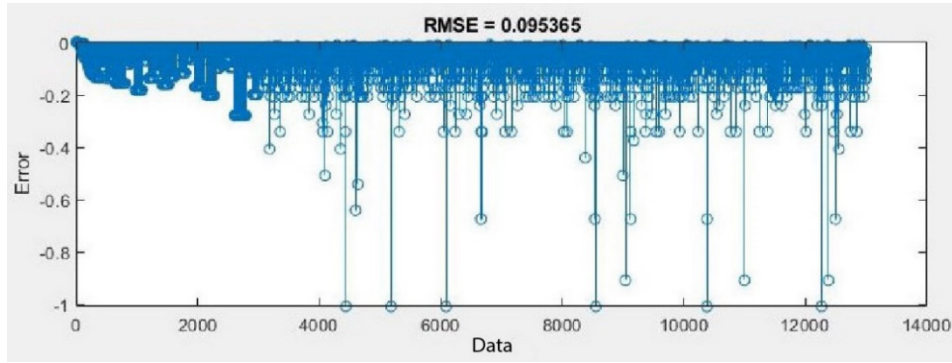
n test için kullanılan veri noktalarının sayısı iken P_i tahmini değeri ifade etmektedir. O_i gözlenen değer, O_m ise gözlenen değerlerin ortalamasıdır.

Tüm modellerde elde edilen performans ölçüt sonuçları Tablo4’de görüldüğü gibidir. Modellerde elde edilen en iyi sonuçlar bulunarak birbirleri ile kıyaslanmıştır.

Model	RMSE	MAE	R
RNN	0,2870	0,2659	0,8367
LSTM	0,0953	0,1064	0,9742
BiLSTM	0,0987	0,1278	0,9534

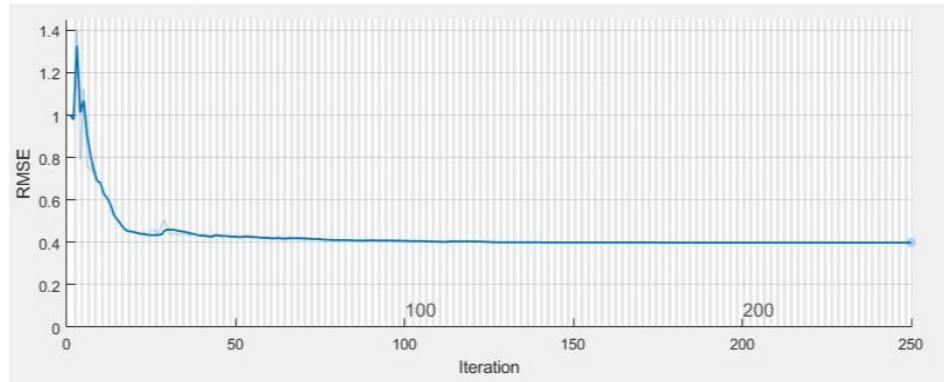
Tablo4: Derin sinir ağı modelleri performans ve doğruluk ölçüt sonuçları

Yukarıdaki tablo incelendiğinde hata sonuçlarından RMSE için 0,0953 ve MAE için 0,1064 ile en düşük değer LSTM modelinde alındığı görülmüştür. Korelasyon katsayısı R değeri açısından kıyaslandığında 0,9742’lik oranla en yüksek doğruluk sonucu LSTM ağına alınmıştır. LSTM ağına RMSE grafiği aşağıdaki gibidir.



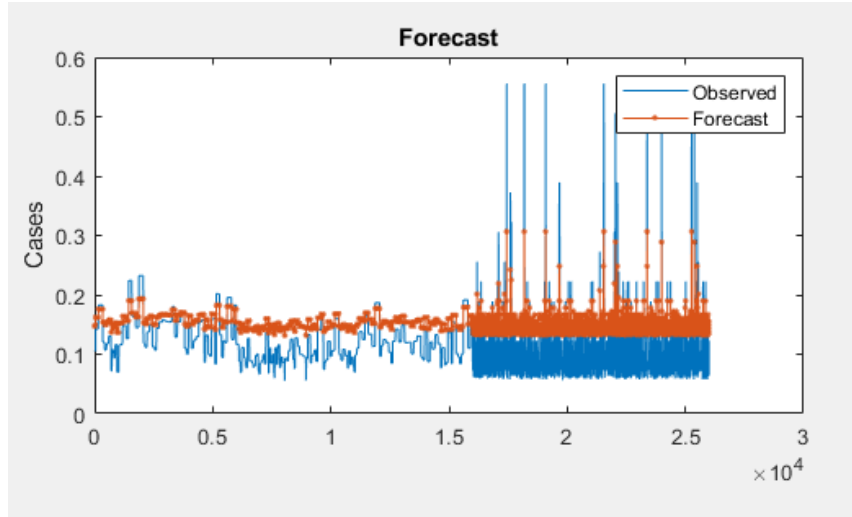
Şekil9: LSTM ağı RMSE değer grafiği

Aşağıdaki grafikte LSTM ağı çalışma esnasında iterasyonlar ilerledikçe RMSE oranının değişimi görülmektedir. Toplam 250 iterasyonda ağı çalışması tamamlanmıştır.



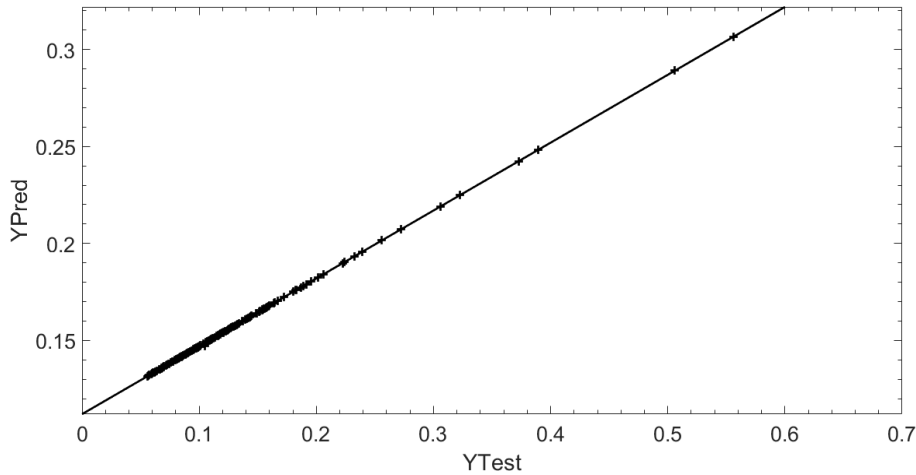
Şekil10: LSTM ağı iterasyon hata grafiği

Test için ayrılan veriler ile çalışma sonucundan tahmin edilen değerler arasındaki ilişkiyi gösteren grafik aşağıdaki gibidir.



Şekil11: LSTM ağı çalışma sonucu test verileri ve tahmin sonuçları ilişki grafiği

Aşağıdaki grafik ise çalışma sonucu tahmin edilen değerler olan YPred değerleri ile, test için ayrılan veriler olan YTest değerleri arasındaki korelasyon ilişkisini göstermektedir.



Şekil12: LSTM ağı çalışma sonucu test verileri ve tahmin sonuçları arasındaki korelasyon grafiği

5.TARTIŞMA

Bu çalışmada bir marketin satış verileri ve satışa etki eden veriler birleştirilerek tarih sıralı büyük bir veri kümesi oluşturulmuştur. Veri kümesindeki değerler ile oluşturulan sinir ağları yapay zekâ ve derin öğrenme yöntemleri kullanılarak zaman serisine dayalı ürün talep tahmini yapılması amaçlanmıştır. RNN, LSTM ve BiLSTM sinir ağları modellenerek tahmin çalışması yapılmış ve tüm modellerde başarılı sonuçlar elde edilmiştir. Hata oranları, performans ve korelasyon katsayısı sonuçları birbirlerine yakın değerler elde edilmiş ancak LSTM ağı en başarılı sonucu vermiştir. Çalışma sonucunda derin öğrenme yöntemleri ile oluşturulan sinir ağlarının zaman serisi ile tahmin işlemleri için uygun oldukları görülmüştür.

TEŞEKKÜR

Bu çalışma Mersin Üniversitesi Bilimsel Araştırma Projeleri Birimince 2019-3-TP2-3745 Proje Numarası ile desteklenmiştir.

KAYNAKÇA

- [1] Türkiye Alışveriş Merkezleri ve Perakendeciler Federasyonu, Dönüşürken Büyüyen Türkiye Perakende Sektörü, Dönüşürken Büyüyen Türkiye Perakende Sektörü. (n.d.).
- [2] D.A.A.S. Dr. Kıyas Kayaalp, Derin Öğrenme ve Türkiye'deki Uygulamaları, 2018.
- [3] I. Goodfellow, Deep Learning, (2016).
- [4] M. Karahan, İstatistiksel tahmin yöntemleri: Yapay sinir ağları metodu ile ürün talep tahmini uygulaması, Selçuk Üniversitesi Sosyal Bilimler Enstitüsü İşletme Anabilim Dalı. (2011) 209.
- [5] Prof. Dr. Bülent Kobu, Üretim Yönetimi - Prof. Dr. Bülent Kobu, Beta Basım Yayım. (2017). <https://www.kitapyurdu.com/kitap/uretim-yonetimi/73199.html> (accessed May 20, 2020).
- [6] R. Ünlü, Zaman Serileri Tahminlenmesinde Makine Öğrenimi ve Derin Öğrenme Tekniklerinin Kıyaslanması: Türkiye Elektrik Üretimi için En İyi Tahmin Modelinin Seçilmesine Yönelik Bir Vaka Çalışması, Süleyman Demirel Üniversitesi Fen Bilim. Enstitüsü Derg. 23 (2019) 359–370. <https://doi.org/10.19113/sdufenbed.494396>.
- [7] C. Xu, J. Ji, P. Liu, The station-free sharing bike demand forecasting with a deep learning approach and large-scale datasets, Transp. Res. Part C Emerg. Technol. 95 (2018) 47–60. <https://doi.org/10.1016/j.trc.2018.07.013>.
- [8] S. Rahman, M.G. Rabiul Alam, M. Mahbubur Rahman, Deep learning based ensemble method for household energy demand forecasting of smart home, 2019 22nd Int. Conf. Comput. Inf. Technol. ICCIT 2019. (2019) 1–6. <https://doi.org/10.1109/ICCIT48885.2019.9038565>.
- [9] A. Çayır, I. Yenİdoğan, H. Dağ, Konutların Günlük Elektrik Güç Tüketimi Tahmini İçin Uygun Model Seçimi, Fırat Üniversitesi Mühendislik Bilim. Derg. 30 (2018) 15–21.
- [10] S.E.E. Profile, Hayvan Hastalığı Teşhisinde Normalizasyon Tekniklerinin Yapay Sinir Ağları Performansı, (2018). <https://doi.org/10.7827/TurkishStudies.11902>.
- [11] M. Deveci, İstatistiksel Normalizasyon Tekniklerinin Yapay Sinir Ağları Performansına Etkisi Muhammet Deveci The Effect Of Statistical Normalization Techniques On The Performance Of Artificial, (2018).
- [12] İ.A. Metin, B. Karasulu, İnsan Aktivitelerinin Sınıflandırılmasında Tekrarlayan Sinir Ağları Kullanan Derin Öğrenme Tabanlı Yaklaşım İnsan Aktivitelerinin Sınıflandırılmasında Tekrarlayan Sinir Ağları Kullanan Derin Öğrenme Tabanlı Yaklaşım Deep Learning-based Approach using Recurrent , (2020).
- [13] G. Şişmanoğlu, F. Koçer, M.A. Önde, Ö.K. Şahİngöz, Araştırma Makalesi / Research Article Derin Öğrenme Yöntemleri ile Borsada Fiyat Tahmini Price Forecasting in Stock Exchange with Deep Learning Methods, 9 (2020) 434–445.
- [14] Christopher Olah, Understanding LSTM Networks, 27-08-2015. (2015). <http://colah.github.io/posts/2015-08-Understanding-LSTMs/>.
- [15] A. Ingolfsson, E. Sachs, Stability and Sensitivity of an EWMA Controller, J. Qual. Technol. 25 (1993) 271–287. <https://doi.org/10.1080/00224065.1993.11979473>.
- [16] Sepp Hochreiter and Jürgen Schmidhuber, Long Short-Term Memory, 2016. <https://www.mitpressjournals.org/doi/10.1162/neco.1997.9.8.1735>.
- [17] A. Tekerek, M. Tekerek, Türkçe İçin Derin Öğrenme Tabanlı Doğal Dil İşleme

modeli geliştirilmesi, (n.d.).

[18] A. Graves, J. Schmidhuber, Framewise phoneme classification with bidirectional LSTM networks BT - Neural Networks, 2005. IJCNN '05. Proceedings. 2005 IEEE International Joint Conference on, 4 (2005) 2047–2052.

YAPAY SİNİR AĞLARI MODELLERİ İLE ÜRÜN SATIŞ TAHMİNİ

Gamze Ayyıldız DOĞANSOY

Mehmet ACI

Ali Osman DOĞANSOY

Mersin Üniversitesi

Özet

Bu çalışmada perakende satış yapan bir marketin satış verileri, satışa etki eden bilgiler ile birleştirilerek oluşan veri kümesi üzerinde işlem yapılmış ve doğru sayıda ürün siparişi verilebilmesi için ürün satış adedi tahmin edilmiştir. Satış yapan işletmelerin temel amacı müşteri ihtiyacını en kısa süre ve maliyetle karşılanmasıdır. Bunun için etkin bir ürün satış tahminine ihtiyaç duymaktadırlar. Ürünlerin gelecek dönem satış adedinin bilinmesi işletmenin başarısını olumlu yönde etkilemektedir. İşletmenin bir sonraki dönemde satış adedinin tahmin edilmesi ile yanlış adette ürün siparişi verilmesinden kaynaklanacak sorunların önüne geçilebilmekte; tahmin sonuçları kullanılarak planlama ve pazarlama alanlarında çalışmalar yapılabilmektedir. Çalışmada bu amaçla Yapay Sinir Ağları (YSA) kullanılmıştır. YSA insan beyni fonksiyonundan esinlenerek deneme yolu ile öğrenme ve genelleştirme yapabilmektedir, bu yönüyle de geleceğin tahmini çalışmalarında sıkça kullanılmaktadır. Dört farklı ağ modeli tasarlanarak modeller eğitilmiş ardından tahmin işlemi gerçekleştirilmiş ve sonuçlar karşılaştırılmıştır. Feed-Forward Neural Network (FFNN), Cascade-Forward Neural Network (CFNN), Function Fitting Neural Network (FITNET) ve Perceptron Neural Network (PNN) modelleri tasarlanarak veriler eğitilmiş ve sonuçlar Mean Squared Error (Ortalama Hata Karesi), Mean Absolute Error (Ortalama Mutlak Hata) (MAE) ve Correlation Coefficient (Korelasyon Katsayısı) değerleri ile karşılaştırılmıştır. Elde edilen sonuçlar incelendiğinde tüm yapay sinir ağı modellerinde başarılı sonuçlar elde edildiği gözlemlenmiştir. Modeller arasında yapılan karşılaştırmada FFNN modeli ile hata oranları ve doğruluk katsayı metrikleri açısından daha iyi sonuçlar alındığı görülmüştür.

Anahtar Kelimeler: Yapay Zekâ, Yapay Sinir Ağları, Satış Tahmini

PRODUCT SALES PREDICTION WITH ARTIFICIAL NEURAL NETWORKS MODELS

Abstract

In this study, the sales data of a retail market was combined with the information affecting the sales and the data set was calculated and the number of product sales was estimated in order to order the right number of products. The main purpose of the selling companies is to meet the customer needs with the shortest time and cost. For this, they need an effective product sales forecast. Knowing the number of future sales of the products positively affects the success of the business. By predicting the number of sales of the business in the next period, problems arising from ordering the wrong quantity of products can be prevented; Studies can be done in the fields of planning and marketing by using the results of the forecast. Artificial Neural Networks (ANN) were used for this purpose in the study. ANN can learn and generalize through experimentation, inspired by the human brain function, and it is frequently used in future predictions. Four different network models were designed, the models were trained, then estimation was performed and the results were compared. Feed-Forward Neural Network

(FFNN), Cascade-Forward Neural Network (CFNN), Function Fitting Neural Network (FITNET) and Perceptron Neural Network (PNN) models have been designed and the data has been trained and the results are Mean Squared Error (MSE), Mean Absolute Error (MAE) and Correlation Coefficient (R) values were compared. When the obtained results were examined, it was observed that successful results were obtained in all artificial neural network models. In the comparison between the models, it was seen that with the FFNN model, better results were obtained in terms of error rates and accuracy coefficient metrics.

Keywords: Artificial Intelligence, Artificial Neural Networks, Sales Forecast

1.GİRİŞ

Günümüzde sanayinin gelişmesi, dünyanın küreselleşmesi, ülkemizde artan nüfus yoğunluğu ve beraberinde artan ihtiyaçlar ile perakende satış sektörü sürekli gelişim göstermektedir. Perakende satış mağazaları ülkemizdeki hizmet sektörünün en önemli kurumlarını oluşturmaktadır. Son yıllarda market sayılarının artması ile birlikte bu sektörde rekabet yoğunlaşmıştır. Perakende satış mağazalarının artan rekabete direnerek gelişmeye devam edebilmesi için etkili bir satış planlaması yaparak maliyetini en aza indirmesi ve müşteri memnuniyeti sağlaması gerekmektedir. Perakende sektöründeki firmaların temel amacı müşteri talebinin zamanında ve minimum maliyetle karşılanabilmesidir. Bu nedenle perakende sektöründe etkin bir ürün satış tahminine ihtiyaç duyulur. Satış tahmini karar vericilerin başarılı olmalarında önemli bir rol oynamaktadır. Satılacak ürün adedinin doğru bilinmemesi halinde, ya stok fazlası ve imha gibi durumlar oluşacak ya da ürünün mağaza stokunda bulunamaması müşteri memnuniyetsizliğine sebep olup müşteri kaybı yaratacaktır.

Bu çalışmada müşteri alışveriş hareketleri analiz edilerek doğru sayıda ürün siparişi verilebilmesi için ürün satış adedi tahmin edilmiştir. Çalışmada perakende satış mağazaları olan Groseri Gıda ve İhtiyaç Maddeleri Tic. Ltd. Şti. (Groseri) firmasından alınan satış verileri kullanılmıştır. Yapay Sinir Ağları (YSA) kullanılarak tahmin işlemi gerçekleştirilmiştir ve sonuçlar karşılaştırılıp analiz edilmiştir. Çalışmanın amacı mağazanın bir sonraki dönemde ürün bazında günlük satış adedinin tahmin edilmesi ve bu sayede fazla veya az ürün siparişi verilmesinden kaynaklanan sorunların önüne geçilmesidir.

İnsan beyni fonksiyonundan esinlenen YSA deneme yolu ile öğrenme ve genelleştirme yapabilmektedir. YSA'nın kullanıldığı önemli alanlardan biri de geleceğin tahminidir. YSA girdi ve çıktı değişkenleri arasında herhangi bir ön bilgiye ihtiyaç duymadan ve varsayımda bulunmadan, doğrusal olmayan modellemeyi sağlayabilmektedir [1].

Çalışmada dört farklı YSA modeli tasarlanmıştır. Bunlar Feed-Forward Neural Network (FFNN), Cascade-Forward Neural Network (CFNN), Function Fitting Neural Network (FITNET) ve Perceptron Neural Network (PNN) modelleridir. Tasarlanan bu dört farklı YSA modelinin veri kümesi ile eğitilmesinin ardından en uygun model Mean Squared Error (Ortalama Hata Karesi) (MSE), Mean Absolute Error (Ortalama Mutlak Hata) (MAE) ve Correlation Coefficient (Korelasyon Katsayısı) (R) değerlerinin karşılaştırılması ile belirlenmiştir. Çalışmada tasarlanan YSA modelleri (FFNN, CFNN, FITNET, PNN) MATLAB ortamında oluşturulmuştur. Groseri firmasından alınan satış verilerine, Türkiye İstatistik Kurumu (TÜİK) veritabanından alınan satışa etki eden istatistik verileri eklenmiştir. Verilerin %70'i eğitim, %15'i doğrulama ve %15'i test işlemi için ayrılarak YSA'da

işlenmiştir. Her bir model için farklı sayıda katman ve nöron sayıları test edilerek en yüksek doğruluk oranında sonuç veren model belirlenmiştir.

2.ÖNCEKİ ÇALIŞMALAR

Talep tahmini, tüketicilerin gelecekte ne kadar mal ve hizmet talep edeceklerinin kestirilmesidir. Bu tahmin işletmenin üretim seviyesinin saptanmasında temel oluşturur. Hangi ürünün üretileceği, tüketicilerin bu üründen ne kadar talep edecekleri ve bu talebin çoğunlukla hangi tarihlerde gerçekleşme olasılığının bulunduğu talep tahminleri ile yorumlanır. Satış tahmini, talep tahmini türlerinden biridir; kısa dönem satışları için yapılan bu tahmin satış kampanyalarının ve diğer pazar stratejilerinin planlanmasında kullanılır [2]. Son yıllarda talep tahmini konusunda birçok çalışma yapılmıştır. Çalışmalarda genellikle YSA veya istatistiksel yöntemler kullanılmış ve bazı başarılı sonuçlar elde edilmiştir.

Satoğlu ve Eren tarafından YSA ile perakende giyim sektöründe yapılan bir çalışmada iki farklı YSA modeli kurulmuştur [3]. Birinci tip YSA modeli mevsimselliği dikkate almakta iken diğeri mevsimsel olmayan yapıdadır. Her iki ürün için YSA modelleri kullanılarak ürün satışı tahmin edilmeye çalışılmıştır. Özellikle mevsimselliği dikkate alan Zaman Serisi YSA modelinin, klasik YSA modeline kıyasla mevsimsel talep yapısına sahip ürünün talebini daha doğru tahmin ettiği görülmüştür. Bu çalışmada oluşturulan model sayısının yetersiz olması ve verilerin kullanımının iyi yapılamaması gibi nedenlerden dolayı tahmin edilmeye çalışılan ürünlerden birinde başarılı sonuçlar elde edilememiştir.

Karaatlı ve ark. tarafından yapılan bir diğer çalışmada ise Türkiye’de yeni otomobil satış rakamları YSA kullanılarak tahmin edilmiştir [4]. Çalışmada otomobil satışını etkileyen değişkenler gayri safi yurtiçi hasıla, reel kesim güven endeksi, tüketici güven endeksi, yatırım harcamaları, tüketim harcamaları, tüketici fiyat endeksi, araç alım satımı, dolar kuru ve zaman olarak belirlenmiştir. Yapılan tahminler gerçek değerlerle karşılaştırıldığında genel olarak tahmin edilen ve gerçekleşen değerlerin birbirlerine yakın olduğu görülmektedir. Bu durum çalışma sonucunda yapılan tahminlerin genel olarak başarılı olduğunu göstermektedir. Ancak Ekim ve Kasım aylarında tahminler ile gerçekleşen değerler arasında farkın fazla olduğu görülmektedir. Bu çalışmada tahmin edilmeye çalışılan zaman aralıklarının tümünde başarılı olunamamasının nedenleri arasında az model oluşturarak az veri ile çalışılmasının yanı sıra incelenen faktörler arasında kampanya dönemleri gibi etkenlerin bulunmaması sayılabilir.

3.VERİ KÜMESİ VE MODELLER

3.1.VERİ KÜMESİ

Veri kümesindeki değerler YSA’nın kullanacağı şekilde normalize edilmiş ve [0,1] aralığına ölçeklenmiştir. Verilerin normalizasyonu için seçilen yöntem YSA’nın performansını doğrudan etkileyecektir. Çünkü normalizasyon, giriş verilerinin transfer edilirken fonksiyonun aktif olan bölgesinden aktarılmasını sağlar. Veri normalizasyonu, işlemci elemanlarının verileri kümülatif toplamlarla koruma eğilimleri nedeniyle zorunludur ve aşırı değerlendirilmiş kümülatif toplamların oluşturacağı olumsuzlukların engellenmesini sağlar [5]. Veri kümesinin [0,1] arasında bir değere ölçeklenebilmesi için X_{min} - X_{max} aralığı bulunmuş ve aşağıdaki formüle göre ölçeklendirme yapılmıştır.

$$X_{yeni} = \frac{X - X_{min}}{X_{max} - X_{min}}$$

X_{yeni} : *Normalize edilmiş veri*

X : *Girdi değeri*

X_{max} : *Girdideki en büyük sayı*

X_{min} : *Girdideki en küçük sayı*

Veri kümesinde bulunan alanlar ve açıklamaları Tablo1’de belirtilmiştir.

Alan Adı	Açıklama
Toplam Adet	Günlük satılan ürün adedi toplamı, hedef verisidir.
Toplam Tutar	Günlük satılan ürün tutarı net toplamı, giriş verisidir.
İndirim Oranı	Ürünlere uygulanan günlük indirim oranı ortalaması, giriş verisidir.
Müşteri Sayısı	Günlük toplam müşteri sayısı, satış bazlıdır, giriş verisidir.
Tüketici Fiyatları Endeks Oranı (TÜFE)	Satışın yapıldığı tarihteki enflasyon oranı, giriş verisidir.
İşsizlik Oranı	Satışın yapıldığı tarihteki işsizlik oranı, giriş verisidir.
Tatil	Satışın yapıldığı tarihin tatil olup olmadığı bilgisi, giriş verisidir.

Tablo1: Veri kümesi alan ve açıklamaları

Veri kümesinde bulunan tüm verilerin tipi nümerik olarak düzenlenmiş, normalizasyon işlemi sonrası MATLAB programına aktarılmıştır.

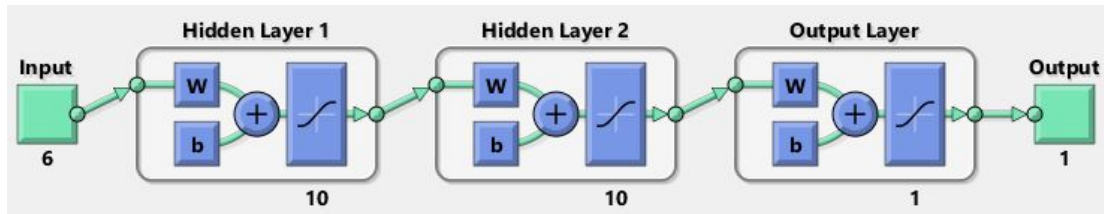
Toplam Adet	Toplam Tutar	Müşteri Sayısı	TÜFE	İşsizlik	İndirim Oranı	Tatil
0,12	0,06	0,09	0,01	0,42	0,12	0,00
0,11	0,07	0,09	0,01	0,42	0,08	0,00
0,09	0,09	0,11	0,01	0,42	0,16	0,00
0,06	0,06	0,15	0,01	0,42	0,96	0,00
0,16	0,16	0,20	0,01	0,42	0,36	0,00
0,02	0,02	0,02	0,01	0,42	0,44	1,00
0,17	0,11	0,09	0,01	0,42	0,40	1,00
0,12	0,06	0,07	0,01	0,42	0,04	0,00
0,10	0,09	0,13	0,01	0,42	0,00	0,00

Tablo2: Veri kümesi örnek değerler

3.2. MODELLER

Feed-Forward Neural Network (FFNN)

Oluşturulan FFNN modelinin görüntüsü Şekil1’deki gibidir.



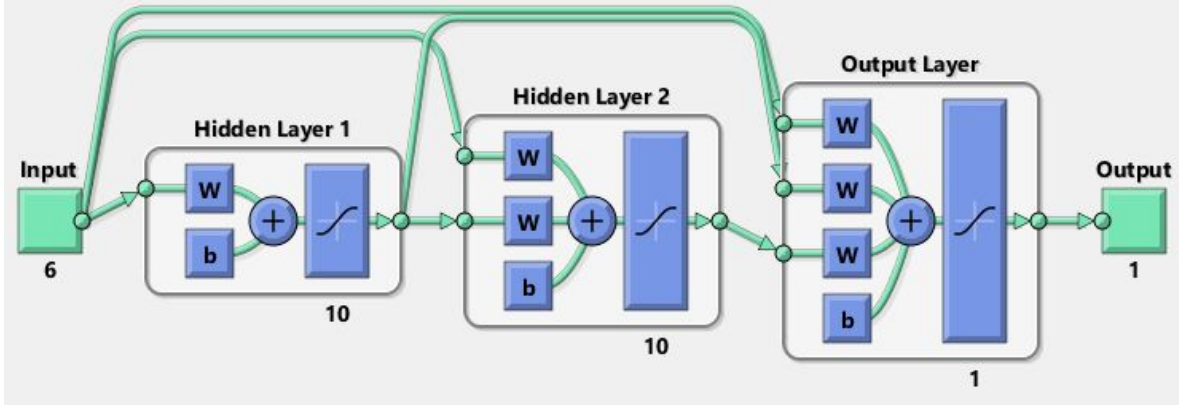
Şekil1: FFNN Yapısı

FFNN modelinin özellikleri aşağıdaki gibidir:

- Gizli Katman Sayısı: 2
- Öğrenme Fonksiyonu: Scaled Conjugate Gradient (TrainSCG)
- Adapting Learning Function: Gradient Descent Momentum (LearnGDM)
- Transfer Fonksiyonu: Tan Sigmoid (Tansig)

Cascade-Forward Neural Network (CFNN)

Oluşturulan CFNN modelinin görüntüsü Şekil2'deki gibidir.



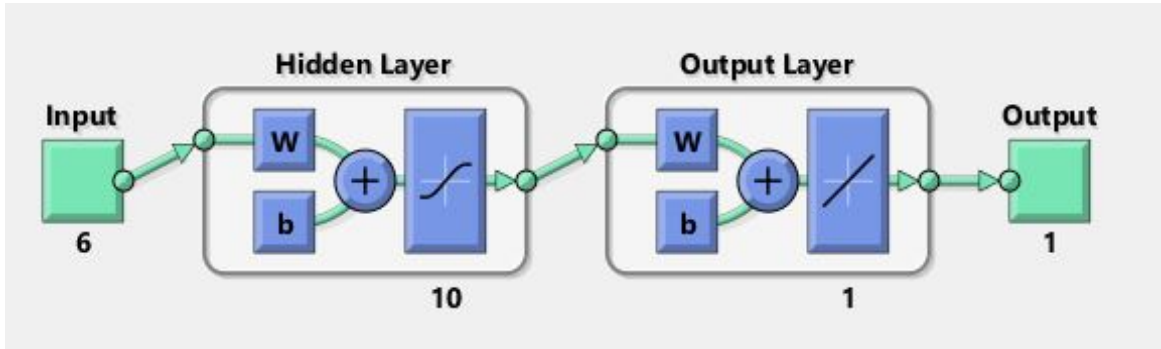
Şekil2: CFNN Yapısı

CFNN modelinin özellikleri aşağıdaki gibidir.

- Gizli Katman Sayısı: 2
- Öğrenme Fonksiyonu: Scaled Conjugate Gradient (TrainSCG)
- Adapting Learning Function: Gradient Descent Momentum (LearnGDM)
- Transfer Fonksiyonu: Tan Sigmoid (Tansig)

Function Fitting Neural Network (FITNET)

Oluşturulan FITNET modelinin görüntüsü Şekil3'deki gibidir.



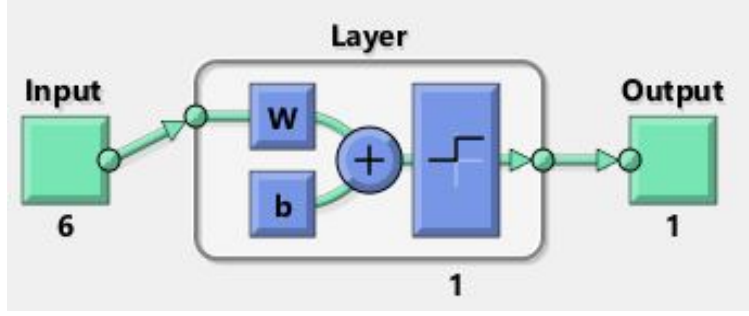
Şekil3: FITNET Yapısı

FITNET modelinin özellikleri aşağıdaki gibidir.

- Gizli Katman Sayısı: 1
- Öğrenme Fonksiyonu: Levenberg-Marquardt

Perceptron Neural Network (PNN)

Oluşturulan PNN modelinin görüntüsü Şekil4'teki gibidir.



Şekil4: PNN Yapısı

PNN modelinin özellikleri aşağıdaki gibidir.

- Gizli Katman Sayısı: 0
- Öğrenme Fonksiyonu: Normalized perceptron weight/bias learning function (LearnPN)
- Transfer Fonksiyonu: Hard-Limit Transfer Function (HARDLIM)

4.SONUÇLAR VE TARTIŞMA

4.1.SONUÇLAR

Oluşturulan tüm YSA modellerinde performans ve doğruluk tespiti için üç ölçüt kullanılmıştır. Bu amaçla MSE (Mean square error) (1), MAE (Mean absolute error) (2) ve gerçek çıktı değeri ile tahmin edilen çıktı değeri arasındaki doğruluk ilişkisini ölçen R (Correlation Coefficient) (3) değerleri hesaplanmıştır. Kullanılan bu ölçütlerin formülleri aşağıdaki gibidir.

$$MSE = \frac{1}{n} [\sum_{i=1}^n (O_i - P_i)^2] \quad (1)$$

$$MAE = \frac{1}{n} \sum_{i=1}^n |O_i - P_i| \quad (2)$$

$$R = \sqrt{1 - \frac{\sum_{i=1}^n (O_i - P_i)^2}{\sum_{i=1}^n (O_i - O_m)^2}} \quad (3)$$

Fonksiyonlarda bulunan n değeri test için kullanılan veri noktalarının sayısı iken P_i tahmin edilen değeri ifade etmektedir. O_i gözlenen değer, O_m ise gözlenen değerlerin ortalamasıdır.

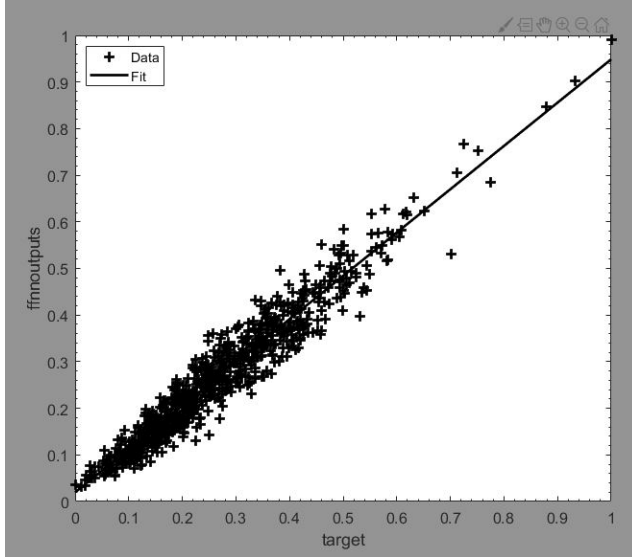
Tüm modellerde elde edilen performans ölçüt sonuçları Tablo3'te görüldüğü gibidir. Modellerde elde edilen en iyi sonuçlar bulunarak birbirleri ile kıyaslanmıştır.

Model	MSE	MAE	R
FFNN	0.0911	0.2060	0.9653
CFNN	0.0989	0.2889	0.8952
FITNET	0.0943	0.2487	0.9616
PNN	0.0919	0.2114	0.8853

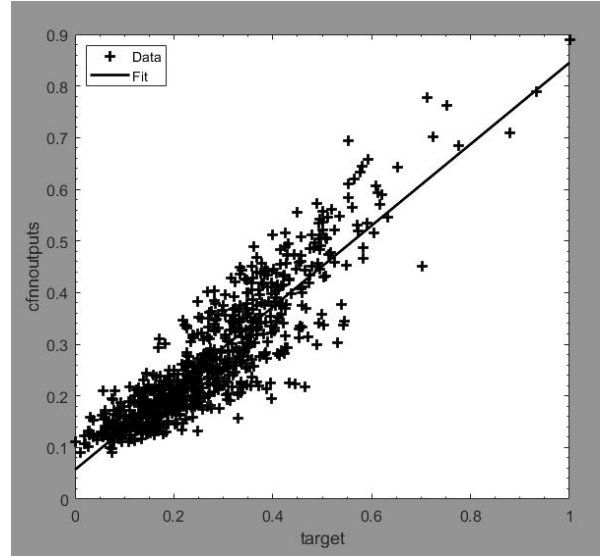
Tablo3:YSA modelleri performans ölçüt sonuçları

En düşük hata sonuçlarınının MSE için 0.0911 ve MAE için 0.2060 olmak üzere FFNN modelinde alınmıştır. En yüksek R değeri 0.9653 ile yine FFNN modelinde elde edilmiştir.

FFNN modelinde elde edilen 0.9653 korelasyon katsayısı değerinin regresyon analiz grafiği sonucu Şekil5'te; CFNN modelinin çalışması sonucu elde edilen 0.8952 R değeri regresyon analiz grafiği sonucu Şekil6'daki gibidir.

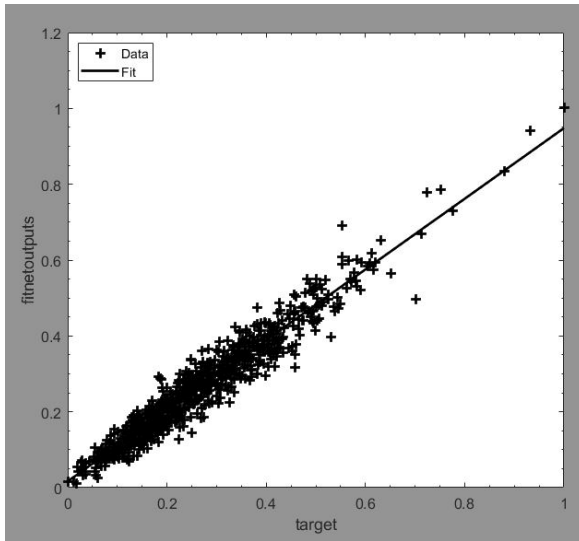


Şekil5: FFNN Regresyon Analizi

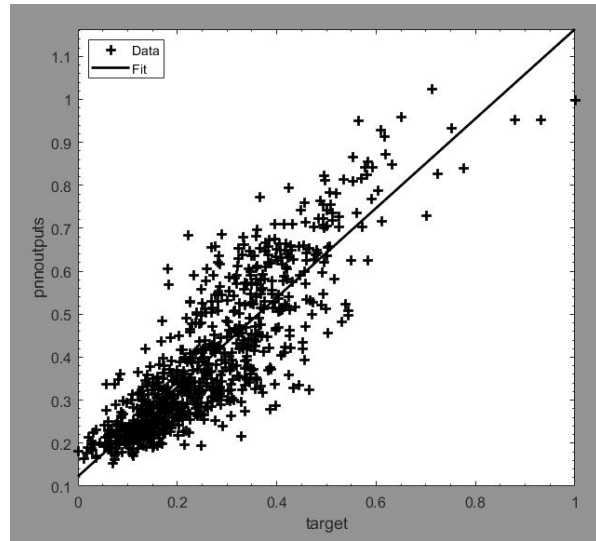


Şekil6: CFNN Regresyon Analizi

ITNET modeli ile elde edilen 0.9616 R değeri regresyon analiz grafiği sonucu Şekil7’de; PNN ile elde edilen 0.8853 R değeri regresyon analiz grafiği Şekil8’de aşağıda verilmiştir.



Şekil7: FITNET Regresyon Analizi



Şekil8: PNN Regresyon Analizi

4.2. TARTIŞMA

Bu çalışmada bir marketin satış verileri, satışa etki eden veriler ile birleştirilerek oluşan veri kümesi üzerinde işlem yapılmış ve bir sonraki dönemde satılacak ürün adedi tahmin edilmiştir. Bu amaçla dört farklı YSA modeli tasarlanmış ve başarılı sonuçlar elde edilmiştir. Kolerasyon katsayısına göre kıyas yapıldığında en yüksek doğruluk oranlarının sırasıyla FFNN ve FITNET ağlarında elde edildiği görülmüştür. En düşük hata MSE ve MAE hata değerleri

MAS INTERNATIONAL EUROPEAN CONFERENCE ON MATHEMATICS-ENGINEERING-NATURAL & MEDICAL SCIENCES-XII

ise sırasıyla FFNN ve PNN modellerinde elde edilmiştir. Bu başarılı sonuçlar, mevcut yöntemlerin iyileştirilebileceğini ve farklı yöntemler/modeller kullanılarak daha iyi sonuçların alınabileceğini göstermektedir.

TEŞEKKÜR

Bu çalışma Mersin Üniversitesi Bilimsel Araştırma Projeleri Birimince 2019-3-TP2-3745 Proje Numarası ile desteklenmiştir.

KAYNAKÇA

- [1] B. Ataseven, Yapay Sinir Ağları İle Öngörü Modellemesi, Öneri Derg. 10 (2013) 101-115–115. doi:10.14783/od.v10i39.1012000311.
- [2] S.Y. D. Tosun, Z. Dingilli, Talep Tahmini Yönetimi ve Sağlık Kuruluşlarında Talep Tahmini, (2010).
- [3] Ş.I. Satoğlu, U. Eren, Perakende Giyim Sektöründe Yapay Sinir Ağları ile Talep Tahmini, Endüstri-İşletme Mühendisliği Kurult. (2017).
- [4] M. Karaatlı, Ö.C. Helvacıoğlu, N. Ömürbek, G. Tokgöz, Yapay Sinir Ağları Yöntemi İle Otomobil Satış Tahmini, Int. J. Manag. Econ. Bus. 8 (2012). doi:10.11122/ijmeb.2012.8.17.290.
- [5] S. Yavuz, M. Deveci, İstatistiksel Normalizasyon Tekniklerinin Yapay Sinir Ağın Performansına Etkisi, Erciyes Üniversitesi İktisadi ve İdari Bilim. Fakültesi Derg. 40 (2012) 167–187.

**ÜLKELERİN MİLLİ GÜÇ UNSURUNUN(MGU) YAPAY ZEKÂ
TEKNİKLERİ İLE BELİRLENMESİ VE KARŞILAŞTIRILMASI**

Bekir AKKUŞ
Mehmet Melih İNAL
Kocaeli Üniversitesi

Özet

Dünyada küresel güçlerin merkezde olduğu ve bölgesel yeni aktörlerin ortaya çıktığı günümüzde ülkemizin hangi konumda olduğunun belirlenmesi önem arz etmektedir. Bu çalışma ile ülkelerin milli güç unsurunun (MGU) yapay zekâ teknikleri ile karşılaştırmaları yapılarak önceden strateji geliştirilebilmesi hedeflenmektedir. Bu bilginin elde edilmesi sonucunda öncelikle ülkemizin askeri ve sağlık alanındaki savunma stratejilerinin belirlenmesi, eksik olduğumuz durumların öngörülebilmesi ile gerekli tedbirlerin önceden alınabilmesi konularında değerlendirilebileceği amaçlanmaktadır. Bu çalışma Aktif Personel, Saldırı Uçakları, Saldırı Helikopterleri, Muharebe Tankları, Toplam Deniz Unsurları, İş Gücü, Başlıca Limanlar ve Terminaller, Demiryolu Kapsamı (km) ve Satın alma Gücü Paritesi gibi MGU verileri ile eğitici/eğitici olmayan yapay zekâ algoritmaları kullanılarak Matlab platformunda eğitimleri yapılmıştır. Daha sonra eğitim aşamasında kullanılmayan veriler test edilerek elde edilen bilgiler doğrultusunda ülkelerin askeri güçleri veya farklı yaş gruplarındaki insan güçleri karşılaştırılıp ülkemizin bulunduğu yer ve durum analiz edilmiştir. Bu çalışmada elde edilen MGU içeriklerinde yer alan insan gücü yaş aralıklarındaki frekansın önemi kara, hava ve deniz askeri gücünün doğru bir şekilde konumlandırılması ile ülkemizin hem askeri hem de sağlık alanındaki savunma gücünün ne kadar iyi durumda olabileceği görülebilmektedir. Ülkemizin farklı ülke topluluklarında hak ettiği yerde olabilmesi, hatta daha iyi konumda olabilmesi için, rakip ülkelerin askeri ve insan gücünün ne durumda olduğunu görebileceğimiz analizlerin değerli olduğu ortaya çıkmaktadır.

Anahtar Kelimeler: insan gücü, milli güç unsurları, yapay zeka, yapay sinir ağları

**THE NATIONAL POWER FACTOR OF COUNTRIES (NPF) IDENTIFICATION AND
COMPARISON WITH ARTIFICIAL INTELLIGENCE TECHNIQUES**

Abstract

In today's world where global powers are at the center and new regional actors emerge, it is important to determine the position of our country. The aim of this study is to compare the national power factor of countries (NPF) with artificial intelligence techniques and to develop a strategy in advance. As a result of obtaining this information, it is aimed that it can be evaluated in terms of determining the defense strategies of our country in the field of military and health, predicting the situations we are missing, and taking necessary measures in advance. This study was trained on the Matlab platform using supervised / unsupervised artificial intelligence algorithms with NPF data such as Active Personnel, Attack Aircraft, Attack Helicopters, Combat Tanks, Total Naval Assets, Labor Force, MajorPorts / Terminals, RailwayCoverage (km) and Purchasing Power Parity. Then, in line with the information obtained by testing the data not used during the training phase, the military forces of the countries or the human forces in different age groups were compared and the location and

situation of our country were analyzed. The importance of the frequency in the manpower age ranges in the NPF contents obtained in this study can be seen how well our country's defense power in both military and health can be in good condition by the correct positioning of land, air and naval military power. In order for our country to be in the place it deserves in different country communities and even in a better position, the analysis that we can see how the military and manpower of the rival countries is valuable.

Keywords: manpower, national power factors, artificial intelligence, artificial neural networks

1.GİRİŞ

Milli güç, bir ülkenin iç ve dış politika uygulamalarında ulusal çıkarların gerçekleştirilmesini sağlayan, milli hedeflerin elde edilmesinde siyasi otorite tarafından kullanılacak toplam gücü ifade eder. Devlet yönetimini üstlenen siyasi otoritenin asli görevi; milleti, belirlenmiş milli menfaatlere ulaştırmaktır. Milli strateji olarak nitelenen bu amaç genellikle uzun süreli hazırlık ve hareket tarzlarının uygulanmasıyla gerçekleştirilir[1].

Milli güç unsurları / faktörleri bir milletin güçlenmesine katkı sağlayan temel öğeleri belirtmek için kullanılan terimlerdir. Bunlara aynı zamanda ulusu güçlü kılan etkenlerde denilmektedir[1]. Bunlar gerektiğinde savaşın yönetimine önemli katkılar sağlar. Harp bir kuvvet eylemidir. Kuvvetin harekete geçmesidir. Karakter itibarıyla diplomatiktir, psikolojiktir, ekonomiktir[2]. Politikanın diğer vasıtalarla devamıdır. Böylece savaşların kazanılmasında, silahlı gücün yanında bütün milli güçlerin katılması ile kazanılabileceği ilkesi ortaya çıkmıştır[3].

Milli Güç Unsurları;

- İnsan Gücü Unsuru
- Coğrafi Güç Unsuru
- Psiko-Sosyal Güç Unsuru (Sosyo - Kültürel Güç Unsuru)
- Teknolojik Güç Unsuru
- Politik ve İdari Güç Unsuru (Siyasi Güç Unsuru)
- Ekonomik Güç Unsuru
- Askeri Güç Unsuru

olarak listelenir[3].

Makinelerin yazılım algoritmaları sayesinde problem çözme yeteneğine (olguları kavrama, muhakeme etme ve sonuç çıkarma yeteneklerinin bütününe) sahip olması Yapay Zekâ olarak adlandırılmaktadır[4].

Problemin çözülebilmesi için ortada öncelikle bir problem, problemi kavrayacak bir algı (algılayıcılar) ve çözüm aramada kullanılacak bir bilgi veri tabanı ile bütün bu işlemleri yürütüp analiz yapabilecek bir algoritma(Yapay Zekâ Tekniği) olması gerekir[4].

2.MATERYAL VE YÖNTEM

Bu çalışmamızda yapay zeka tekniği olarak ANFIS (Adaptive Neuro-Fuzzy Inference System) kullanılmıştır. ANFIS, 5 katmanlı ileri beslemeli bir yapay sinir ağı yapısına sahiptir[5]. Bu katmanların görevleri şu şekilde özetlenebilir:

1. Katman: Girdi değişkenlerinin her biri adaptif bir bağlantı ucu (node) oluşturur, yani node sayısı girdi değişkeni sayısına eşittir. Bu değişkenlerin üyelik fonksiyonları node

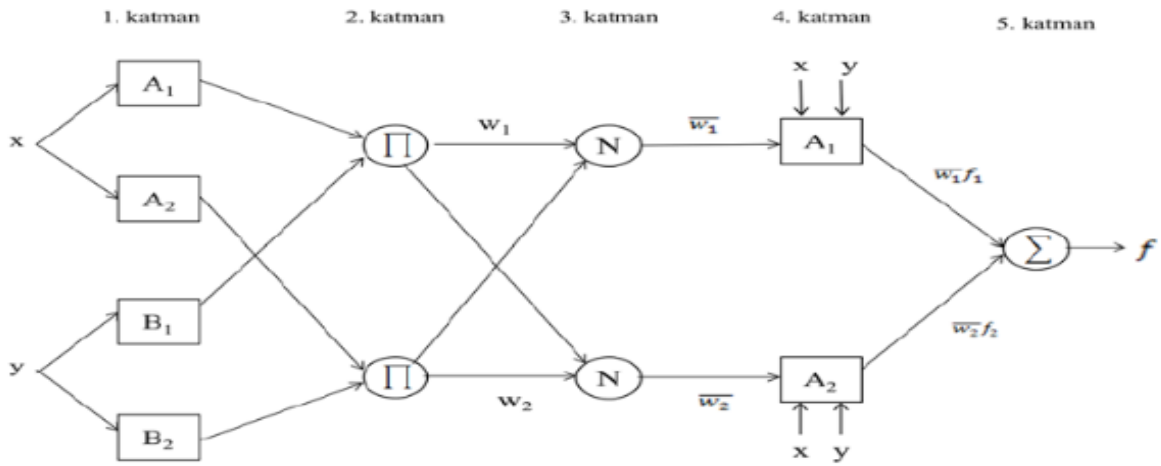
fonksiyonu olarak kullanılır. Bu üyelik fonksiyonlarının parametreleri “öncül parametreler” olarak adlandırılır[5].

2. Katman: Node’lar sabit karakterdedir. Node sayısı kural sayısına eşittir. Node girdileri, kuralların öncül kısmındaki değişkenlerin üyelik fonksiyon değerleri, node çıktıları ise, kuralların ağırlık dereceleri[5].

3. Katman: Node girdileri, kuralların ağırlık dereceleri, çıktıları ise, normalize edilmiş ağırlık dereceleri. Yani bu tabakanın görevi, kuralların ağırlıklarını normalize etmektir[5].

4. Katman: Bu katmandaki node’lar adaptifdir. Node fonksiyonu, Sugeno Sistemi’nde, herhangi bir mertebeden (çoğunlukla 1. mertebe) bir fonksiyondur. Model parametreleri, “berraklaştırma” veya “sonuç parametreleri” olarak adlandırılır[5].

5. Katman: Beşinci katman sonucunda toplam çıktı değeri modelden elde edilir[5].



Şekil 1. ANFIS Tekniği

2.1. Eğitim Verileri

Aşağıdaki tabloda bulunan 9 başlık altında 43 ülkenin verisi eğitim amacıyla giriş bilgisi olarak kullanılmıştır.

	Active Personnel	Attack Aircraft	Attack Helicopters	Combat Tanks	Total Naval Assets	Labor Force	Major Ports / Terminals	Railway Coverage (km)	Purchasing Power Parity
Minimum	0.021	0.022	0	0	0	0,01306	1	0	0.001869
Maximum	2.26	5.57	9.47	0.6457	1.428	5,372667	24	0,7493067	1.0635

Tablo-1.Eğitim Verileri

2.2. Test Verileri

Aşağıdaki tabloda bulunan 9 başlık altında Türkiye’nin de yer aldığı 7 ülkenin verisi test amacıyla giriş bilgisi olarak kullanılmıştır[6].

	Active Personnel	Attack Aircraft	Attack Helicopters	Combat Tanks	Total Naval Assets	Labor Force	Major Ports / Terminals	Railway Coverage (km)	Purchasing Power Parity
Minimum	0.03315	0.052	0	0.0531	0.058	0,016833	2	0.00325	0,007155
Maximum	0.798527	2.876	4.9	2.0216	0.796	0,516067	9	0,290523	0,18725

Tablo-2. Test Verileri

3. BULGULAR

Uygulamamızı intel i7 9. nesil işlemcisi olan 16 GB belleğe sahip windows tabanlı bir bilgisayarda, MATLAB ile 20 saat süren bir eğitim sonunda, 5000 epoch için eğitim ve test işlemlerine ait OKH ve %OKH değerleri aşağıdaki tablolarda sunulmuştur. Çıkış değerleri ise 0-1 arasında puanlanmıştır.

EĞİTİM	Ortalama Karesel Hata (OKH)	5.1533e-10
	%Ortalama Karesel Hata (%OKH)	1.1984e-09

Tablo-3. Eğitim Sonuçları

TEST	Ortalama Karesel Hata (OKH)	0.2365
	%Ortalama Karesel Hata (%OKH)	3.3789

Tablo-4. Test Sonuçları

Şekil 2’de ilk 10 ve son 3’te yer alan ülkelerin giriş parametrelerine göre gerçek MGU çıkış skorları ve önerilen ANFIS modeli sonucundaki değerler görülmektedir.

Ülke	MGU Gerçek Skorları	ANFIS MGU Skorları
1.ABD	1.0000	1.0000
2.Rusya	0,9939	0.9939
3.Çin	0.9492	0.9492
4.Hindistan	0.9270	0.9270
5.Fransa	0.9120	0.9120
6.İngiltere	0.9116	0.9116
7.Japonya	0.8790	0.8790
8. Türkiye	0.8743	0.8743
9.Almanya	0.8731	0.8731
10.Mısır	0.8699	0,8699
48.Tunus	0.3165	0.3165
49.Afganistan	0.1071	0.1072
50.Gürcistan	0	0.0000

Şekil 2: Ülkelerin Gerçek ve Tahmin edilen MGU skorları

4. TARTIŞMA, SONUÇ VE ÖNERİLER

Uygulamamızda elde ettiğimiz sonuçlar ile ülkelerin milli güç unsurunun belirlenmesi, karşılaştırılması ve özellikle ülkemizin ne durumda olduğunun tespit edilmesi ile eksik veya geri olduğu alanların doğru analiz edilmesi oldukça önem arz etmektedir.

Ülkemizin dünya sıralamasındaki yerini koruması ve eksik olduğu alanlarda çalışmaların yoğunlaştırılması sonucunda daha iyi konumda yer alması kaçınılmaz olacaktır.

MAS INTERNATIONAL EUROPEAN CONFERENCE ON MATHEMATICS-ENGINEERING-NATURAL & MEDICAL SCIENCES-XII

Uygulamamızda kullandığımız ANFIS tekniđi yerine Derin öğrenme ve Makine öğrenmesi tekniklerinin kullanılması ve sonuçların karşılaştırılarak değerlendirilmesi faydalı olacaktır.

5.KAYNAKLAR

[1] Muzaffer Erendil, Milli Strateji ve Milli Güç, (Silahlı Kuvvetler Dergisi Eki) Sayı 274, Yıl 99, Haziran 1980 s.15.

[2] Onur Öymen, Silahsız Savaş(Bir mücadale Sanatı Olarak Diploması) 2.B.,İstanbul, Remzi Kitabevi, 2002,s.495.

[3] Servet Cömert, Jeopolitik, Jeostrateji, İstanbul, HAK. Yayınları, 2000, s.60;Erendil A.g.e.,s.38;Tanyeli,A.g.e.,s.62.

[4]https://thinktech.stm.com.tr/uploads/raporlar/pdf/82201817487266_stm_yapayzeka_silahlikuvvetler.pdf

[5] Leung SC, Fulcher J. Classification of user expertise level by neural networks. Int J Neural Syst 1997; 8(2):155-71.

[6] <https://www.globalfirepower.com/countries-listing.asp>

**TERS MESAFE AĞIRLIKLI ENTERPOLASYON YÖNTEMİ (IDW)
KULLANILARAK TÜRKİYE SICAKLIK VE YAĞIŞ HARİTALARININ
OLUŞTURULMASI VE ULUSAL COĞRAFİ BİLGİ PLATFORMUNA
ENTEGRASYONU**

Arş. Gör. Mustafa CEYLAN

Gümüşhane Üniversitesi

ORCID No: 0000-0002-8146-3925

Özet

İklim bilimi manasına gelen klimatoloji; hem geçmiş, hem günümüz, hem de gelecekteki hava koşullarını anlamaya çalışmaktadır. Bu sebeple çok çeşitli veri kaynaklarından yararlanmakta ve çeşitli analizler gerçekleştirerek sonuçlara ulaşmaktadır. Geçmişe ilişkin veriler ağaç halkası, sediman gibi kaynaklardan elde edilebiliyorken, günümüze ilişkin veriler ise meteoroloji istasyonlarından alınan ölçümlerden elde edilmektedir. Geleceğe ilişkin veriler ancak belli senaryolara ve hata oranlarına göre oluşturulan öngörü ve modellemelere dayalı olarak ortaya çıkarılmaktadır.

Güncel iklim verileri üretimi, her ülkede meteorolojik gözlemleri gerçekleştirmek, değerlendirmek, farklı sektörler için hava tahminlerinde bulunmak ve meteorolojik bilgi desteği sağlamak amacıyla kurulmuş kurumlar tarafından sağlanmaktadır. Bunun yanı sıra üniversiteler, çevre kuruluşları ve araştırma enstitüleri de hava ile ilgili ölçümler gerçekleştirmekte ve bunları kayıt altına almaktadır. İklim çalışmalarında elde edilen bu veriler kullanılmakta ve bu verilerin haritalanması, kullanıcının basit şekilde yorumlayabilmesinin önünü açmakta ve işini kolaylaştırmaktadır.

Bu çalışmada; Türkiye yıllık ortalama sıcaklık haritası ve yıllık ortalama toplam yağış haritası oluşturulmuştur. İlk olarak; illere ait alansal sınır verisi ve noktasal il merkezleri verisi elde edilmiştir. Daha sonra; noktasal il merkezleri verisinde bulunan bütün merkezler, istasyon noktası olarak kabul edilmiş ve Meteoroloji Genel Müdürlüğü'nden (MGM) elde edilen yıllık ortalama sıcaklık ($^{\circ}\text{C}$) ve yıllık ortalama toplam yağış miktarı (kg/m^2) verileri, bütün iller için bu istasyon noktalarına işlenmiştir. Ardından; bir CBS yazılımı olan ArcGIS yazılımında, bir enterpolasyon yöntemi olan ters mesafe ağırlıklı enterpolasyon yöntemi (IDW) kullanılarak söz konusu haritalar oluşturulmuştur. Bu haritalar, Türkiye Cumhuriyeti Çevre ve Şehircilik Bakanlığı bünyesinde bulunan Coğrafi Bilgi Sistemleri Genel Müdürlüğü tarafından kayda değer bulunmuştur. İlerleyen zamanlarda bu haritalar, Ulusal Coğrafi Bilgi Platformuna metaveri olarak entegre edilecek ve belirli şartlar dahilinde kullanıcıların kullanımına sunulacaktır.

Anahtar Kelimeler: Enterpolasyon, Sıcaklık Haritası, Ulusal Coğrafi Bilgi Platformu

CREATING TEMPERATURE AND RAINFALL MAPS OF TURKEY USING INVERSE
DISTANCE WEIGHTED (IDW) INTERPOLATION METHOD AND INTEGRATION TO
NATIONAL GEOGRAPHIC INFORMATION PLATFORM

Abstract

Climatology that means climate science tries to understand the weather conditions of both past, present and future. For this reason, it makes use of a wide variety of data sources and reaches results by performing various analyzes. While archaic data can be obtained from

sources such as tree rings and sediment, current data is obtained from measurements taken from meteorological stations. Future data are only revealed based on predictions and modeling based on specific scenarios and error rates.

Production of current climate data is provided by established institutions to perform and evaluate meteorological observations in each country, make weather forecasts for different sectors and provide meteorological information support. In addition; universities, environmental organizations and research institutes also perform and record aerial measurements. In climate studies; these data are used and mapping of these data paves the way for the user to interpret in a simple way and make one's work easier.

In this study; the average annual temperature map and average annual total rainfall map of Turkey was created. Firstly; areal boundary data of provinces and point city centers data were obtained. Later; all centers in point city centers data have been accepted as station points and the average annual temperature ($^{\circ}\text{C}$) and average annual total precipitation (kg / m^2) data obtained from the Turkish State Meteorological Service (MGM) are processed in these station points for all provinces. Then; these maps were created by using inverse distance weighted (IDW) interpolation method which is an interpolation method in ArcGIS software that is a GIS software. These maps have been significant by the Geographic Information Systems General Directorate in Turkish Republic Ministry of Environment and Urbanization. Later on, these maps will be integrated into the National Geographic Information Platform as metadata and made available to users under certain conditions.

Keywords: Interpolation, Temperature Map, National Geographic Information Platform

GELİŞMİŞLİK GÖSTERGELERİ İLE TÜRKİYE'DE İLLERİN İSTATİSTİKSEL
KARŞILAŞTIRILMASI

Ülkü ERİŞOĞLU

Necmettin Erbakan Üniversitesi

İlkay ALTINDAĞ

Necmettin Erbakan Üniversitesi

Tayfun SERVİ

Adıyaman Üniversitesi

Özet

Bu çalışmada 2018 yılı için elde edilen ekonomik, demografik ve sosyal göstergelere göre çok değişkenli istatistiksel analizler yardımıyla Türkiye'deki illerin gelişmişlik karşılaştırılması gerçekleştirilmiştir. Çalışmada faktör analizi ve çok boyutlu ölçekleme analizi kullanılmıştır. Çalışmada İstanbul 2018 yılında seçilmiş göstergelere göre Türkiye'nin en gelişmiş ili olarak belirlenmiştir. Çalışmadan elde edilen sonuçlar Türkiye'de iller arasındaki gelişmişlik farklılıklarının az olduğunu göstermiştir.

Anahtar Kelimeler: Gelişmişlik, Faktör Analizi, Çok Boyutlu Ölçekleme, Kanonik Korelasyon

A STATISTICAL COMPARISON OF PROVINCES IN TURKEY BY DEVELOPMENT
INDICATORS

Abstract

In this study was compared the development of provinces in Turkey by multivariate statistical analysis according to obtained the economic, demographic and social indicators for the 2018 year. In the study, factor analysis and multidimensional scaling analysis were used. In the study, İstanbul was determined as the most developed province of Turkey respect to selected indicators on the 2018 year. The obtained results from study were showed less of the development disparities between provinces in Turkey.

Keywords: Development, Factor analysis, Multidimensional scaling, canonical correlation

1. GİRİŞ

Ülkelerin, illerin ya da bölgelerin gelişimi kişi başına düşen gelirin artırılması yanında ekonomik, sağlık, sosyal, demografik ve kültürel yapıların bir bütün olarak çevreye duyarlı bir şekilde değişerek insanların refah düzeylerinin artırılması içeren çok yönlü bir kavramdır. Gelişme için ekonomik büyüme yeterli değildir. Ekonomik büyüme ile üretim ve kişi başına düşen gelirin artması ifade edilmektedir. Üretim genellikle, bir ekonominin toplam mal ve hizmet üretimi olan birbirinin yerine kullanılan gayri safi milli hasıla (GSMH) veya gayri safi milli gelir (GNI) ile ölçülür. Ekonomik gelişme ise üretim dağılımı ve ekonomik yapıdaki değişikliklerin eşlik ettiği ekonomik büyümeyi ifade eder. Bu değişiklikler, nüfusun daha yoksul yarısının maddi refahında bir iyileşmeyi; tarımın GSMH payındaki düşüşünü ve buna karşılık sanayi ve hizmetlerin GSMH payındaki artışı; işgücünün eğitim ve becerilerindeki artışı ve ülke kaynaklı önemli teknik gelişmeleri içerir (Nafziger, 2012).

Bölgeler ya da iller arasında dengeli sosyo-ekonomik gelişmenin sağlanması için ilk olarak ölçülebilir ve göreceli olarak karşılaştırılabilir sosyo-ekonomik göstergeler ile yerleşim birimlerinin gelişmişlik düzeylerinin belirlenmesi gerekmektedir (Çetin ve Sevüktekin, 2016). Ülkemizde illerin gelişmişliği üzerine çok sayıda çalışma vardır. Bu çalışmalarda illerin gelişmişliğinin ölçülmesinde kümeleme analizi, diskriminant analizi, temel bileşenler analizi, faktör analizi ve çok boyutlu ölçekleme analizi gibi çok değişkenli istatistiksel analizler kullanılmıştır.

Kart ve Keser (2019), ülkemizdeki illerin sosyal ve ekonomik gelişmişliğini etki eden faktörlerin belirlenmesinde faktör analizini kullanmışlardır. Arı ve Hüyüktepe (2019) illerin sosyo-ekonomik gelişmişliklerinin değerlendirilmesinde kümeleme analizi, temel bileşenler analizi ve çok boyutlu ölçekleme analizini kullanmıştır. Yaşa ve Künc (2020), kamu harcamaları ve sosyoekonomik gelişmişlik düzeyleri bakımından illerin gruplandırılmasında kümeleme ve çok boyutlu ölçekleme analizlerini kullanmıştır.

Bu çalışmada ilk olarak 2018 yılı için Türkiye'deki illerin seçilmiş göstergelere göre faktör analizi ile gelişmişlik indeksi oluşturulacaktır. Faktör analizi ve çok boyutlu ölçekleme analizi ile seçili göstergeler bölümlendirilecektir. Elde edilen bölümlendirmelere göre illerin gelişmişlik sıralaması oluşturulacak ve gösterge grupları arasındaki ilişkiler incelenecektir. Çalışmada ayrıca çok boyutlu ölçekleme analizi ile illerin iki boyutlu düzlemde grafiksel gösterimi gerçekleştirilecek ve indirgenmiş koordinat sisteminde illerin gelişmişlik değerlendirilmesi yapılacaktır.

2. MATERYAL VE METOT

2.1. Veri Seti

Türkiye'deki illerin gelişmişlik karşılaştırılmasının gerçekleştirileceği çalışmada 2018 yılına ait 11 sosyo-ekonomik gösterge (değişken) kullanılmıştır. Çalışmada kullanılan değişkenler, değişkenlerin gösterimi ve verilerin elde edildiği kaynaklar Tablo 1'de verilmiştir.

Tablo 1. Çalışmada kullanılan değişkenler ve değişkenlerin gösterimi

Simge	Değişken İsmi (Ölçü Birimi)	Kaynak
X_1	Bebek ölüm hızı (binde)	Türkiye İstatistik Kurumu
X_2	Kaba doğum hızı (binde)	Türkiye İstatistik Kurumu
X_3	Ortalama hanehalkı büyüklüğü	Türkiye İstatistik Kurumu
X_4	Toplam yaş bağımlılık oranı (%)	Türkiye İstatistik Kurumu
X_5	Bin kişi başına girişim sayısı	Sosyal Güvenlik Kurumu
X_6	Kişi Başı Banka Mevduatı (Bin TL)	Türkiye Bankalar Birliği
X_7	Kişi başına GSYH (TL)	Türkiye İstatistik Kurumu
X_8	Bin kişi başına SGK çalışan sayısı	Sosyal Güvenlik Kurumu
X_9	Sinema salonu sayısı	Türkiye İstatistik Kurumu
X_{10}	Tiyatro salonu sayısı	Türkiye İstatistik Kurumu
X_{11}	Trafik kaza sayıları	Türkiye İstatistik Kurumu

Sağlık alanında bir gösterge kabul edilen bebek ölüm hızı belli bir yıl içinde her 1000 canlı doğum başına düşen bebek ölüm sayısıdır. Bebek ölüm hızı gelişmişlik ile ters orantılıdır. Yani bebek ölüm hızının düşük olması gelişmişliği gösterirken bebek ölüm hızı değerinin büyük olması az gelişmişliği gösterir.

Demografik göstergeler içerisinde gösterilen kaba doğum hızı, ortalama hane halkı büyüklüğü ve toplam yaş bağımlılık oranı gelişmişlik ile ters orantılıdır. Kaba doğum hızı belli

bir yıl içinde her 1000 nüfus başına düşen doğum sayısıdır. Ortalama hanehalkı büyüklüğü bir hanehalkını oluşturan kişilerin ortalama sayısıdır ve toplam nüfusun hanehalkı sayısına bölünmesi ile elde edilir. Toplam yaş bağımlılık oranı, “15-64” yaş grubundaki her 100 kişi için “0-14” ve “65 ve daha yukarı” yaş gruplarındaki kişi sayısıdır.

Ekonomik göstergeler olarak değerlendirilen bin kişi başına düşen girişim sayısı, başına toplam banka mevduatı, kişi başına GSYH ve bin kişi başına SGK çalışan sayısı gelişmişlik ile doğru orantılıdır. Yani bu göstergelerin büyük değer alması gelişmişliği ifade ederken göstergelerin küçük değer alması az gelişmişliği göstermektedir. Bin kişi başına düşen girişim sayısı yıllık iş kayıtlarına göre elde edilen toplam girişim sayısının nüfusa oranlanması ile elde edilmiştir. Kişi başına toplam banka mevduatı il bazında toplam banka mevduat tutarının il nüfusuna bölünmesi ile elde edilir. Kişi başına GSYH cari fiyatlarla il düzeyinde gayrisafi yurt içi hâsılanın yıl ortası il nüfus tahminine bölünmesi ile bulunan değerdir. Bin kişi başına SGK çalışan sayısı, Sosyal Güvenlik Kurumuna kayıtlı resmi çalışan sayısının il nüfusuna oranlanması ile elde edilen değer 1000 kişi üzerinden değerini ifade etmektedir.

Sosyal göstergeler içinde sınıflandırılan sinema ve tiyatro sayılarının büyük olması gelişmişliği gösterir. Sinema sayısı ve tiyatro sayısı ilgili yılda il kapsamında resmi olarak faaliyet gösteren sinema ve tiyatro sayılarını ifade etmektedir.

Ulaşım kategorisinde yer alan trafik kaza sayıları gelişmişlik ile doğru orantılı olarak değerlendirilmektedir. Trafik kaza sayısı, karayolu üzerinde hareket halinde olan bir veya birden fazla aracın karıştığı ölüm veya yaralanma ile sonuçlanmış olan olayların sayısıdır.

2.2. Faktör Analizi

Faktör analizi birbiriyle ilişkili, yorumlanması güç çok sayıda değişkenden en az bilgi kaybıyla bağımsız, yorumlanması kolay, anlamlı daha az sayıda yeni değişkenler (faktörler) elde etmeyi amaçlayan çok değişkenli istatistiksel bir analizdir. Faktör analizi tanımdan da anlaşılabilirliği gibi uygulamalarda bağımsızlık veya boyut indirgeme amacı ile kullanılmaktadır. Faktör analizinde μ ortalama vektörü ve Σ kovaryans matrisine sahip ham veri matrisi X olmak üzere faktör modeli

$$X - \mu = \Lambda f + \varepsilon \quad (1)$$

eşitliği ile ifade edilir. Eşitlikte yer alan Λ faktör yük matrisi, f gözlemlenemeyen (gizli) bağımsız değişkenleri (faktörleri) göstermektedir. Bir değişken için bir faktör yükü, değişkenin faktöre ne kadar katkı sağladığını gösterir. Faktör yükleri çoklu regresyon analizindeki regresyon katsayılarına benzerdir ve değişken ile faktör arasındaki ilişkiyi gösterir. Faktör modelinin parametre tahminleri için temel bileşenler yöntemi ve en çok olabilirlik yöntemi en yaygın kullanılan parametre tahmin yöntemleridir. Temel bileşenler yöntemi kovaryans ya da korelasyon matrisinin spektral ayrışımına dayanmaktadır. En çok olabilirlik yöntemi ise çok değişkenli normal dağılım varsayımı altında olabilirlik fonksiyonunun maksimizasyonu ile model parametrelerini tahmin etmektedir.

2.3. Çok Boyutlu Ölçekleme Analizi

Çok boyutlu ölçekleme analizi, yüksek boyutlu veri setlerinde birimler ya da değişkenler arasındaki benzerlikleri koruyarak çok değişkenli veriyi daha az boyutlu uzayda grafiksel olarak göstermeyi amaçlayan boyut indirgeme temelli bir analizdir (Borg ve Groenen, 2005). Benzerlik uzaklık türü ölçüler ile ifade edildiğinde, çok boyutlu ölçekleme analizinde birimler

ya da değişkenler arasındaki uzaklık matrisindeki δ_{ij} değerlerini temsil edecek d_{ij} konfigürasyon uzaklıklarının elde edileceği indirgenmiş yeni koordinat düzlemi elde edilmektedir (Cox ve Cox, 2001).

$$d_{ij} \approx f(\delta_{ij}) \quad (2)$$

Çok boyutlu ölçekleme analizinde boyut indirgeme için kullanılan algoritmalar genel olarak metrik ve metrik olmayan algoritmalar şeklinde sınıflandırılmaktadır. Metrik çok boyutlu ölçekleme algoritmaları

$$stres = \left\{ \frac{\sum_i \sum_{j>i} (d_{ij} - f(\delta_{ij}))^2}{\sum_i \sum_{j>i} d_{ij}^2} \right\}^{\frac{1}{2}} \quad (3)$$

şeklinde tanımlanan stres fonksiyonu en küçükleme esasına dayanmaktadır. Stres değeri orijinal uzaklıklar ile konfigürasyon uzaklıkları arasındaki uyumun bir göstergesidir. Uzaklık matrisi metrik çok boyutlu ölçekleme sınıfında yer alan klasik çok boyutlu ölçekleme analizinde Öklid uzaklığı ile oluşturulur. Klasik çok boyutlu ölçekleme, $D^{(2)}$ uzaklık matrisinin tüm terimlerin karesi ile oluşturulan karesel uzaklık matrisi ve H merkezleştirme matrisi olmak üzere $B = -\frac{1}{2}HD^{(2)}H$ eşitliği tanımlanan matrisinin özdeğer ve özvektörlerini temel alan bir yaklaşımdır. Merkezleştirme matrisi H , birim matrisi I ve bir vektörü $\mathbf{1}$ olmak üzere $H = I - n^{-1}\mathbf{1}\mathbf{1}^T$ eşitliği ile elde edilir. Klasik çok boyutlu ölçekleme analizinde indirgenmiş koordinat sistemi

$$Y = A_d L_d^{1/2} \quad (4)$$

eşitliği ile oluşturulur. Eşitlikte yer alan A_d gösterimi B matrisinin en büyük d özdeğerine karşılık gelen özvektörler matrisini, $L_d^{1/2}$ gösterimi ise B matrisinin en büyük d özdeğerinin karekök değerleri ile oluşturulan diagonal matrisi göstermektedir.

3. UYGULAMA

Türkiye'deki illerin 2018 yılı için seçilmiş göstergelere göre gerçekleştirilecek istatistiksel analizlerde ölçü birimlerindeki farklılıkların olumsuz etkilerinden kaçınmak için standartlaştırma işlemi gerçekleştirilmiştir.

Çalışmada ilk olarak illerin gelişmişlik indekslerini oluşturmak için faktör analizi ile bağımsız faktörler ve faktörlerin değişimi açıklama oranları oluşturulacaktır. Faktör analizinden elde edilen faktör skorları f_1, f_2, \dots, f_{11} ve faktörlerin varyansları (korelasyon matrisinin özdeğerleri) $\lambda_1, \lambda_2, \dots, \lambda_{11}$ olmak üzere gelişmişlik indeksi

$$indeks(i) = \frac{\lambda_1 f_{1i}}{\lambda_1 + \lambda_2 + \dots + \lambda_{11}} + \frac{\lambda_2 f_{2i}}{\lambda_1 + \lambda_2 + \dots + \lambda_{11}} + \dots + \frac{\lambda_{11} f_{11i}}{\lambda_1 + \lambda_2 + \dots + \lambda_{11}} \quad (5)$$

eşitliği ile hesaplanır. Faktör analizi sonucu elde edilen özdeğerler ve faktörlerin değişimi açıklama oranları Tablo 2'de verilmiştir.

Tablo 2. Faktör analizi sonucu elde edilen özdeğerler ve değişimi açıklama oranları

Faktör	Varyans λ_i	Değişimi Açıklama Oranı (%)	Birikimli Değişimi Açıklama Oranı (%)
1	6.423	58.387	58.387
2	2.785	25.316	83.703
3	0.566	5.147	88.850
4	0.396	3.602	92.452
5	0.356	3.236	95.688
6	0.174	1.581	97.269
7	0.116	1.053	98.322
8	0.083	0.758	99.080
9	0.048	0.438	99.518
10	0.036	0.327	99.845
11	0.017	0.155	100.000

Faktör analizi sonucu elde edilen faktörlerden 1. faktör toplam değişimin %58'ini, 2. faktör %25'ini ve 3. faktör ise %5'ini açıklamaktadır. Üç faktör birlikte toplam değişimin %88.85'ini açıklamaktadır. Faktör analizinde elde edilen faktörler bağımsız olduklarından dolayı toplanabilir niteliktedir. Her bir faktör skorunu faktörün değişimi açıklama oranı ile ağırlandırarak elde edilen toplam puan (5) nolu eşitlikte tanımlanan gelişmişlik indeksini oluşturmaktadır. Türkiye'deki illerin 2018 yılı için seçilmiş göstergelerini temel alan faktör analizi sonucu elde edilen illerin gelişmişlik sırası ve gelişmişlik indeksleri Tablo 3'de verilmiştir.

Tablo 3. Türkiye'deki illerin 2018 yılı için illerin gelişmişlik sırası ve gelişmişlik indeks değerleri

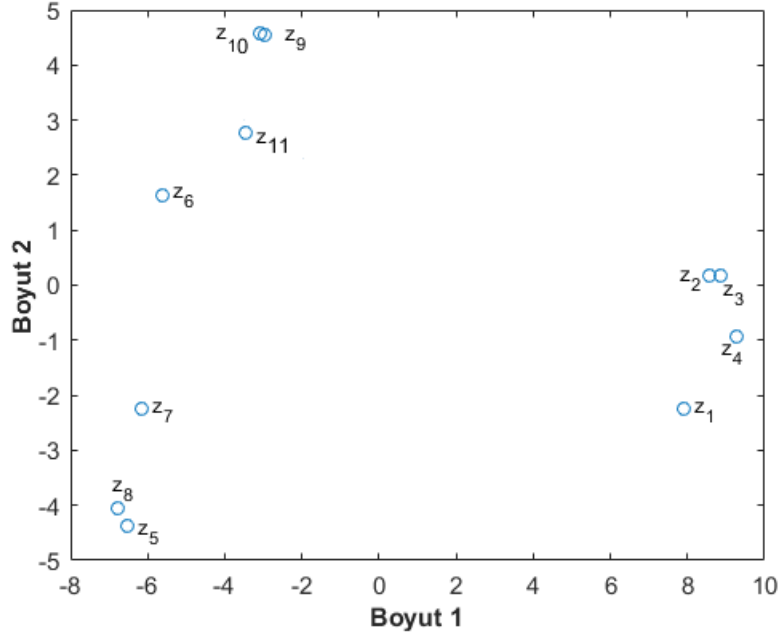
İller	Sıra	İndeks	İller	Sıra	İndeks	İller	Sıra	İndeks
İstanbul	1	3.815	Bolu	28	0.093	Elazığ	55	-0.230
Ankara	2	1.865	Artvin	29	0.047	Yozgat	56	-0.243
İzmir	3	1.352	Karabük	30	0.035	Kahramanmaraş	57	-0.244
Antalya	4	1.015	Rize	31	0.034	Sivas	58	-0.244
Muğla	5	0.901	Gaziantep	32	0.025	Kilis	59	-0.254
Kocaeli	6	0.723	Bilecik	33	0.007	Osmaniye	60	-0.302
Bursa	7	0.686	Karaman	34	0.006	Bayburt	61	-0.358
Denizli	8	0.538	Samsun	35	0.003	Tokat	62	-0.360
Tekirdağ	9	0.463	Düzce	36	-0.009	Çankırı	63	-0.363
Yalova	10	0.377	Hatay	37	-0.013	Ardahan	64	-0.385
Balıkesir	11	0.371	Zonguldak	38	-0.020	Erzurum	65	-0.424
Manisa	12	0.364	Tunceli	39	-0.040	Adıyaman	66	-0.477
Aydın	13	0.349	Afyonkarahisar	40	-0.043	Iğdır	67	-0.545
Uşak	14	0.306	Kastamonu	41	-0.052	Gümüşhane	68	-0.558
Eskişehir	15	0.287	Bartın	42	-0.076	Bingöl	69	-0.565
Mersin	16	0.279	Aksaray	43	-0.098	Mardin	70	-0.568
Konya	17	0.276	Kütahya	44	-0.118	Diyarbakır	71	-0.593
Çanakkale	18	0.263	Kırşehir	45	-0.127	Hakkari	72	-0.601
Edirne	19	0.256	Amasya	46	-0.145	Kars	73	-0.609

Kırklareli	20	0.235	Malatya	47	-0.146	Şanlıurfa	74	-0.635
Sakarya	21	0.199	Çorum	48	-0.156	Siirt	75	-0.696
Kayseri	22	0.184	Erzincan	49	-0.168	Bitlis	76	-0.696
Burdur	23	0.173	Giresun	50	-0.198	Batman	77	-0.698
Nevşehir	24	0.164	Sinop	51	-0.200	Şırnak	78	-0.740
Trabzon	25	0.139	Ordu	52	-0.203	Van	79	-0.754
Isparta	26	0.131	Kırıkkale	53	-0.225	Muş	80	-0.792
Adana	27	0.108	Niğde	54	-0.229	Ağrı	81	-0.865

Türkiye'deki illerin 2018 yılı için seçilmiş göstergelere göre elde edilen gelişmişlik indeksi değerlerine göre İstanbul ili 3.815 gelişmişlik indeksi değeri ile en gelişmiş il olarak belirlenmiştir. İstanbul ilini gelişmişlik bakımından Ankara, İzmir, Antalya, Muğla, Kocaeli ve Bursa illeri takip etmektedir. Oluşturulan gelişmişlik indeksi bakımından Ağrı indeksi değeri en düşük il olarak belirlenmiştir.

Türkiye'de illerin 2018 yılı için seçilmiş göstergelere göre faktör analizi ile elde edilen gelişmişlik indeksi değerleri incelendiğinde en gelişmiş ilk dört il dışındaki 77 ilin 1.766 birimlik bir değişim aralığında sıralandığı görülmektedir. Bu değer iller arasındaki gelişmişlik farklılıklarının az olduğunu şeklinde yorumlanabilir.

Türkiye'deki illerin 2018 yılı için seçilmiş göstergelerinin etkili faktörlerdeki ağırlıklarını belirlemek üzere etkili faktör sayısına karar vermek için değişkenler arasındaki uzaklık matrisi ile klasik çok boyutlu ölçekleme analizi gerçekleştirilmiştir. Klasik çok boyutlu ölçekleme analizinde 0.0707 stres değeri ile iyi bir uyum elde edilmiştir. Seçili göstergelerin çok boyutlu ölçekleme analizi sonucu elde edilen grafiksel gösterimi Şekil 1'de verilmiştir.



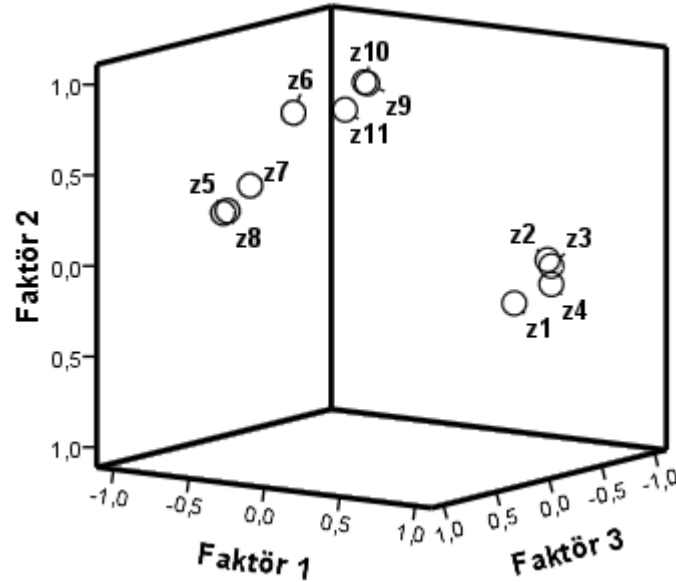
Şekil 1. Seçili göstergelerin çok boyutlu ölçekleme analizi sonucu elde edilen serpilme diyagramı

Klasik çok boyutlu ölçekleme analizi seçili göstergelerin serpilme diyagramı incelendiğinde ilgili değişkenlerin üç faktör ağırlıklandırılmasının uygun olacağı görülmektedir. Faktör sayısı 3 seçilerek gerçekleştirilen faktör analizinde, varimax faktör döndürme yöntemi ile elde edilen faktörlerin değişimi açıklama oranları ve faktör yükleri matrisi Tablo 4'de verilmiştir.

Tablo 4. Varimax döndürmesi sonrası faktör yükleri matrisi

	f_1	f_2	f_3
Varyans	3.956	3.727	2.091
Değişimi Açıklama Oranı (%)	35.962	33.877	19.011
Birikimli Açıklama Oranı	35.962	69.839	88.850
Değişkenler	Faktör Yükleri		
	f_1	f_2	f_3
z1	0.862		
z2	0.923		
z3	0.895		
z4	0.827		
z5	-0.627		0.563
z6		0.819	
z7			0.745
z8			0.778
z9		0.970	
z10		0.974	
z11		0.857	

Varimax döndürmesi sonucu elde edilen faktörlerin değişimi açıklama oranları sırasıyla %35.962, %33.877 ve %19.011 olmuştur. Elde edilen üç faktör birlikte toplam değişimin %88.850'sini açıklamaktadır. Faktör yükleri matrisinin yorumlanmasını kolaylaştırmak için mutlak değerce 0.50'den düşük faktör yükü değerleri görüntülenmemiştir. Varimax döndürmesi sonucu elde edilen aktör yükleri grafiği Şekil 2'de verilmiştir.



Şekil 2. Varimax döndürmesi sonucu elde edilen faktör yükleri grafiği

Çok boyutlu ölçekleme analizi sonuçları ve faktör yükleri incelendiğinde değişkenlerin üç faktörde bölümlendirilmesi Tablo 5'de verilmiştir.

Tablo 5. Değişkenlerin üç faktörde bölümlendirilmesi

Faktör 1	Faktör 2	Faktör 3
Bebek ölüm hızı	Kişi Başı Banka Mevduatı	Bin kişi başına girişim sayısı
Kaba doğum oranı	Sinema salonu sayısı	Kişi başına GSYH
Ortalama hanehalkı büyüklüğü	Tiyatro salonu sayısı	Bin kişi başına SGK çalışan sayısı
Toplam yaş bağımlılık oranı	Trafik kaza sayıları	

Değişkenlerin üç faktörde bölümlendirilmesi incelendiğinde birinci faktörde 3 tane demografik, 1 tane sağlık alanında göstergenin yer aldığı görülmektedir. Buna göre faktör 1, demografik göstergeler olarak isimlendirilebilir. İkinci faktörde 2 tane sosyal, 1 tane ekonomik ve 1 tane ulaşım alanında göstergenin yer aldığı görülmektedir. Buna göre faktör 2, sosyal göstergeler olarak isimlendirilebilir. Üçüncü faktörde yer alan tüm göstergeler ekonomik alanında olduğundan faktör 3 ekonomik göstergeler olarak isimlendirilir. Çalışmanın bu bölümünde üç faktörde yer alan göstergeler temel alınarak faktör analizleri gerçekleştirilmiş ve her faktör grubu için gelişmişlik indeksleri hesaplanmıştır. Oluşturulan faktörlere göre illerin gelişmişlik sıralamaları Tablo 6’da verilmiştir.

Tablo 6. İllerin faktörlere göre gelişmişlik sıralaması

İller	f_1	f_2	f_3	İller	f_1	f_2	f_3	İller	f_1	f_2	f_3
Adana	51	10	40	Giresun	7	45	44	Samsun	44	19	41
Adıyaman	68	61	65	Gümüşhane	12	72	68	Siirt	78	78	79
Afyonkarahisar	52	26	38	Hakkari	70	81	77	Sinop	47	55	45
Ağrı	76	73	80	Hatay	63	16	43	Sivas	28	35	58
Amasya	25	59	46	Isparta	22	31	24	Tekirdağ	18	21	18
Ankara	13	2	2	Mersin	43	7	23	Tokat	37	44	61
Antalya	14	4	4	İstanbul	15	1	1	Trabzon	20	22	20
Artvin	33	64	19	İzmir	6	3	5	Tunceli	1	47	34
Aydın	27	12	9	Kars	64	74	70	Şanlıurfa	81	30	73
Balıkesir	11	11	15	Kastamonu	46	53	33	Uşak	35	23	11
Bilecik	16	65	48	Kayseri	58	15	30	Van	74	66	76
Bingöl	60	70	69	Kırklareli	2	37	12	Yozgat	42	41	50
Bitlis	69	77	72	Kırşehir	48	43	36	Zonguldak	10	24	32
Bolu	24	49	31	Kocaeli	38	9	16	Aksaray	57	36	35
Burdur	19	40	13	Konya	54	8	28	Bayburt	40	75	60
Bursa	21	5	14	Kütahya	9	46	47	Karaman	31	48	27
Çanakkale	3	27	10	Malatya	59	34	57	Kırıkkale	23	62	55
Çankırı	61	67	66	Manisa	53	13	22	Batman	73	69	75
Çorum	41	38	42	Kahramanmaraş	67	28	62	Şırnak	80	79	81
Denizli	45	14	6	Mardin	79	63	71	Bartın	56	51	39
Diyarbakır	71	29	74	Muğla	8	6	3	Ardahan	36	80	63
Edirne	4	25	8	Muş	77	76	78	Iğdır	65	71	64
Elazığ	50	42	54	Nevşehir	49	33	17	Yalova	39	39	7
Erzincan	17	56	51	Niğde	55	60	53	Karabük	34	54	29
Erzurum	62	52	67	Ordu	30	32	52	Kilis	72	68	56
Eskişehir	5	17	21	Rize	26	57	26	Osmaniye	66	50	59
Gaziantep	75	18	49	Sakarya	29	20	25	Düzce	32	58	37

Demografik göstergeler olarak isimlendirilen faktör 1’de yer alan göstergelere göre oluşturulan gelişmişlik indeksi bakımından en gelişmiş il Tunceli olmuştur. Demografik göstergeler bakımından en gelişmiş il seçilen Tunceli ilini gelişmişlik bakımından sırasıyla Kırklareli, Çanakkale, Edirne, Eskişehir, İzmir, Giresun ve Muğla illeri izlemektedir. Seçili göstergelerin tamamı gözönünde bulundurulduğunda en gelişmiş il olarak belirlenen İstanbul ilinin demografik göstergeler bakımından gelişmişlik sırası 15 olmuştur.

Sosyal göstergeler olarak isimlendirilen faktör 2’de yer alan göstergelere göre oluşturulan gelişmişlik indeksi bakımından en gelişmiş il İstanbul olmuştur. Sosyal göstergeler bakımından en gelişmiş il seçilen İstanbul ilini gelişmişlik bakımından sırasıyla Ankara, İzmir, Antalya, Bursa, Muğla, Mersin ve Konya illeri izlemektedir. Demografik göstergelere göre en gelişmiş il olarak belirlenen Tunceli ilinin sosyal göstergeler bakımından gelişmişlik sırası 47 olmuştur.

Ekonomik göstergeler olarak isimlendirilen faktör 3’de yer alan göstergelere göre oluşturulan gelişmişlik indeksi bakımından en gelişmiş il İstanbul olmuştur. Ekonomik göstergeler bakımından en gelişmiş il seçilen İstanbul ilini gelişmişlik bakımından sırasıyla Ankara, Muğla, Antalya, İzmir, Denizli, Yalova ve Edirne illeri izlemektedir.

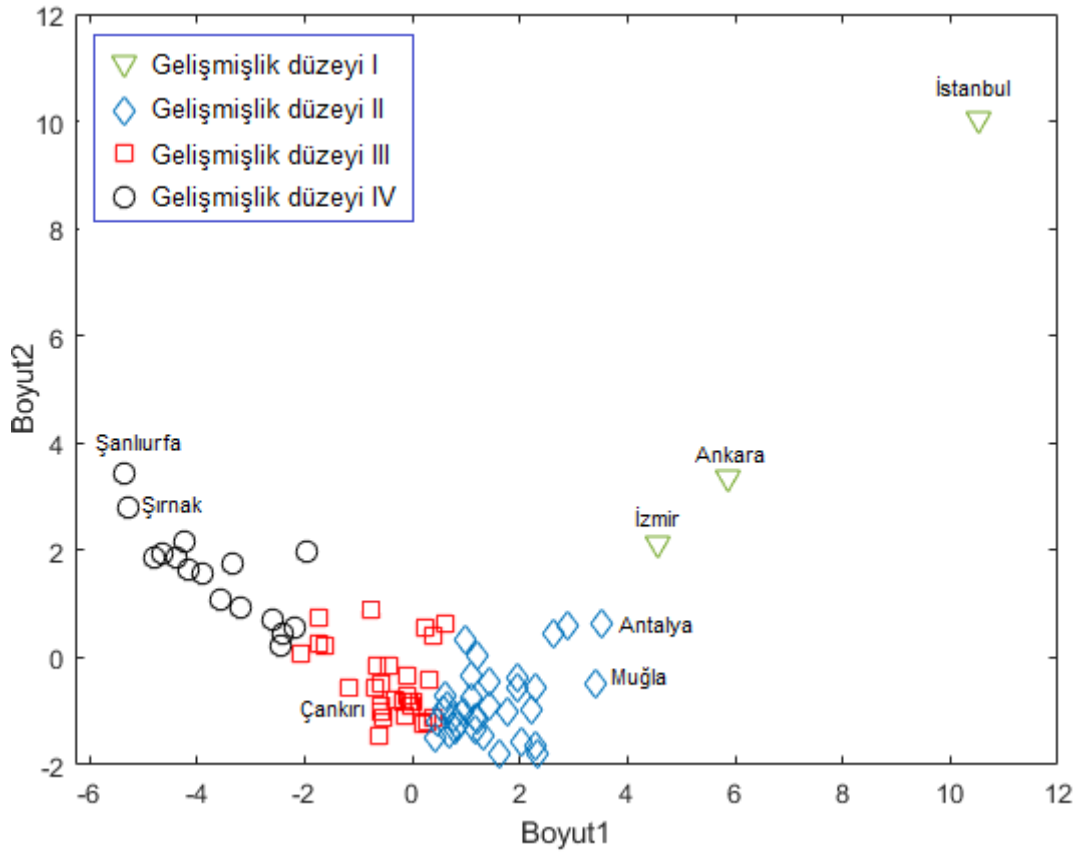
Çalışma kapsamında seçili göstergelerin tamamı ile oluşturulan gelişmişlik indeksleri ile oluşturulan faktörlere göre belirlenen gelişmişlik indeksleri arasındaki korelasyon değerleri Tablo 7’de verilmiştir.

Tablo 7. Gelişmişlik indeksleri için korelasyon katsayıları

	Demografik	Sosyal	Ekonomik
Demografik			
Sosyal	-0.26		
Ekonomik	-0.70	0.72	
Genel İndeks	-0.52	0.92	0.92
Tüm korelasyon katsayıları için $p < 0.05$			

Gelişmişlik indeksleri arasında hesaplanan tüm korelasyon katsayıları istatistiksel olarak anlamlıdır ($p < 0.05$). Korelasyon matrisi incelendiğinde demografik göstergelere göre oluşturulan gelişmişlik indeksi ile genel gelişmişlik indeksi arasında negatif yönlü orta şiddetli bir ilişki görülmektedir. Buna göre demografik göstergelerin küçük değer alması gelişmişliğin göstergesi olarak değerlendirilir. Sosyal ve ekonomik göstergelere göre oluşturulan gelişmişlik indeksleri ile genel gelişmişlik indeksi arasında pozitif yüksek şiddetli bir ilişki vardır. Sosyal göstergeler olarak isimlendirilen faktör içerisinde 1 tane ekonomik gösterge yer aldığı gözönünde bulundurulduğunda ekonomik göstergelerin gelişmişlik indeksindeki ağırlığının daha fazla olduğu ifade edilebilir.

İller arasında seçilmiş göstergelere göre oluşturulan Öklid uzaklık matrisini temel alarak gerçekleştirilen klasik çok boyutlu ölçekleme analizi sonucu illerin iki boyutlu düzlemde grafiksel olarak gösterimi Şekil 3’de verilmiştir. Klasik çok boyutlu ölçekleme analizinde 0.0899 stres değeri ile orijinal uzaklıklar ile konfigürasyon uzaklıkları arasında iyi bir uyum elde edilmiştir. Şekil 3’de iller elde edilen indirgenmiş boyutta gerçekleştirilen bölümlendirme sonucu dört grupta renklendirilmiştir.



Şekil 3. İllerin çok boyutlu ölçekleme analizi sonucu elde edilen serpilme diyagramı

İllerin çok boyutlu ölçekleme analizi sonucu elde edilen serpilme diyagramı incelendiğinde gelişmişlik düzeyi I grubundaki illerin İstanbul, Ankara ve İzmir illeri olduğu görülmektedir. En gelişmiş il olarak belirlenen İstanbul iline diğer illerin çok boyutlu ölçekleme analizi sonucu elde edilen indirgenmiş koordinat sisteminde Öklid uzaklığı hesaplanarak gelişmişlik sıralaması gerçekleştirilebilir. İstanbul iline indirgenmiş koordinat sisteminde diğer illerin Öklid uzaklıkları ve gelişmişlik sıraları Tablo 8’de verilmiştir.

İstanbul iline indirgenmiş koordinat sisteminde diğer illerin Öklid uzaklıkları ile gelişmişlik indeksi değerleri arasındaki korelasyon değeri mutlak değerce 0.9854 olarak bulunmuştur. Elde edilen bu yüksek korelasyon değeri, faktör analizi ve çok boyutlu ölçekleme analizi sonucu elde edilen gelişmişlik sıralamalarının tutarlı olduğunu göstermektedir. İndirgenmiş koordinat sisteminde İstanbul iline olan Öklid uzaklıklarına göre elde edilen gelişmişlik sıralamasında İstanbul ilini gelişmişlik bakımından sırasıyla Ankara, İzmir, Antalya, Kocaeli, Bursa, Muğla, Tekirdağ ve Denizli izlemektedir. İndirgenmiş koordinat sisteminde İstanbul iline en uzak il Şırnak ili olmuştur. Şırnak ilini az gelişmişlik bakımından sırasıyla Ağrı, Şanlıurfa, Muş ve Siirt izlemektedir. Çok boyutlu ölçekleme analizi ile elde edilen gelişmişlik sıralaması ile seçilmiş 11 göstergeye göre faktör analizi sonucu elde edilen gelişmişlik sıralamasına arasındaki farklılıkların nedeni boyut indirgmeden kaynaklanmaktadır.

Tablo 8. İndirgenmiş koordinat sisteminde illerin İstanbul iline Öklid uzaklık değerleri

İller	Uzaklık	Sıra	İller	Uzaklık	Sıra	İller	Uzaklık	Sıra
İstanbul	0	1	Samsun	14.630	28	Giresun	15.359	55
Ankara	8.147	2	Nevşehir	14.647	29	Kahramanmaraş	15.411	56
İzmir	9.939	3	Zonguldak	14.660	30	Sinop	15.422	57
Antalya	11.740	4	Burdur	14.748	31	Niğde	15.431	58
Kocaeli	12.161	5	Karaman	14.750	32	Tokat	15.617	59
Bursa	12.435	6	Bilecik	14.758	33	Osmaniye	15.644	60
Muğla	12.723	7	Tunceli	14.813	34	Bayburt	15.687	61
Tekirdağ	13.444	8	Rize	14.841	35	Erzurum	15.714	62
Denizli	13.506	9	Afyonkarahisar	14.865	36	Ardahan	15.743	63
Mersin	13.612	10	Düzce	14.869	37	Çankırı	15.816	64
Balıkesir	13.653	11	Gaziantep	14.882	38	Kilis	15.854	65
Konya	13.679	12	Karabük	14.927	39	Gümüşhane	16.023	66
Manisa	13.696	13	Artvin	14.974	40	Bingöl	16.093	67
Eskişehir	13.797	14	Aksaray	14.983	41	Adıyaman	16.098	68
Aydın	13.887	15	Erzincan	15.091	42	Iğdır	16.119	69
Adana	14.005	16	Kastamonu	15.096	43	Diyarbakır	16.153	70
Kayseri	14.008	17	Kütahya	15.114	44	Kars	16.289	71
Sakarya	14.033	18	Sivas	15.135	45	Hakkari	16.470	72
Yalova	14.099	19	Kırşehir	15.136	46	Bitlis	16.708	73
Uşak	14.224	20	Malatya	15.143	47	Batman	16.737	74
Çanakkale	14.317	21	Ordu	15.190	48	Mardin	16.740	75
Trabzon	14.344	22	Çorum	15.191	49	Van	16.923	76
Edirne	14.399	23	Amasya	15.236	50	Siirt	17.007	77
Kırklareli	14.407	24	Bartın	15.263	51	Muş	17.192	78
Hatay	14.551	25	Elazığ	15.302	52	Şanlıurfa	17.224	79
Isparta	14.585	26	Kırıkkale	15.316	53	Ağrı	17.379	80
Bolu	14.593	27	Yozgat	15.337	54	Şırnak	17.399	81

Tablo 8’de yer alan uzaklık değerleri incelendiğinde gelişmişlik sıralaması 23 olan Edirne ili ile gelişmişlik sıralamasında en son sırada yer alan Şırnak ili arasındaki 56 il 3 birimlik bir değişim aralığında sıralanmaktadır. Buna göre çok boyutlu ölçekleme analizi sonuçlarında da iller arasındaki gelişmişlik farklılıklarının az olduğu belirlenmiştir.

4. SONUÇLAR

Çalışmada Türkiye’deki illerin 2018 yılı için seçili gelişmişlik göstergelerine göre faktör analizi ve çok boyutlu ölçekleme analizi ile gelişmişlik sıralaması gerçekleştirilmiştir. Seçili gelişmişlik göstergeleri demografik, sosyal ve ekonomik göstergeler olmak üzere üç faktörde bölümlendirilmiştir. Demografik göstergeler olarak isimlendirilen faktöre göre Tunceli ili en gelişmiş il olarak belirlenmiştir. Sosyal ve ekonomik göstergeler olarak isimlendirilen faktörlere göre İstanbul ili en gelişmiş il olarak belirlenmiştir. Seçili 11 gelişmişlik göstergesine göre 2018 yılı için hem faktör hem de çok boyutlu ölçekleme analizlerinden elde edilen gelişmişlik sıralamasında İstanbul ili en gelişmiş il olarak belirlenmiştir. Çalışmada ekonomik göstergelerin gelişmişlik indeksinde en etkili göstergeler olduğu belirlenmiştir. Çalışmada faktör analizi ve çok boyutlu ölçekleme sonucu elde edilen gelişmişlik değerlerine göre Türkiye’de genel olarak iller arasındaki gelişmişlik farklılıklarının az olduğu belirlenmiştir.

KAYNAKLAR

Borg, I. & Groenen, P. (2005), Modern Multidimensional Scaling: Theory and Application, Springer, USA.

[1] Cox, T.F., & Cox, M.A.A. (2001), Multidimensional Scaling. Second Edition, Chapman & Hall / CRC, USA.

[2] Çetin, I., & Sevüktekin, M. (2016), Türkiye'de Gelişmişlik Düzeyi Farklılıklarının Analizi, Uluslararası Ekonomik Araştırmalar Dergisi, 2(2), 39-61.

[3] Erkan, A. R. I., & Hüyüktepe, B. (2019), Sosyo-Ekonomik Göstergeler İçin Çok Değişkenli Veri Analizi: Türkiye İçin Ampirik Bir Uygulama, Aksaray Üniversitesi İktisadi Ve İdari Bilimler Fakültesi Dergisi, 11(1), 7-20.

[4] Kart, R. B., & Keser, İ. K. (2019), Türkiye'deki İllerin Sosyo-Ekonomik Gelişmişlik Düzeylerinin Belirlenmesi ve Yerel Seçim Oy Dağılımlarının Karşılaştırılması, Turkish Journal Of Social Research/Türkiye Sosyal Araştırmalar Dergisi, 23(1), 25-52.

[5] Nafziger, E. (2012), What Is Economic Development? In Economic Development. Cambridge University Press, Doi:10.1017/Cbo9781139028295.003

[6] Uysal, F. N., Ersöz, T., & Ersöz, F. (2017), Türkiye'deki İllerin Yaşam Endeksinin Çok Değişkenli İstatistik Yöntemlerle İncelenmesi, Ekonomi Bilimleri Dergisi, 9(1), 49-65.

[7] Yaşa, A. A., & Künc, G. Y. (2020), Kamu Harcamaları ve Sosyo-Ekonomik Gelişmişlik Düzeyleri Bakımından İllerin Gruplandırılması: Türkiye Üzerine Bir Uygulama, Akademik Araştırmalar Ve Çalışmalar Dergisi (Akad), 12(22), 276-297.

[8] <https://biruni.tuik.gov.tr/ilgosterge/?locale=tr>

[9] <https://www.tbb.org.tr/tr/bankacilik/banka-ve-sektor-bilgileri/istatistiki-raporlar/59>

[10] <https://veri.sgk.gov.tr/>

YAPISAL EŞİTLİK MODELLEMESİ: TEKNOLOJİ KABUL MODELİ
UYGULAMASI¹

İlkay ALTINDAĞ

Semih ÜZÜMCÜ

Necmettin Erbakan Üniversitesi

Özet

e-Nabız sistemi, sağlık kuruluşunda tedavi gören vatandaşların hasta geçmişine ait bilgilerin (rapor, ilaçlar, röntgen vb.) depolandığı bir uygulamadır. Bu sistem akıllı telefon, bilgisayar veya tablet ile internete bağlanarak işlemlerinizi gerçekleştirmenizi sağlamaktadır. Kullanıcı dostu olan bu uygulama sayesinde hastalar ve doktorlar fazla çaba sarf etmeden hızlı bir şekilde geçmiş hasta bilgilerine ulaşabilmektedir. Değişen sağlık ihtiyaçlarını daha iyi anlamak için sistemlerin en son bilgi teknolojisi sistemini benimsemesi gerekmektedir. Son zamanlarda Türkiye'de sağlık alanında hizmetler hızlı bir gelişim göstermektedir. Bu kapsamda faaliyete alınan e-Nabız uygulamasının kullanıcılar açısından benimsenmesini etkileyen faktörlerin belirlenmesi, sistem için büyük öneme sahiptir. Teknoloji Kabul Modeli (TKM), kullanıcıların teknolojik değişime tepkisini ölçmek için kullanılan bir bilgi sistemleri teorisidir. Bu araştırmanın temel amacı, e-Nabız sistemini kullanan sağlık çalışanlarının tutumlarını TKM teorisi ile belirlemektir. Bu amaç doğrultusunda, Ankara Şehir Hastanesinde görev yapan 310 sağlık personeline anket yöntemiyle e-Nabız kullanımını etkileyen faktörlerin belirlenmesine yönelik sorular yöneltilmiştir. Elde edilen veriler Yapısal Eşitlik Modeli (YEM) yöntemi ile test edilmiştir

Anahtar Kelimeler: Yapısal Eşitlik Modeli, Teknoloji Kabul Modeli, e-Nabız Sistemi

STRUCTURAL EQUATION MODELING: TECHNOLOGY ACCEPTANCE MODEL
APPLICATION

Abstract

The e-Nabız system is an application where the information about the patient's history (report, medicines, x-ray, etc.) of the citizens treated in the health institution is stored. This system allows you to perform your transactions by connecting to the internet via smartphone, computer or tablet. Due to this user-friendly application, patients and doctors can quickly access past patient information without much effort. Systems need to adopt the latest information technology system to better understand changing health needs. Recently, the field of health services in Turkey shows a rapid development. In this context, determining the factors affecting the adoption of the e-Nabız application come into operation for users is of great importance for the system. The Technology Acceptance Model (TAM) is an information systems theory used to measure users' response to technological change. The main purpose of this research is to determine the attitudes of healthcare professionals using the e-Nabız system with the TAM theory. For this purpose, 310 health personnel working in Ankara City Hospital were asked questions to determine the factors affecting the use of e-Nabız with the survey method. The data obtained was tested by the Structural Equation Model (SEM) method.

Keywords: Structural Equation Model, Technology Acceptance Model, e-Nabız System.

¹ Bu çalışma Necmettin Erbakan Üniversitesi Fen Bilimleri Enstitüsü İstatistik Anabilim Dalı'nda 2020 yılında yüksek lisans tezi olarak kabul edilen Semih ÜZÜMCÜ'nün "Yapısal Eşitlik Modeli ve Bir Uygulama" isimli tez çalışmasından oluşturulmuştur.

1.GİRİŞ

Günümüzde yaşanan teknolojik gelişmelerin etkisi hayatımızın her alanında ve her noktasında hissedilmektedir. Sağlık kurum ve kuruluşları da bu gelişmelerden etkilenen sektörlerdendir. Sağlık alanında artık çok daha ileri teknoloji alet ve cihazlar kullanılmaktadır. Ayrıca bu cihazlardan elde edilen sonuçların hızlı bir şekilde elde edilmesi ve yorumlanması önem arz etmektedir. Günümüzde internetin ve akıllı telefonların gelişimi ile birlikte iletişim üst düzeyde hız kazanmıştır. Bu hıza uyum sağlamak için her kurum kendine daha hızlı iletişim sağlayacak uygulamalar geliştirmekte ve kullanmaktadır. Örneğin Bankalar mobil bankacılık uygulamalarını, alışveriş marketler e-alışveriş uygulamalarını, kargolar mobil takip uygulamalarını kullanmaktadır. Türkiye Cumhuriyeti Sağlık Bakanlığı da bu teknolojik gelişmeleri takip ederek 2015 yılında e-nabız uygulamasını faaliyete geçirmiştir. e-nabız uygulaması hastaların ve sağlık çalışanlarının hasta sağlık bilgilerine internet ve mobil araçlar aracılığıyla erişim sağladığı uygulamadır.

Bu çalışmada e-nabız sisteminin etkinliğini değerlendirmede gerekli araştırmaları yapmak için Teknoloji Kabul Modeli (TAM) teorisi kullanılmıştır. TAM, kullanılan bir bilgi sisteminin kabulü üzerinde en büyük etkiye sahip faktörleri tanımlamak için literatürde oldukça kullanılan yöntemlerden biridir (Çelik ve ark., 2010). TAM, teknolojinin kullanıcılar tarafından kabul edilmesini açıklamak için ilk olarak Davis (1986) tarafından önerilen bir yöntemdir. TAM, Davis (1989) tarafından, etkili olduğu düşünülen sistem faktörlerine ilişkin kullanıcı algılarının, kullanıcıların bilgi sistemlerinin kabulü üzerindeki etkilerini açıklamak için geliştirilmiştir (Çelik ve ark., 2010; Davis, 1986; Davis, 1989).

Literatür göz önüne alındığında, son yıllarda teknoloji kabul yöntemi kullanılarak yapılan birçok çalışma bulunmaktadır. Abdullah ve Ward (2016), nicel Meta-Analiz kullanarak, TKM'ye göre e-öğrenme adaptasyonunu en sık kullanılan dış faktörleri belirlemektedir. Chen ve ark. (2017), TKM ve Akıllı ve Sürdürülebilir Enerji Teknolojisi Modellerinin Benimsenmesine dayalı bir öngörme modeli benimsemeye yönelik bir dizi sosyal-psikolojik davranışsal niyeti incelemiştir. Dumpit ve Fernandez (2017) TKM'yi benimsemiş, fakat öznel norm içermekte, algılanan oynaklık, hız ve internet güvenliği ek bir yapı olarak yer almaktadır. Taherdoost (2018), e-hizmet teknolojisinin kullanıcı tarafından kabul edildiğini değerlendirmek için E-Hizmet Teknoloji Kabul Modelini (ETAM) geliştirmiştir. Kalyoncuoğlu (2018), TKM ile tüketicilerin online alışverişlerinde ödeme işlemlerinin güvenilirliği için sanal kart kullanımının kabulünü etkileyen faktörleri incelemiştir. Min ve Ark. (2019) Bu çalışma, iki teorik model olan inovasyon teorisinin yayılması ve TKM'yi dikkate alınarak Uber mobil uygulamasının tüketici tarafından benimsenmesini araştırmaktadır. To ve Tang (2019), öğrencilerin bilgisayar tabanlı derslere devam değerlendirmesine yönelik hedeflerini araştırmış ve sonuç olarak daha iyi bir TAM önermiştir. Revyathi ve Teselios (2019) çalışmalarında teknolojinin kabulünü ve öğrenme yönetim sistemlerini (LMS) kullanmaya yönelik davranışsal niyeti incelemektedir. Binyamin ve Smith (2019), TAM yöntemini genişleterek yükseköğretim öğrencilerinde LMS kullanımını etkileyen faktörleri araştırmıştır. Bu çalışma sonucunda 8 dış değişken bu yönteme uyarlanmıştır. Dutot ve ark. (2019) TKM öğelerini, algılanan duyuşsal kalite, hareketlilik, kullanılabilirlik ve güveni birleştiren analitik bir çerçeve önermişlerdir. Rafique ve ark. (2020), TKM'den geliştirilen bir modelle mobil kütüphane uygulamasının (MLA) kabulünü ampirik olarak araştırmışlardır. Walker ve ark. (2020) öğretmenlerin mobil

teknolojinin mevcut kullanımını ve gelecekte kullanım niyetlerini incelemek için TKM yönteminden yararlanmıştır.

Bu çalışmanın temel amacı, e-nabız sistemini kullanan doktorların TAM yöntemini kullanarak, tutumlarını belirleyen faktörler arasındaki ilişkileri Yapısal Eşitlik Modeli (YEM) yöntemi kullanarak analiz etmektir.

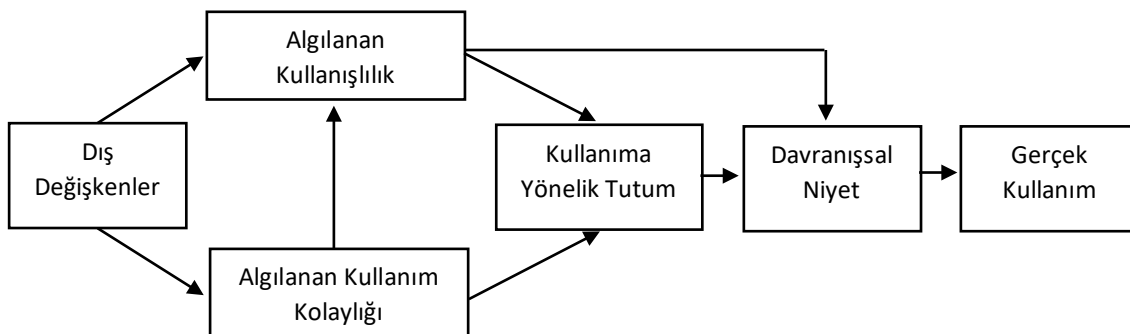
2. e-NABIZ SİSTEMİ

2015 yılında Sağlık Bakanlığı tarafından uygulamaya konulan e-nabız sistemi; sağlık kuruluşlarından toplanan tansiyon, şeker, görüntüler (röntgen vb.), ağırlık, organ bağıışı, randevu gibi bilgilere 7 gün 24 saat kesintisiz olarak hastaların ve sağlık çalışanlarının internet ve mobil araçlar aracılığıyla ulaştığı uygulamadır. Ayrıca uygulamanın sağladığı avantajlar kullanıcıya olumlu anlamda izler bırakmaktadır. Hastanın geçmişte sağlık ile ilgili tüm tıbbi dökümanın tek çatı altında tutulduğu ve dilediği an kolay şekilde ulaşmasına imkân sağlamaktadır. Sisteme üç farklı erişim yolu bulunmaktadır. Bunlar e-devlet, e-imza ve mobil imzadır. Sistemin getirdiği en büyük avantaj ise teşhis ve tedavi sürecinde büyük rol oynamasıdır. Bununla beraber geçmişe dair kişisel verilerinde tutulması sebebiyle hastaya müdahale esnasında, sağlık personelin hasta hakkında önemli bilgilere ulaşmasına imkân sağlayabilmektedir. Bu şekilde erken teşhis/tedavi ile hastanın durumunun kontrol altına alınmasına olanak vermektedir (Üzümcü, 2020).

3. TEKNOLOJİ KABUL MODELİ (TKM)

1986 yılında ilk kez Davis tarafından geliştirilen TKM, Algılanan Kullanışlılık (AK) ve Algılanan Kullanım Kolaylığı (AKK) etkisine dayanmaktadır. TKM'nin amacı, genel olarak bilgisayar teknolojileri ve kullanıcı popülasyonları arasında kullanıcı davranışını açıklayabilen ve aynı zamanda hem temel hem de teorik olarak haklı bir açıklama sunmasını sağlamaktır. TKM, amaç edindiği hedefe dayanarak mevcut teori ve kanıtlarla desteklenen temel Mantıksal Eylem Teorisi (Theory of Reasoned Action:MET) yaklaşımına çeşitli uyarlamalar yapılarak çıkmıştır. TKM, sadece tahmin için değil, aynı zamanda açıklama için de yararlı olan bir model ister, böylece araştırmacılar belirli bir sistemin niçin kabul görmediğini tespit edebilir ve buna dair adımlar atılabilir (Davis,1989). Yani, TKM özetle kullanıcıların davranışları üzerinde inceleme yapan bir model olup yeni sistem üzerinde kişilerin sisteme verdiği tepkiyi incelemeye çalışır.

TKM, temelinde 4 farklı kavram barındırmaktadır. Bunlar; Algılanan Kullanım Kolaylığı (AKK), Algılanan Kullanışlılık (AK), Davranışsal Niyet (DN) ve Kullanıma Karşı Tutumdur (KKT). Şekil 1.'de ise TKM'de kullanılan tüm kavramlar gösterilmiştir.



Şekil 1. Teknoloji Kabul Modeli (TKM) (Davis ve ark.,1989)

Önceki kısımda bahsedildiği üzere TKM, MET üzerine inşa edilen bir yaklaşımdır. TKM modeline daha sonra tecrübe, gönüllülük, öznelik, imaj, işe uyumluluk, çıktı kalitesi ve sonuçların gösterilebilirliği gibi değişkenler teknoloji kabulü etkilediği çalışmalara dayandırılmasından dolayı, TKM'ye eklenerek TKM2 ortaya çıkmıştır (Venkatesh ve Davis, 2000).

Günümüzde süre gelen model ve araştırmalar sonucunda; Algılanan kullanılabilirliği etkileyen değişkenler olduğu gibi algılanan kullanım kolaylığını da etkileyen değişkenler olabileceği düşünülerek TKM3 ortaya çıkmıştır. TKM3, TKM2'ye göre algılanan kullanım kolaylığını etkilediği düşünülen iki durum daha eklenmiştir. Bunlar; 1- Dayanak kavramı altında öz yeterlilik, harici kontrol algısı, kaygı ve eğlence iken 2-Uyum kavramı altında algılanan keyif ve nesnelere kullanılabilirliğidir (Venkatesh ve Bala, 2008).

Araştırmada kullanılan TKM boyutlarının açıklamaları:

Algılanan Kullanım Kolaylığı: AKK, potansiyel kullanıcının hedef sistemin emek göstermeden kullanımının kolay benimsenmesini ifade eder. Kullanıcı bir teknolojiyi kullanırken herhangi bir zorluk yaşamadan gerçekleştiriyorsa, kullanımını kolay bulduğundan o teknolojiyi kullanmaya devam edecektir.

Algılanan Kullanılabilirlik: AK, potansiyel kullanıcının belirli bir uygulama sistemini kullanmanın örgütsel bir bağlamda iş performansını artırması konusundaki olumlu yada olumsuz durumlarıdır. Yani, bir teknolojiye AK, teknolojiye erişim kolaylığı sağlama yeteneği ile ilişkilidir. Kişi eğer kullanmış olduğu teknolojiyi beklentilerinin üstünde verim alıyorsa, o teknolojinin kendisine faydalı olacağı düşüncesi uyanır. Bu nedenle o teknolojiyi sürekli kullanır hale gelecektir.

Kullanıma Karşı Tutum: Tutum, kişilerin inançları, davranışları ve niyetleri arasında birleştirici görevi üstlenir. Yani, kişinin bir durum, olay veya olgu karşısında ortaya çıkabilecek davranış şeklidir. Kullanıcının bir teknolojiyi kullanmaya karşı tutumu, teknolojinin kabul edilmesinde belirleyici bir unsurlardandır.

Davranışsal Niyet: Niyet, kişinin ortaya koyacağı davranış için duyduğu arzu ve çabanın toplamı olarak ifade edilir. Davis'e (1989) göre ise bireyin beklenen davranışı gösterme amacına yönelik güç ve tutum aracılığıyla belirlenen kavramdır.

Gerçekleşen Kullanım: TKM'de tutum ve niyetin davranış üzerindeki etkisini gözlemleyebilmek amacıyla kullanılan bir kavramdır. Kullanıcıda eğer teknolojiye karşı olumlu niyet ve tutum görülürse teknolojiyi pozitif etkiyle benimsemesi beklenir.

4.MATERYAL VE YÖNTEM

4.1.Yapısal Eşitlik Modeli

Yapısal Eşitlik Modeli (YEM) sosyal çalışmacılar, eğitim bilimciler, ekonomistler, biyologlar, pazarlama ve tıbbi araştırmacılar tarafından kullanılan istatistiksel bir yöntemdir. YEM'in çok geniş alanlarda yaygın biçimde kullanılmasının sebebi araştırmacılara temel teorilerin nicelendirilebilmesi ve test edilebilmesi için geniş kapsamlı yöntem sağlamasıdır. YEM'in diğer istatistik yöntemlerinden farklı olarak en önemli özelliği ise gözlenen ve gizil değişkenler arasındaki nedensel ilişkilerin sınanmasıdır. YEM, regresyon, faktör analizi ve path (yol) analizi, kapsayan bir analiz yöntemidir. (Altındağ ve Genç, 2015; Altındağ, 2017). Ayrıca YEM, herhangi bir konu hakkında yapısal kuramın çok değişkenli analizine hipotez testi yaklaşımı getirmektedir (Raykov ve Marcoulides, 2006; Çelik, 2009).

YEM'in diğeri bir temel karakteristik özelliđi her disiplinde bulunan ve tipik olarak gizil deđişkenler içeren ölçüm hatalarını dikkate almasıdır. Veri toplama işlemlerinde gözlenen deđişkenler ölçülebilen deđişkenlerdir, gizil deđişkenler ise yapının incelenen davranışlarının belirli bir ortamda veya durumdaki davranışları gözlenen deđişkenlere bağlanarak ölçülebilen deđişkenlerdir. Çünkü bunlar doğrudan ölçülemez. Bir gizil deđişkeni ölçmek ya da deđerlendirilmesi için doğrudan bir yöntem yoktur. (Raykov ve Marcoulides, 2006; Civelek, 2018). Bu gözlenen deđişkene bağlanarak ölçülmesi durumu, çok yaygın olarak benimsenmiştir. Bu kadar fazla ilgi görmesinin nedeni ise gözlemlenen deđişkenlerdeki hatalar ve ölçüm hataları arasındaki ilişkileri dahil etme yeteneđidir. Bu özelliđi sayesinde ölçüm hataları en aza indirilebilir. Geleneksel regresyon analizinde, potansiyel ölçüm hataları göz ardı edilir. YEM'lerin regresyon modellerinden ayıran farklılıklarından biride kovaryans matrisine dayanmalarıdır. Bu sebeple, birçok kaynakta kovaryans yapısı analizi veya kovaryans yapısı modellenmesi olarak da adlandırılır (Civelek, 2018; Bayram, 2013).

YEM, ölçüm ve yapısal model olarak iki alt modele ayrılmaktadır (Hair ve ark.,2014). Ölçüm modeli, gözlenen ve gizil deđişkenler arasında bulunan ilişkileri, yapısal model ise gizil deđişkenler arasında bulunan ilişkiyi ifade eder. YEM'in önemli özelliđi, test edilen model ya da modellerin, bu kapsamda elde edilmiş veriler için uygunluđunun belirlenebilmesi için deđerlendirme ölçütleri sunabilmesidir (Hoyle, 1995). En basit anlamı ile YEM, aynı anda tahmin edilen bir dizi ayrı çoklu regresyon denklemi için en uygun ve en verimli tahmin tekniđini sağlar.

YEM iki ana bileşenden oluşmaktadır (Anderson ve Gerbing, 1988; Huchting ve ark., 2008):

- i. **Ölçüm Modeli:** Gizil deđişkenler ile gözlenen deđişkenler arasındaki ilişkiyi gösterir.
- ii. **Yapısal Model:** Gizil yapılar veya endojen deđişkenler arasındaki ilişkileri gösterir.

Bu çalışmada TAM modelinde ele alınan boyutlar arasındaki nedensel ilişkileri elde etmek ve bu boyutlar arasındaki ilişkilerin istatistiksel önemini deđerlendirmek için YEM yöntemi kullanılmıştır.

4.1.1. YEM için Model Uyumunun Deđerlendirilmesi

Literatürde YEM analizi sonuçlarını deđerlendirmek için birçok uyum iyiliđi testi vardır. Literatürde sıkça kullanılan test istatistikleri ki-kare istatistiđi, Kök Ortalama Kare Yaklaşım Hatası (RMSEA), Uyum İyiliđi İstatistiđi (GFI), Düzeltilmiş Uyum İyiliđi İstatistiđi (AGFI), Standart Kök Ortalama Kare Kalıntısı (SRMR), Normlu Uyum Endeksi (NFI) ve Karşılaştırmalı Uyum Endeksi (CFI). Uyum iyiliđi deđerleri ve uyum referans aralıkları Tablo 1'de gösterilmiştir (Çelik,2009).

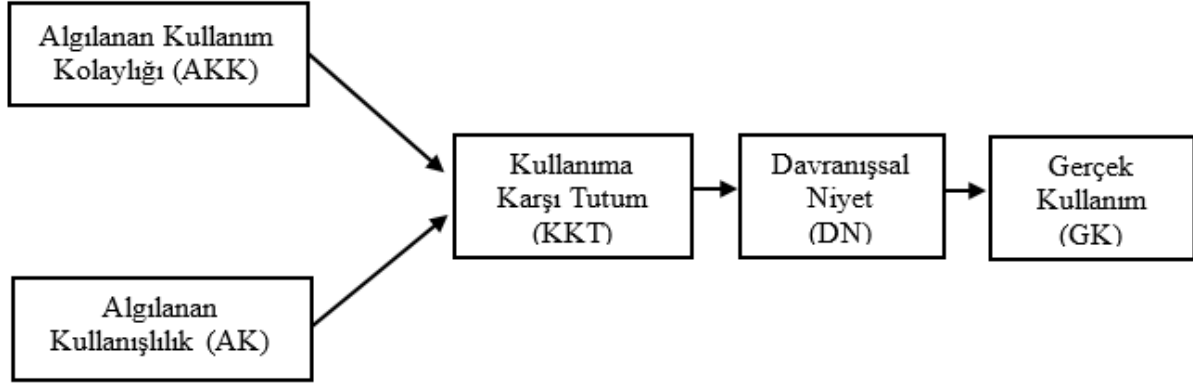
Tablo 1. Uyum İndeksleri Referans Aralığı (Çelik,2009)

<i>Uyum İndeksleri</i>	<i>İyi Uyum</i>	<i>Kabul Edilebilir Uyum</i>
χ^2/sd	$0 \leq \chi^2/sd \leq 2sd$	$2sd < \chi^2/sd \leq 3sd$
RMSEA	$0 \leq RMSEA \leq 0.05$	$0.05 < RMSEA \leq 0.08$
SRMR	$0 \leq SRMR \leq 0.05$	$0.05 < SRMR \leq 0.10$
NFI	$0.95 \leq NFI \leq 1$	$0.90 \leq NFI < 0.95$
CFI	$0.97 \leq CFI \leq 1$	$0.95 \leq CFI < 0.97$
GFI	$0.95 \leq GFI \leq 1$	$0.90 \leq GFI < 0.95$
AGFI	$0.90 \leq AGFI \leq 1$	$0.85 \leq AGFI < 0.90$

4.2. Araştırmanın Modeli, Amacı ve Hipotezleri

Çalışma 5 yıldır uygulamada olan (2015) e-nabız sisteminin doktorlar açısından kullanım kolaylığını/zorluğunu test etmeyi amaçlamaktadır. Çalışmanın örneklemini Ankara Şehir Hastanesindeki doktorlar (Pratisyen Hekim, Asistan, Uzman Hekim ve diğerleri) oluşturmaktadır. Bu test TKM yaklaşımından yararlanılarak ve YEM yöntemi kullanılarak gerçekleştirilmiştir.

1989 Davis ve arkadaşları tarafından önerilen TKM yapısı e-nabız sistemine uyarlanarak test edilmiştir. Test edilen araştırma modeli aşağıdaki Şekil 2’de verilmiştir.



Şekil 2. Test Edilen Araştırma Modeli

e-nabız uygulamasının değerlendirildiği bu araştırmada dört adet hipotez test edilmiştir. Bu hipotezler aşağıdaki gibidir.

H(1): Algılanan Kullanım Kolaylığı, Kullanıma Yönelik Tutum üzerinde pozitif etkiye sahiptir.

H(2): Algılanan Kullanışlılık, Kullanıma Yönelik Tutum üzerinde pozitif etkiye sahiptir.

H(3): Kullanıma Yönelik Tutumun, Davranışsal Niyet üzerinde pozitif etkiye sahiptir.

H(4): Davranışsal Niyet, Gerçek Kullanım üzerinde pozitif etkiye sahiptir.

4.3. Araştırma Örneklemi ve Verilerin Derlenmesi

Çalışmanın kitlesini Ankara İli Şehir Hastanesinde görev yapan; Pratisyen Hekim, Asistan, Uzman Hekim ve diğer unvanlardan oluşan personel oluşturmaktadır. Evren büyüklüğü $N=1500$ 'dir. Anket çalışmasında güven düzeyi $(1-\alpha) = 0.95$, olasılık değeri $p = 0.5$, evren tahmini için sapma miktarı $d = 0.05$ olarak alınmıştır (Büyüköztürk ve ark., 2018). Bu değerlere karşılık gelen örneklem sayısının 310 olduğu belirlenmiştir. Araştırma için toplanan veriler basit rasgele örnekleme yöntemi ile branş ve unvan bazında seçilen personel ile birebir görüşme neticesinde elde edilmiştir.

Uygulanılan anket formu iki bölümden ve toplamda 28 sorudan oluşmaktadır. Birinci bölümde demografik değişkenlerle ilgili 5 soru yer alırken (Cinsiyet, Ne zamandan beri e-Nabız uygulamasını kullanıyorsunuz, Çalıştığınız branş, Yaş aralığınız ve Unvanınız), ikinci bölümde ise 23 sorudan oluşan 5'li likert ölçeği (1-Hiç katılmıyorum, 2-Katılmıyorum, 3-Kararsızım, 4-Katılıyorum, 5-Tamamen katılıyorum) ile tutum ifadelerine yer verilmiştir.

Anket sonucunda katılımcıların demografik özellikleri Tablo 2’de gösterilmiştir.

Tablo 2. Katılımcıların Demografik Özellikleri

Değişken	Değişken Düzeyleri	n	%
Cinsiyet	Kadın	153	49.4
	Erkek	157	50.6
e-Nabız Kullanım Süresi	1 yıldan az	82	26.5
	1-2 yıl arası	126	40.6
	2-3 yıl arası	69	22.3
	3 yıldan fazla	33	10.6
Branş	Genel Cerrahi	61	19.7
	İç Hastalıkları	80	25.8
	Kadın Hast. ve Doğum	49	15.8
	Çocuk Sağ. ve Hast.	71	22.9
	Diğer	49	15.8
Yaş Aralığı	28 yaş altı	53	17.1
	28-36 yaş arası	71	22.9
	37-45 yaş arası	120	38.7
	46-54 yaş arası	54	17.4
	55 yaş üstü	12	3.9
Unvan	Pratisyen Hekim	46	14.8
	Asistan	73	23.5
	Uzman Hekim	139	44.8
	Diğer	52	16.8

Örneklem büyüklüğü olarak belirlenen 310 kişi üzerinde yapılan anket çalışması sonucunda ankete katılan kişilerin % 49.4'lük dilimini 153 kadın oluştururken, % 50.6'lık dilimini ise 157 erkek oluşturmuştur. e-Nabız uygulamasını 1 yıldan az zamandır kullananların % 26.5'ini 82 kişi, 1-2 yıl arası kullananların % 40.6'sını 126 kişi, 2-3 yıl arası kullananların %22.3'ünü 69 kişi ve 3 yıldan fazla kullananların %10.6'sını 33 kişi tarafından kullanıldığı görülmektedir. Çalışılan branş ile ilgili elde edilen sonuçlara göre Genel Cerrahi bölümünde görev yapanların %19.7'sini 61 kişi, İç Hastalıkları bölümünde görev yapanların %25.8'ini 80 kişi, Kadın Hastalıkları ve Doğum bölümünde görev yapanların %15.8'ini 49 kişi, Çocuk Sağlığı ve Hastalıkları bölümünde görev yapanların %22.9'unu 71 kişi ve Diğer bölümlerde görev yapanların ise %15.8'i 49 kişidir. Katılımcıların 28 yaş altında olanlardan %17.1'i 53 kişi, 28-36 yaş arasında %22.9'u 71 kişi, 37-45 yaş arasında %38.7'si 120 kişi, 46-54 yaş arasında %17.4'ü 54 kişi ve 55 yaş üstünde %3.9'u 12 kişiden oluşmaktadır. Unvan bazında ise %14.8'lik dilime karşılık 46 kişi pratisyen hekim, %23.5'lik dilime karşılık 73 kişi asistan, %44.8'lik dilime karşılık 139 kişi uzman hekim ve %16.8'lik dilimini de 52 kişi diğer unvanlardan oluşturmuştur.

Araştırmada kullanılan model, Davis'in (1989) Teknoloji Kabul Modelinden yola çıkılarak hazırlanmıştır. Hazırlanan anket formu: Çalışanların ankette ki 23 Likert ifadenin yani gözlenen değişkenlerin gizil değişkenler üzerinde ölçüm yapıp yapmadığını incelemek amacıyla ölçüm modeli, gizil değişkenler arasındaki ilişkilerin incelenmesi içinde yapısal model kurulmuştur. Analizi gerçekleştirmek için AMOS 22.0.0 istatistik paket programı kullanılmıştır. Araştırma modelinde yer alan faktörler ve tutum ifadeleri Tablo 3'te gösterilmiştir.

Tablo 3. Modelde Yer Alan Faktörler ve Tutum İfadeleri

Faktörler ve Tutum İfadeleri

Faktör AKK. Algılanan Kullanım Kolaylığı

- AKK1. e-Nabız sistemi kullanımının benim için kolay olacağını düşünüyorum.
AKK2. e-Nabız sistemi ile olan etkileşimim net ve anlaşılır olacağına inanıyorum.
AKK3. e-Nabız sistemi kullanımının işimde uzmanlık sağlayacağını düşünüyorum.
AKK4. e-Nabız sistemi ile etkileşime girilebilecek esnekliği bulurdum.
AKK5. e-Nabız sistemini kullanmak benim için kolaydır.
AKK6. Hastadan bilgi almak istediğim konu e-Nabız sistemi ile kolay olurdu.
-

Faktör AK. Algılanan Kullanışlılık

- AK1. İşimde e-Nabız sistemini kullanmak işleri daha hızlı gerçekleştirmeme olanak sağlar.
AK2. e-Nabız sistemi ile iş performansım artacaktır.
AK3. e-Nabız sistemi ile iş verimliliğim artacaktır.
AK4. e-Nabız sistemi sayesinde iş üzerinde etkinliğim artacaktır.
AK5. e-Nabız sistemini kullanmak işimi kolaylaştıracaktır.
AK6. İşimde e-Nabız sistemini faydalı buluyorum.
-

Faktör KKT. Kullanıma Karşı Tutum

- KKT1. e-Nabız sisteminin iyi bir fikir olduğuna inanıyorum.
KKT2. e-Nabız sistemini seviyorum.
KKT3. e-Nabız sistemini kullanmak olumlu fikirdir.
-

Faktör DN. Davranışsal Niyet

- DN1. İleri zamanlarda e-Nabız sistemini kullanmaya devam edeceğimi düşünüyorum.
DN2. e-Nabız sistemini kullanışlı varsayarak, onu kullanmayı düşünüyorum.
DN3. İşimde e-Nabız sisteminin kullanımını önemli buluyorum.
DN4. İşim için e-Nabız sistemini uygun buluyorum.
-

Faktör GK. Gerçek Kullanım

- GK1. e-Nabız uygulamasını ne sıklıkla kullanıyorsunuz?
GK2. e-Nabız uygulamasını haftada kaç kez kullanıyorsunuz?
GK3. e-Nabız uygulaması için haftada yaklaşık kaç saat kullanıyorsunuz?
-

5. UYGULAMA

Uygulamanın ilk bölümünde, anket verilerinin güvenilirliğini tespit etmek için SPSS 25.0.0 paket programı kullanılarak Cronbach Alfa değerleri hesaplanmıştır. İkinci bölümde ise AMOS paket programı ile önce ölçüm modelinin uyumuna bakılmış olup, gerekli uyum sağlandıktan sonra yapısal model test edilmiştir.

Çalışmanın güvenilirliğinin test edilmesinde yaygın olarak kullanılan değer Cronbach alfa (α) güvenilirlik katsayısı'dır. Güvenirlik için Cronbach Alfa değerinin yüksek olması gerekmektedir ve bu değer 0.70'den küçük olması verilerin güvenilir olmadığı anlamına gelmektedir (Kalaycı, 2006). Araştırma modeli için elde edilen güvenilirlik analizinin sonuçları Tablo 4'te gösterilmiştir.

Tablo 4. Modele İlişkin Elde Edilen Cronbach Alfa Değerleri

<i>Faktör AKK</i>	<i>Cronbach Alfa</i>	<i>Değerlendirme</i>
AKK1. AKK2. AKK3. AKK4. AKK5. AKK6.	0.712	Kabul Edilebilir Uyum.
<i>Faktör AK</i>		<i>Değerlendirme</i>
AK1. AK2. AK3. AK4. AK5. AK6.	0.802	İyi Uyum.
<i>Faktör KKT</i>		<i>Değerlendirme</i>
KKT1. KKT2. KKT3.	0.717	Kabul Edilebilir Uyum.
<i>Faktör DN</i>		<i>Değerlendirme</i>
DN1. DN2. DN3. DN4.	0.791	Kabul Edilebilir Uyum.
<i>Faktör GK</i>		<i>Değerlendirme</i>
GK1. GK2. GK3.	0.789	Kabul Edilebilir Uyum.
<i>Ölçeğin Tamamı</i>	0.922	Mükemmel Uyum.

Tablo 4'teki sonuçlara bakıldığında araştırma ölçeği faktörleri ve geneli itibariyle güvenilir olarak kabul edilebilir.

Yapısal Eşitlik Modellemesine İlişkin Analiz Sonuçları

i. Ölçüm Modeline İlişkin Analiz Sonuçları

Gözlenen ve gizil değişkenler arasındaki bağlantıları gösteren YEM'in ilk adımını DFA oluşturur. DFA ile araştırmada, ölçüm modelinin veriler üzerinde ne derece uyum sağladığını göstermeye çalışır. DFA'nın ilk safhasında bütün gizil değişkenler arasında korelasyona izin verilirken tutarlı olmayan bu korelasyon değerleri modelden atılır. Çalışmamızda birincil düzey DFA kullanılmış olup, AMOS paket programıyla gizil değişkenler birbirine bağlandı. İlişkisiz olan bu gizil değişkenlere kovaryanslar eklenerek modele ilişkin faktörler/maddelere ilişkin elde edilen parametre değerleri Tablo 5'te verilmiştir.

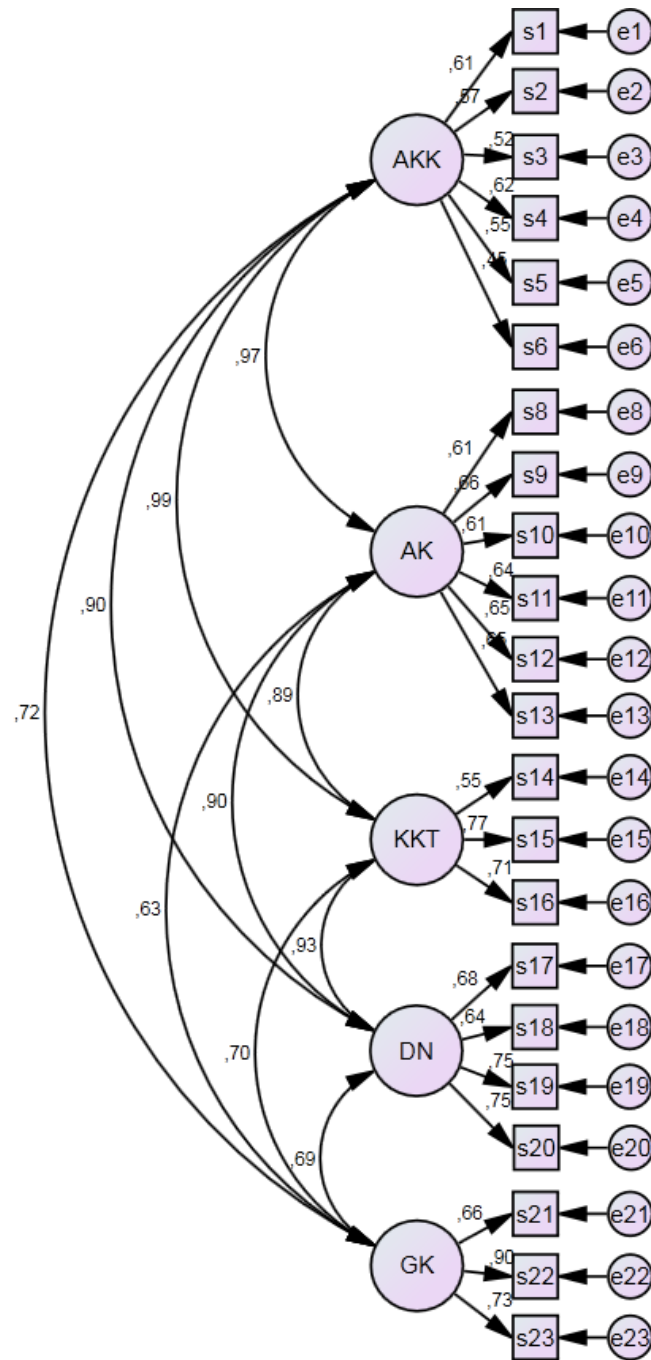
Tablo 5. Faktörler/Maddelere İlişkin Elde Edilen Parametre Değerleri

Faktörler/Maddeler		Standartlaştırılmış Parametre Tahmin Değerleri	t - değeri	p - değeri
AKK: Algılanan Kullanım Kolaylığı	Soru.1 » AKK1	0.604		
	Soru.2 » AKK2	0.573	8.687	<0.05
	Soru.3 » AKK3	0.525	8.095	<0.05
	Soru.4 » AKK4	0.62	9.249	<0.05
	Soru.5 » AKK5	0.549	8.404	<0.05
	Soru.6 » AKK6	0.453	7.139	<0.05
AK: Algılanan Kullanışlılık	Soru.8 » AK1	0.603		
	Soru.9 » AK2	0.615	9.014	<0.05
	Soru.10 » AK3	0.56	8.365	<0.05
	Soru.11 » AK4	0.632	9.197	<0.05
	Soru.12 » AK5	0.64	9.285	<0.05
	Soru.13 » AK6	0.656	9.462	<0.05
KKT: Kullanıma Karşı Tutum	Soru.14 » KKT1	0.707		
	Soru.15 » KKT2	0.773	12.66	<0.05
	Soru.16 » KKT3	0.549	9.086	<0.05
DN: Davranışsal Niyet	Soru.17 » DN1	0.75		
	Soru.18 » DN2	0.745	12.846	<0.05
	Soru.19 » DN3	0.638	10.898	<0.05
	Soru.20 » DN4	0.678	11.614	<0.05
GK: Gerçek Kullanım	Soru.21 » GK1	0.734		
	Soru.22 » GK2	0.901	13.543	<0.05
	Soru.23 » GK3	0.659	10.973	<0.05

Ölçüm modeline ilişkin t değerleri de değişkenlerin faktör yüklerinin tamamının istatistiksel açıdan anlamlı olduğunu ortaya koymaktadır.

Araştırmada baz alınan anketin 7. sorusunu “e-Nabız sistemi kullanma kolaylığı belirleme yeteneğimin, deneyimim yetersizliği ile sınırlı olduğumu hissediyorum” oluşturmaktadır. Lakin anket doldurma esnasında kişilerin soruyu yanlış algıladıkları ve tutarlı cevaplar tespit edilemediğinden 7. soru araştırmadan çıkarılmıştır. (Faktör yükü düşük (0.30’un altında) olduğu için ilgili madde çıkarılmıştır.

Anketin 9. sorusunu “e-Nabız sistemi ile iş performansım artacaktır” oluştururken, 10. sorusunu ise “e-Nabız sistemi ile iş verimliliğim artacaktır” oluşturmaktadır. Anketi dolduran kişilerin her iki soruyu da aynı algılamaları sebebiyle benzer cevaplar verildiği tespit edildiğinden bu iki soruda ise birleştirilmeye gidilmiştir.



Şekil 3. Araştırma Modeline İlişkin Ölçüm Modeli

Araştırmanın ölçüm modeline ilişkin path diyagramı Şekil 3’te, uyum indeksleri ise Tablo 6’da gösterilmiştir.

Tablo 6. Ölçüm Modeline İlişkin Uyum İndeksleri

<i>Uyum İndeksleri</i>	<i>İyi Uyum</i>	<i>Kabul Edilebilir Uyum</i>	<i>Model</i>	<i>Sonuç</i>
χ^2/sd	$0 \leq \chi^2/sd \leq 2sd$	$2sd < \chi^2/sd \leq 3sd$	1.313	İyi Uyum
RMSEA	$0 \leq RMSEA \leq 0.05$	$0.05 < RMSEA \leq 0.08$	0.032	İyi Uyum
SRMR	$0 \leq SRMR \leq 0.05$	$0.05 < SRMR \leq 0.10$	0.028	İyi Uyum
NFI	$0.95 \leq NFI \leq 1$	$0.90 < NFI \leq 0.95$	0.910	Kabul Edilebilir Uyum
CFI	$0.97 \leq CFI \leq 1$	$0.95 \leq CFI < 0.97$	0.977	İyi Uyum
GFI	$0.95 \leq GFI \leq 1$	$0.90 \leq GFI < 0.95$	0.928	Kabul Edilebilir Uyum
AGFI	$0.90 \leq AGFI \leq 1$	$0.85 \leq AGFI < 0.90$	0.908	İyi Uyum

Araştırmada YEM’in testinden hemen önce, bu yapısal modelde bulunacak değişkenlerin beraber modellenebildiği bir ölçüm modeli oluşturulup analiz uygulanmıştır. Analizde elde edilen değerler incelenecek olursa; ölçüm modeli için hesaplanan χ^2 değeri 260.58 ve serbestlik derecesi 198’dir ($\chi^2/sd = 1.313$). χ^2 değeri örneklem büyüklüğünden etkilenmesi sebebiyle, örneklem büyüklüğünden daha az etkilenen χ^2/sd değeri ölçüt alınmıştır. Ölçüm modeline ilişkin diğer uyum iyiliği indeksleri de (RMSEA = 0.032; SRMR = 0.028; NFI = 0.91; CFI = 0.977; GFI = 0.928; AGFI = 0.908) incelendiğinde modelin kabul edilebilir düzeyde uyum sağladığı görülebilmektedir. Sonuç olarak ölçüm modeli uyumlu bulunmasından dolayı yapısal modele geçilmiştir.

ii. Yapısal Modele İlişkin Analiz Sonuçları

Araştırma modelinde test edilen hipotezler:

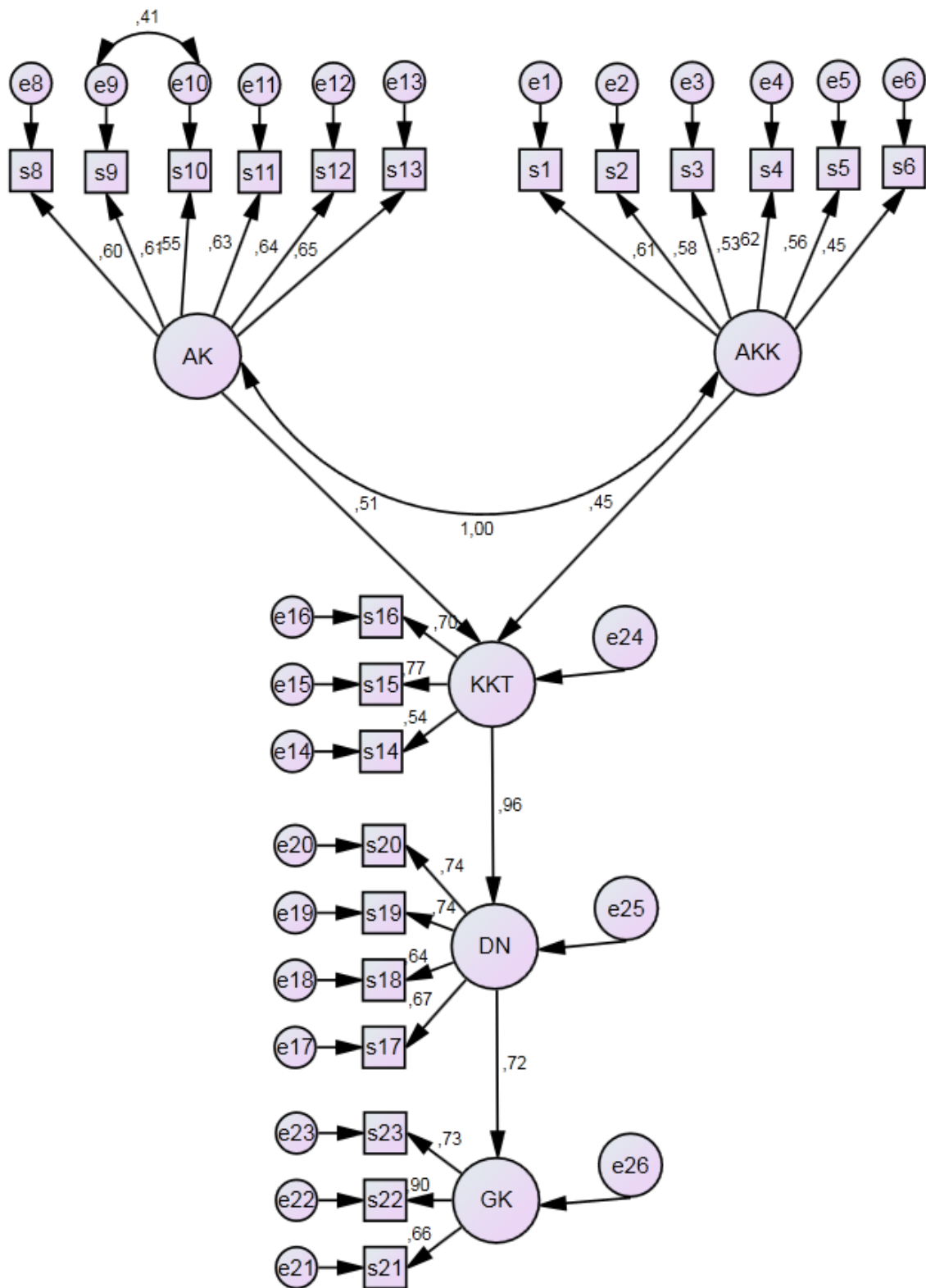
H(1): Algılanan Kullanım Kolaylığının, Kullanıma Karşı Tutum üzerinde pozitif etkiye sahiptir.

H(2): Algılanan Kullanışlılığın, Kullanıma Karşı Tutum üzerinde pozitif etkiye sahiptir.

H(3): Kullanıma Karşı Tutumun, e-Nabız Davranışsal Niyet üzerinde pozitif etkiye sahiptir.

H(4): e-Nabız Davranışsal Niyetin, Gerçek Kullanım üzerinde pozitif etkiye sahiptir.

Bu iddia edilen hipotezleri yapısal model sonucundaki değerlere göre incelenmiştir. Standartlaştırılmış değerleri içeren yapısal model Şekil 6.2.’de verilmiştir.



Şekil 4. Araştırma Modeline İlişkin Yapısal Model

Yapısal Modelin path diyagramının gösterildiği Şekil 4. incelendiğinde, AKK üzerinde 0.62’lik değerle s4 “e-Nabız sistemi ile etkileşime girilebilecek esnekliği bulurdum (AKK4)” maddesinin en etkili madde, AK üzerinde 0.65’lik değerle s13 “İşimde e-Nabız sistemini faydalı buluyorum. (AK13)” maddesinin en etkili madde, KKT üzerinde 0.77’lik değerle s15 “e-Nabız sistemini seviyorum. (KKT2)” maddesinin en etkili madde, DN üzerinde 0.74’lük aynı iki değerle s19 “İşimde e-Nabız sistemini kullanımını önemli buluyorum. (DN3)” ve s20 “İşim için e-Nabız sistemini uygun buluyorum. (DN4)” maddesinin en etkili iki maddesi, GK üzerinde 0.90’lık değerle s22 “e-Nabız uygulamasını haftada kaç kez kullanıyorsunuz? (GK2)” maddesinin en etkili madde olduğu sonucuna varılmıştır.

Test edilen çalışma modeli için ölçüm modelinde gerekli uyum iyiliği indeksi şartları sağlandıktan sonra yapısal model testi yapılmıştır. Yapısal modelde elde edilen uyum indeksleri Tablo 7’de verilmiştir.

Tablo 7. Yapısal Modele İlişkin Uyum İndeksleri

<i>Uyum İndeksleri</i>	<i>İyi Uyum</i>	<i>Kabul Edilebilir Uyum</i>	<i>Model</i>	<i>Sonuç</i>
χ^2/sd	$0 \leq \chi^2/sd \leq 2sd$	$2sd < \chi^2/sd \leq 3sd$	1.329	İyi Uyum
RMSEA	$0 \leq RMSEA \leq 0.05$	$0.05 < RMSEA \leq 0.08$	0.033	İyi Uyum
SRMR	$0 \leq SRMR \leq 0.05$	$0.05 < SRMR \leq 0.10$	0.030	İyi Uyum
NFI	$0.95 \leq NFI \leq 1$	$0.90 \leq NFI < 0.95$	0.906	Kabul Edilebilir Uyum
CFI	$0.97 \leq CFI \leq 1$	$0.95 \leq CFI < 0.97$	0.975	İyi Uyum
GFI	$0.95 \leq GFI \leq 1$	$0.90 \leq GFI < 0.95$	0.925	Kabul Edilebilir Uyum
AGFI	$0.90 \leq AGFI \leq 1$	$0.85 \leq AGFI < 0.90$	0.907	İyi Uyum

Yapısal model için hesaplanan χ^2 değeri 271.178 ve serbestlik derecesi 204’dür ($\chi^2/sd = 1.329$). Yapısal modele ilişkin diğer uyum iyiliği indeksleri de (RMSEA = 0.033; SRMR = 0.030; NFI = 0.906; CFI = 0.975; GFI = 0.925; AGFI = 0.907) incelendiğinde modelin kabul edilebilir uyum sağladığı görülmektedir.

Yapısal Modele İlişkin Parametre Değerleri Tablo 8’de Hipotez testi sonuçları ise Tablo 9’da

Tablo 8. Yapısal Modele İlişkin Parametre Değerleri

Faktörler/Maddeler		Standartlaştırılmış Parametre Tahmin Değerleri	t - değeri	p - değeri
KKT → AKK		0.45	11.656	<0.05
KKT → AK		0.514	11.648	<0.05
DN → KKT		0.955	11.676	<0.05
GK → DN		0.718	9.495	<0.05
AKK: Algılanan Kullanım Kolaylığı	Soru.1 » AKK1	0.611		
	Soru.2 » AKK2	0.582	8.76	<0.05
	Soru.3 » AKK3	0.527	8.079	<0.05
	Soru.4 » AKK4	0.624	9.261	<0.05
	Soru.5 » AKK5	0.555	8.437	<0.05
	Soru.6 » AKK6	0.448	7.036	<0.05
AK: Algılanan Kullanışlılık	Soru.8 » AK1	0.602		
	Soru.9 » AK2	0.606	8.943	<0.05
	Soru.10 » AK3	0.551	8.287	<0.05
	Soru.11 » AK4	0.63	9.216	<0.05
	Soru.12 » AK5	0.638	9.296	<0.05
	Soru.13 » AK6	0.65	9.434	<0.05
KKT: Kullanıma Karşı Tutum	Soru.16 » KKT3	0.702		
	Soru.15 » KKT2	0.767	12.572	<0.05
	Soru.14 » KKT1	0.541	8.977	<0.05
DN: Davranışsal Niyet	Soru.20 » DN4	0.742		
	Soru.19 » DN3	0.736	12.653	<0.05
	Soru.18 » DN2	0.637	10.875	<0.05
	Soru.17 » DN1	0.672	11.496	<0.05
GK: Gerçek Kullanım	Soru.23 » GK3	0.73		
	Soru.22 » GK2	0.903	13.417	<0.05
	Soru.21 » GK1	0.662	10.967	<0.05

Tablo 9. Test Edilen Modele İlişkin Hipotez Sonuçları

Hipotez No	Hipotezler	Sonuç
<i>H(1)</i>	Algılanan Kullanım Kolaylığı, Kullanıma Karşı Tutum üzerinde pozitif etkiye sahiptir. (AKK → KKT)	Doğrulandı
<i>H(2)</i>	Algılanan Kullanışlılık, Kullanıma Karşı Tutum üzerinde pozitif etkiye sahiptir. (AK → KKT)	Doğrulandı
<i>H(3)</i>	Kullanıma Karşı Tutum, Davranışsal Niyet üzerinde pozitif etkiye sahiptir. (KKT → DN)	Doğrulandı
<i>H(4)</i>	Davranışsal Niyet, Gerçek Kullanım üzerinde pozitif etkiye sahiptir. (DN → GK)	Doğrulandı

Belirlenen dört hipotez üzerinde yapılan sonuçlara ilişkin Tablo 9 incelendiğinde; *H(1)* hipotezinin istatistiksel olarak anlamlı olduğu ve Algılanan Kullanım Kolaylığının, Kullanıma

Karşı Tutum üzerinde pozitif etkiye sahip olduğu sonucuna ulaşılmıştır. $H(2)$ hipotezi istatistiksel olarak anlamlı olduğu bulunmuş ve Algılanan Kullanışlılığın, Kullanıma Karşı Tutum üzerinde pozitif etkiye sahip olduğu görülmüştür. $H(3)$ hipotezi istatistiksel olarak anlamlı ve Kullanıma Karşı Tutumun, e-Nabız Davranış Niyet üzerinde pozitif etkisi vardır. $H(4)$ hipotezi ise diğerleri gibi istatistiksel olarak anlamlı olduğu ve e-Nabız Davranışsal Niyetin, Gerçek Kullanım üzerinde pozitif bir etkiye sahip olduğu tespit edilmiştir.

Araştırma modeline ilişkin elde edilen yapısal eşitlikleri Tablo 10’da gösterilmiştir.

Tablo 10. Yapısal Modele İlişkin Eşitlikler

Yapısal Eşitlikler	
$KKT = 0.450 \times AKK + 0.514 \times AK$	$R^2 = 0.931$
$DN = 0.955 \times KKT$	$R^2 = 0.912$
$GK = 0.955 \times DN$	$R^2 = 0.516$

6. SONUÇ VE ÖNERİLER

Bu tez çalışmasında Davis tarafından önerilen klasik TKM modelinin içerdiği, e-nabız uygulamasına ilişkin doktorların davranışını belirleyen, niyet, tutum, algılanılan kullanılışlılık ve algılanan kullanım kolaylığı faktörlerinin model üzerindeki etkilerini göstermek ve Türkiye’de e-nabız uygulaması için yapısal bir model oluşturulmaya çalışıldı. Çalışmada test edilen 4 araştırma hipotezinin tamamı kabul edilmiş ve farklı TKM modellerinin kullanıldığı araştırma sonuçları ile uyum içinde olduğu görülmüştür.

Bu çalışmada YEM’in yapısı, matematiksel gösterimi, çok değişkenli istatistiksel yöntemlerle benzer ve farklı durumları üzerinde duruldu. Bu nedenle daha çok psikoloji ve ekonomi alanında tercih edilmeye devam etmektedir. YEM yöntemini uygulamak için birçok paket program bulunmaktadır. Programların kullanımının kolay, görsel ara yüzlerinden tutun sonuçların yorumlanabilirliğine kadar araştırmacıya avantajlar sağlaması YEM’in yaygınlaşmasına katkı sağlamaktadır

Son zamanlarda ülkemizde sağlık alanında büyük yatırımlar yapılmış ve şehir hastaneleri kurulmuştur. Uygulama için 14 Mart 2019 tarihinde Ankara’da açılmış Avrupa’nın en büyük hastanesi olan Bilkent Şehir Hastanesi seçilerek ve Sağlık Bakanlığından gerekli izinler (31/05/2019 tarihli ve 5823 sayılı onay ile 31/05/2019 tarihli ve 957 sayılı onay) alınarak çalışma gerçekleştirilmiştir. Çalışmada bir bilgi teknolojisi uygulaması olan e-Nabız sistemi ele alınmıştır. e-Nabız sisteminin uygulanmasını test etmek için TKM modelinden yararlanılmıştır.

e-Nabız sisteminin Bilkent Şehir Hastanesi doktorları tarafından kullanımına yönelik sonuçlar YEM yöntemi ile analiz edilmiştir. Çalışmada orijinal TKM modeli (Davis, 1989) dikkate alınarak dört temel boyutun birbirleri ile arasındaki etkiler incelenmiş ve bu boyutlarla ilgili hipotezler test edilmiştir.

YEM analizi yapılırken öncelikle ölçüm modeli test edilmiştir. Ölçme modelinde, uyum iyiliği indeksleri istenilen şartlar altında gerekli uyumu gösterdiği tespit edildikten sonra yapısal model uygulanmıştır.

Araştırmada test edilen ilk hipotez olan “ $H(1)$: Algılanan Kullanım Kolaylığının, Kullanıma Karşı Tutum üzerinde pozitif etkiye sahiptir” (KKT→AKK: $\gamma = 0.450$, t değeri = 11.656, $p < 0.05$). Bu hipotez YEM analiz sonuçları tarafından kabul edilmiştir. e-Nabız sisteminde Algılanan Kullanım Kolaylığının, Kullanıma Karşı Tutum üzerinde olumlu bir etkisi bulunmaktadır. Test edilen ikinci hipotezde “ $H(2)$: Algılanan Kullanışlılığın, Kullanıma Karşı Tutum üzerinde pozitif etkiye sahiptir”. (KKT→AK: $\gamma = 0.514$, t değeri = 11.648, $p < 0.05$). Bu hipotez YEM analiz sonuçları tarafından kabul edilmiştir. e-Nabız sisteminde Algılanan Kullanışlılığın, Kullanıma Karşı Tutum üzerinde olumlu bir etkisi bulunmaktadır. Test edilen üçüncü hipotezde “ $H(3)$: Kullanıma Karşı Tutumun, Davranışsal Niyet üzerinde pozitif etkiye sahiptir” (DN→KKT: $\gamma = 0.955$, t değeri = 11.676, $p < 0.05$). Bu hipotez YEM analiz sonuçları tarafından kabul edilmiştir. e-Nabız sisteminde Kullanıma Karşı Tutumun, Davranışsal Niyet üzerinde olumlu bir etkisi bulunmaktadır. Test edilen dördüncü ve son hipotezde “ $H(4)$: Davranışsal Niyetin, Gerçek Kullanım üzerinde pozitif etkiye sahiptir” (GK→DN: $\gamma = 0.718$, t değeri = 9.495, $p < 0.05$). Bu hipotez YEM analiz sonuçları tarafından kabul edilmiştir. e-Nabız sisteminde Davranışsal Niyetin, Gerçek Kullanım üzerinde olumlu bir etkisi olduğu sonucuna varılmıştır. Sonuç olarak, çalışma için test edilen dört araştırma hipotezinin tamamı kabul edilmiştir. Bu çalışma ile Ankara Şehir Hastanesi personeline (Pratisyen hekim, Asistan, Uzman hekim ve diğerleri) uygulandığından çalışmadaki çıkarsamalar bu hastaneye benzer özelliklere sahip Türkiye’de faaliyet gösteren diğer hastane personelleri için de uygulanabilir.

KAYNAKLAR

Abdullah, F., Ward, R. 2016. Developing a General Extended Technology Acceptance Model for E-Learning (GETAMEL) by analyzing commonly used external factors. *Computers in Human Behavior*, 56, 238-256.

Altındag, I., & Genc, A. (2015). Bayesian nonlinear structural equation modeling. *Journal of Selcuk University Natural and Applied Science*, 4(1), 174-192.

Altındağ, İ. (2017). Application of Bayesian Nonlinear Structural Equation Modeling for Exploring Relationships on Residential Satisfaction in Turkey. *International Journal of Sciences: Basic and Applied Research (IJSBAR)*, (36), 132–149.

Anderson, J. C., & Gerbing, D. W., 1988, *Structural Equation Modeling in Practice: A Review*. by the American Psychological Association, 411-423.

Bayram, N., 2013 *Yapısal Eşitlik Modellemesine Giriş Amos Uygulamaları*, Bursa: Ezgi Kitapevi.

Binyamin, S. S., Rutter, M. J., Smith, S. 2019. Extending the Technology Acceptance Model to Understand Students' use of Learning Management Systems in Saudi Higher Education. *International Journal of Emerging Technologies in Learning*, 14(3).

Büyüköztürk, Ş., Kılıç Çakmak, E., Akgün, Ö. E., Karadeniz, Ş., & Demirel, F. (2018). *Eğitimde bilimsel araştırma yöntemleri*. Ankara: Pegem Akademi.

Chen, C. F., Xu, X., Arpan, L. 2017. Between the technology acceptance model and sustainable energy technology acceptance model: Investigating smart meter acceptance in the United States. *Energy research & social science*, 25, 93-104.

Civelek, M. E., 2018, *Essentials of Structural Equation Modeling*. Lincoln: Zea Books.

Çelik H., E., Yılmaz, V., Pazarlıoğlu, V., 2010. Technology Acceptance Model and an Application, *Finans Politik & Ekonomik Yorumlar*, Vol. 47, No:540.

Çelik, H. E., 2009, Yapısal Eşitlik Modellemesi ve Bir Uygulama: Genişletilmiş Online Alışveriş Kabul Modeli, Doktora Tezi. Eskişehir Osmangazi Üniversitesi Fen Bilimleri Enstitüsü, Eskişehir.

Davis, F.D.; 1986. A technology acceptance model for empirically testing new end-user information systems: theory and results, PhD dissertation, Massachusetts Institute of Technology, Cambridge, MA.

Davis, F. D., 1989, Perceived Usefulness, Perceived Ease of Use, and User Acceptance of Information Technology, USA: Management Information Systems Research Center, University of Minnesota.

Dumpit, D. Z., Fernandez, C. J. 2017. Analysis of the use of social media in Higher Education Institutions (HEIs) using the Technology Acceptance Model. *International Journal of Educational Technology in Higher Education*, 14(1), 5.

Dutot, V., Bhatiasevi, V., & Bellallahom, N. (2019). Applying the technology acceptance model in a three-countries study of smartwatch adoption. *The Journal of High Technology Management Research*, 30(1), 1-14.

Hair, J. F., Black, W. C., Babin, B. J., Anderson, R. E., 2014, *Multivariate Data Analysis*. Edinburg: Pearson.

Hoyle, R. H., 1995, *Structural Equation Modeling Concepts, Issues, An Applications*. London: SAGE.

Huchting, K., Lac, A., & LaBrie, J. W., 2008, An application of the Theory of Planned Behavior to sorority alcohol consumption, Los Angeles-USA: Sciencedirect.

Kalyoncuoğlu, S. 2018. Tüketicilerin online alışverişlerindeki sanal kart kullanımlarının teknoloji kabul modeli ile incelenmesi. *Afyon Kocatepe Üniversitesi, Sosyal Bilimler Dergisi*, 20(2), 193-213.

Min, S., So, K. K. F., & Jeong, M. (2019). Consumer adoption of the Uber mobile application: Insights from diffusion of innovation theory and technology acceptance model. *Journal of Travel & Tourism Marketing*, 36(7), 770-783.

Rafique, H., Almagrabi, A. O., Shamim, A., Anwar, F., & Bashir, A. K. (2020). Investigating the acceptance of mobile library applications with an extended technology acceptance model (TAM). *Computers & Education*, 145, 103732.

Raykov, T., & Marcoulides, G. A., 2006, *A First Course in Structural Equation Modeling*, London: Lawrence Erlbaum Associates.

Revythi, A., & Tselios, N. (2019). Extension of Technology Acceptance Model by using System Usability Scale to assess behavioral intention to use e-learning. *Education and Information technologies*, 24(4), 2341-2355.

Taherdoost, H. 2018. A review of technology acceptance and adoption models and theories. *Procedia Manufacturing* 2018, 22, 960-967.

To, W. M., Tang, M. N. 2019. Computer-based course evaluation: an extended technology acceptance model. *Educational Studies*, 45(2), 131-144.

Üzümcü S. 2020. Yapısal eşitlik modellemesi ve bir uygulama, Necmettin Erbakan Üniversitesi, Fen Bilimleri Enstitüsü, Konya.

Walker, Z., Kho, H. H., Tan, D., & Lim, N. (2020). Practicum teachers' use of mobile technology as measured by the technology acceptance model. *Asia Pacific Journal of Education*, 40(2), 230-246.

**HAZIR GIYİM SEKTÖRÜ DENİM (JEAN) KATEGORİSİNDE ÜRÜN YAŞAM
DÖNGÜSÜNÜ KAPSAYAN TÜM SÜREÇLERDE UYGULANABİLİR YEŞİL İŞ
STRATEJİLERİ**

Yasemin Serhatlı
İstanbul Üniversitesi

Özet

Tarihe tanıklık ettiğimiz bu Covid-19 pandemi günleri, yeşil ürün, üretim, sürdürülebilirlik konularında toplumun her kesimine önemli ölçüde farkındalık kazandıracaktır. Artan bu farkındalığın oluşturacağı baskı ile yeşil kültürü benimseyenlerin sergilediği sistem yaklaşımı daha geniş kitlelerin gündemine girecek ve bunun sonucunda tüketicilerde daha az tüketim, daha bilinçli satın alma, gerekli olmadıkça yenilerini almama gibi davranış kaslarını geliştirecektir. (Yeşil kültürü benimseyenlerin sistem yaklaşımı; 3R+1 Reduce/Azalt, Reuse/Yeniden Kullan, Recycle/Geri Kazan, Refuse/İhtiyaç Değilse Reddet) Bu değişimden en çok çevre ve ihtiyaç tatmininden beslenen ekonomik iktisadi sistem etkilenecektir. Değişen tüketici beklentilerine göre yeni yaklaşımlar geliştirmek zorunda kalacak olan şirketler, değer üretmeye devam ederken çevreye verdikleri zararı minimize etmeye hatta mümkünse sıfırlamaya zorlanacak, kârlarını yeşil iş modelleri geliştirerek korumaya çabalayacaklardır. Şüphesiz bu dengeyi ilk kuran şirketler, pazarda lider olma şansını geçici süreliğine de olsa elde etme fırsatı yakalayacaklardır.

Denim kategorisi, giyim ihtiyacının tatmininde her döneme ve her yaştaki tüketiciye hitap eden önemli bir yere sahiptir. Günümüzde yeni üretim teknolojilerinin kullanımıyla hazır giyim trendleri rahatlık ve hızlı moda eksenlerinde yeniden şekillenmiş, tüketim katlanarak artmıştır. Bu nedenle artan enerji ihtiyacı ve tüketilen doğal kaynakların çevresel etkisi göz önünde bulundurularak tüm süreçlerin ekolojik bakış açısıyla yeniden yapılandırılması gerekli hale gelmiştir.

Tasarım sürecinde hammadde seçiminde “su ayak izi” miktarı yüksek olan pamukla birlikte doğa dostu hammaddelere yönelmek, denim kumaşının yıkama reçetelerinde çevre dostu kimyasalları tercih etmek ve bu kimyasalları mümkün olduğunca az kullanmak, e-flow teknolojisiyle üretim sürecinde kullanılan suyun, enerjinin ve kimyasalın birim tüketim miktarını azaltmak, işletmenin ihtiyacı olan enerjiyi fosil yakıtlar yerine güneş, rüzgar, hidroelektrik gibi yenilenebilir enerji kaynaklarından temin etmek, üretimde çıkan atıkları bertaraf edecek ve hatta işletmeye enerji olarak geri kazandıracak arıtma sistemlerini kurmak, konfeksiyon sürecinde kuru işlemlerde lazer ile yıpratma veya sprey ile bıyık yapma, ıslak işlemlerde ise ozon ile zemin açma/ağartma yapmak. Bunlara ek olarak tedarik, lojistik, satış ve hatta satış sonrası süreçleri de önemli yeşil iş fırsatları barındırmaktadır. Tedarik zinciri stratejisini kurarken en az “karbon ayak izi” oluşturacak bölgelerin/ülkelerin seçilmesi, ürünlerin büyük gruplar halinde taşınması, taşıma için çevre dostu yakıtların ve motorların kullanılması, paketlemenin minimum atık çıkartacak şekilde yapılması yeşil iş stratejilerine verilebilecek örneklerdir. Satış sürecinde ise mağazaların aydınlatılmasında gün ışığının verimli kullanımı ve ortam ölçümü yapılarak otomatik çalışan akıllı aydınlatma ve iklimlendirme sistemlerinin kullanılması yeşil uygulamalara örnek verilebilir. Satış sonrası süreçte denim ömrünü uzatacak yıkama talimatları satış esnasında son tüketiciye anlatılarak denim kumaşının karakteristik özelliği gereği seyrek yıkanması, her giyim sonrasında havalandırılması ve mümkünse bir gün dinlendirilerek giyilmesi gerekliliği tüketiciye

hatırlatılabilir. Böylece nihai kullanıcı da yeşil iş stratejileri ekosistemine dahil edilerek etki alanı genişletilebilir.

Bu çalışmanın amacı; daha yaşanılabilir bir dünya için giyim ihtiyacının tatmininde denim kategorisi özelinde ürün yaşam döngüsünü kapsayan tüm süreçlerde uygulanabilecek yeşil iş stratejileriyle üreticiden son tüketiciye tüm paydaşları kapsayan bir ekosistem kurmanın, basit ama etkili yollarını sunmaktır.

Anahtar Kelimeler: Denim, Yeşil Tasarım, Yeşil Ürün, Yeşil Üretim.

GREEN BUSINESS STRATEGIES THAT CAN BE APPLIED IN ALL PROCESSES
INCLUDING THE PRODUCT LIFE CYCLE IN DENIM (JEAN) READY-MADE
GARMENT SECTOR

Abstract

These Covid-19 pandemic days, which we have been witnessed, will provide significant awareness to all segments of the society on green product, production and sustainability. With the help of this increasing awareness, the system approach displayed by institutions that adopt green culture will be on the agenda of larger masses and as a result, it will develop attitudes such as less consumption, more conscious purchasing, and not taking new ones unless necessary. (3R + 1:Reduce, Reuse, Recycle, Refuse). The economic system fed by the environment and need satisfaction will be affected the most from this change. Companies, which will have to develop new approaches according to changing consumer expectations, will be forced to minimize or even reset the damage they give to the environment while continuing to create value, and try to protect their profits by developing green business models. Undoubtedly, the companies that set this balance first will have the opportunity to achieve the chance of being a leader in the market temporarily.

Denim category has an important place in satisfying the need of clothing for every period and for consumers of all ages. Nowadays, with the use of new production technologies, ready-made garment trends have been reshaped in terms of comfort and fast fashion and consumption has increased exponentially. For this reason, considering the increasing energy need and the environmental impact of the natural resources consumed, it has become necessary to restructure all processes with an ecological perspective.

Green applications can be made to reduce the use of chemicals and water in the production process. For example, when selecting raw materials in the design process, to tend towards nature-friendly materials in addition cotton which has high amount of “water footprint”; to choose environmentally friendly chemicals in washing recipes of denim fabric and using these as little as possible; to reduce the unit consumption amount of water, energy and chemical used in the production process using e-flow technology; to supply the energy needed by the facility from renewable energy sources such as solar, wind, hydroelectricity instead of fossil fuels; to establish clean-up systems that will eliminate waste in production and even bring them back to the facility as energy; using laser-abrading or making whisker effect with spray in dry production process and bleaching with ozone in wet production process. Examples of these are the selection of regions / countries that will create the least “carbon footprint”, transportation of products in large groups, the use of environmentally friendly fuels and engines in transportation, and packaging of products to minimize the amount of package waste. Examples of green applications that can be made during the sales process are the

**MAS INTERNATIONAL EUROPEAN CONFERENCE ON
MATHEMATICS-ENGINEERING-NATURAL & MEDICAL SCIENCES-XII**

efficient use of daylight in the lighting of the stores, the use of smart lighting and air conditioning systems that automatically measure the environmental conditions. In the after-sales process, washing instructions that will prolong the life of denim should be explained to the end-consumer and it should be reminded that due to the characteristic feature of denim fabric, it should be rarely washed, ventilated after wearing and if possible. it should be worn at intervals of one day. Thus, the influence area can be expanded by including the end-user in the green business strategies ecosystem.

The purpose of this study; to provide a simple but effective ways of establishing an ecosystem that covers all stakeholders from the manufacturer to the end-consumer, with green business, strategies that can be applied in all processes covering the product life cycle in denim category in order to satisfy the need for clothing for a more livable world.

Keywords: Denim, Green Design, Green Product, Green Production

**İNSAN KAYNAKLARI YÖNETİMİ BAKIŞ AÇISIYLA SAĞLIK
ÇALIŞANLARINDA ALGILANAN İŞ KONTROLÜ**

Prof. Dr. Şebnem ASLAN

Selcuk University

Asst. Prof. Demet AKARÇAY ULUTAŞ

KTO Karatay University

Özet

Çalışanların motivasyonlarını artırıcı yönleriyle özellikle sağlık sektöründe, insan kaynakları yönetimi daha farklı bir model ile karşımıza çıkmaktadır. Sağlık çalışanlarının ekip çalışmasının, kendi-kendine liderliğin olduğu bir çalışma sistemine sahip olduğu düşünüldüğünde, çalışanlardaki “algılanan kontrol algısının” önemi ortaya çıkmaktadır. Asıl motivasyonunu sağlık çalışanlarındaki algılanan kontrol algısının incelenmesi olan bu çalışmada, Algılanan Kontrol Algısı Ölçeğinin Türkçeye uyarlanması için analizler yürütülmüştür. Bunun için Frese vd. (1996) tarafından geliştirilen ölçüm aracı kullanılmış ve araştırma Konya ilinde dört farklı kamu hastanesinde çalışan 280 sağlık personeli arasında yürütülmüştür.

Yürütülen Doğrulamalı Faktör Analizi (DFA) sonuçlarına göre, Algılanan Kontrol Algısı Ölçeğinin 3 maddeden oluşan ve Türkçede geçerli yeni bir versiyonuna ulaşılmıştır. Bunun yanında, sağlık çalışanlarının algılanan iş kontrolü puanları ortalama puanın üzerinde tespit edilmiştir. Buna göre sağlık çalışanlarının çoğunlukla işlerine bütün olarak baktıklarında karar almalarına izin verildiğini, işlerini nasıl yapacaklarına karar verebildiklerini, işlerini kendi kendilerine planlayabildiklerini (örneğin material gibi) ve işleriyle ilgili düzenleme yapabileceklerini belirtmişlerdir.

Anahtar Kelimeler: Algılanan İş Kontrolü, İnsan Kaynakları Yönetimi, Sağlık Yönetimi

**PERCEIVED JOB CONTROL AMONG HEALTHCARE EMPLOYEES FROM THE
VIEW OF HUMAN RESOURCES MANAGEMENT**

Abstract

In terms of increasing the motivation of the employees, human resources management appears with a different model especially in the health sector. Considering that teamwork of healthcare workers has a self-leadership working system, the importance of “perceived control perception” in employees becomes apparent. In this study, whose main motivation was to examine the perceived control perception in healthcare workers, analyzes were conducted to adapt the Perceived Control Perception Scale to Turkish. For this, a measurement tool developed by Frese et al. (1996) was used and the research was carried out among 280 healthcare professionals working in four different public hospitals in Konya.

According to the Confirmatory Factor Analysis (CFA) results carried out, a new version of the Perceived Control Perception Scale consisting of 3 items and valid in Turkish was reached. In addition, perceived job control scores of healthcare professionals were determined above the average score. Accordingly, healthcare professionals are mostly allowed to make

decisions when they look at their jobs as a whole, they can decide how to do their work, they can plan their own jobs (such as material) and they can arrange their work.

Keywords: Perceived Job Control, Human Resource Management, Healthcare Management

1. INTRODUCTION

Human resources management practices are one of the most emphasized issues in recent years. The high variety of employment in the health sector is due to both the difference in health needs and the specialization areas required in the provision of health services. Looking at this variety from a wide window, it could be observed many institutions such as home healthcare services, outpatient care centers, physician offices and clinics, nursing and residential care facilities, hospitals and other ambulatory, and many different areas of expertise among them [1]. In addition, it will be useful to keep in mind that the way of providing health services can be more diversified depending on countries, regions, technological developments and opportunities, and that their area of expertise is narrowing, to frame human resources management in health institutions.

Basically, an organization needs to identify employee production as one of its main goals in order to be successful, and for this to give importance to employee skill development. In this sense, it is inevitable for human resources management to use the inputs in the ten specified areas in order to catch the effective workforce. These areas include establishment of a legal and ethical management system, job design, recruitment and selection, healthcare career opportunities, distribution of employee benefits, employee motivation, negotiations with organized labor, employee terminations, determination of emerging and future trends in health care and strategic planning [2].

It is stated that the human resource, which points to a key point in the effective delivery of health services, consists of individuals with teamwork and knowledge equipment and expertise in this field [3]. In addition, Kavuncubaşı (2000) expresses many features of the special structure of human resources in healthcare such as possessing a complex structure of health services, being variable according to many factors such as disease, patient's condition, treatment method, being urgent and non-delayed, and being difficult to measure the output obtained [4]. Expressing that the hospital environment, relations with colleagues and employee loyalty give an idea about the efficiency of human resources, Perçin (1999) stated that the universal characteristics that human resources should have in terms of quality service as reliability, enthusiasm, competence, accessibility, respect, communication, believability (accepted by others), security, physical appearance, understanding the service user [5].

In the light of this information, it can be stated that employees have a wide variety of roles and responsibilities in the delivery of health services that differ in their service structure. Although the value of specialization in the health sector is emphasized, it is seen that health outcomes can be obtained as a result of a teamwork. In this context, it can be emphasized that employees' self-control and decision-making, taking responsibility and initiative development are as important as the harmony in the team in increasing the successful outcomes in the health sector. From this point of view, in the following sections of this study, which focuses on the study of perceived job control for the development of human resources in health institutions,

the relationship between perceived job control and human resources management will be presented and information about the method and findings of the research will be presented.

1.1. Perceived Job Control and Human Research Management

The studies on human resource management in health institutions in Turkey mainly focused on the issues related with performance evaluation, personnel selection, career development and wage to improve business productivity by strengthening the motivation [3]. In addition, the work itself and its communication network and style provide an important point of view to human resources management, considering that the employee is effective in the continuity of the work [6].

It is seen that there have been some developments in the field of human resources management over the years. While traditional human resources are gaining a view that considers the demands of users and employees with a flexible structure, modern approach assigns the decision-making and responsibility to mid-level managers in the process. Another change is associated with the strategic planning of human resources management and it is aimed to ensure direct participation of employees in corporate goals and objectives [7, 8, 9]. In other words, considering the traditional understanding, it is stated that human resources management focuses on jobs that emphasize personnel management, such as personnel selection, recruitment, evaluation of employee performance, regulation of wages and payments of employees. However, it is noteworthy that human resources management has expanded in scope especially since 1990s [10]. In this context, there are important components that are handled in health institutions especially in the framework with human resources management, which are shaped depending on the expectations, goals and service structure of the institution. These components can be counted as employment, compensation and benefits, employee relations, training and development, labor relations, equal employment opportunity, security and safety [11]. The result of the study conducted by Reference [12] shows that it is a requirement to support the training of employees, career planning, to take care of the employee adding value to the institution, that is, to handle human resources in the context of strategic management.

Control evokes positive perceptions and feelings about the environment, so that perceived control can regulate relationships and interactions [13]. Perceived control indicates thoughts and believes that the factor is under control; also, this concept is considered as related with self-confidence, perceived support, that is to say high confidence in personal abilities and support reveal high perceived control [14]. This concept as an environment, which is controlled by the individual, is defined as a significant factor to copy with anxiety conditions [15]. Besides, it could be stated as a process that facilitates to advance cognitive attitudes in order to prevent adverse consequences [16]. Job control as a closer meaning to expressions below is described as work processes under control of employees and authority [17, 18].

Attributions, emotions, psychological constructs, learned helplessness, instability [19], behavioral intention [20] are many concepts, being used for explaining perceived control at workplace. Perceived control has an impact on individuals to provide self-regulation and wellbeing [21]. It could be also considered as a safeguard to promote well-being and autonomy [16]. According to results of Reference [13], low perceived control at workplace indicates low

employee performance ratings. When perceived control decreases, negative emotional consequences appear directly and indirectly [22]. However, individuals perceive job control intensively, their psychological and behavioral outcomes would be influenced positively in terms of overcoming traumatic or uncontrollable events [23]. From patient perspective, perceived control is also remarkable, since how control over diseases is effective, lower unpleasant influences of symptoms can be experienced [24]. As low perceived control is faced, threatening events generate anxious and avoidance behaviors, accordingly [15]. Job control can have both contributions and also adverse impacts at workplace such as that high levels of job control may cause high workload or misunderstanding between employees about freedom in decision making process [25].

Whereas higher control pertains, higher motivation factors can be experienced in order to response negative situations [21]. Therefore, supporting activities would be associated with employee perception of control over work environment positively [18]. Perceived control impacts also employee performance by moderating perceptions and assumptions [13]. Supporting job control and providing job resources for health employees have a key role in order to reduce burnout within the workplace [26]. Low control links with psychosocial wellness in workplace and accordingly also employees' coronary heart disease incidence [27]. As a result of Reference [28], conducted among anesthetists in United Kingdom, perceived control has also a relationship with intention to violate procedures in health institutions and neutral control believes of the respondents are associated with violating behaviors. Moreover, perceived control over withdrawal symptoms elicits self-efficacy and effective long-term treatment [29]. In the light of this review, the multiple role and effect of perceived job control on employees with especially sophisticated structure of healthcare services is observable. In this way, it can be said that the main focus of this study is that it seems important to answer the question about how healthcare professionals perceive control in their own work.

2. METHOD

In this section, information about research model, participants, measurement tool and data analysis are presented.

2.1. Research Model

In this study, the validity and reliability of the job control scale was analyzed in healthcare employees. Besides, average scores of perceived job control of healthcare employees were calculated as to the data of the research. The data was evaluated by the packet programme of SPSS 13.0. In order to examine the content validity of this measures, we performed confirmatory factor analysis (CFA) with LISREL VIII.

2.2. Participants

The universe of the research has been determined as Konya province. Turkey's largest four hospitals (two university hospitals and two research hospitals) in Konya were included in the study as sample. All personnel at these hospitals working at the time of data collection were contacted, and the study was conducted with 280 employees, who are volunteers to participate, selected via stratified sampling method as 70 employees from 4 hospitals. The study was

conducted on location with the consensus of the hospital administration. The survey questionnaires were distributed to each department, the participants were provided with written informed consent form, and they were informed that their involvement was voluntary and confidentiality and anonymity of the participants in this study were guaranteed. As a result, 280 questionnaires were analyzed in this study.

It was found that age average of the participants is 30.05, SD:7.1, average of professional working years is 5.02, SD:5.17. Participants have been composed several professions such as allied health personnel such as nurse, midwife, health officer, laboratory assistant (59.7% n=167), qualified staff such as physician, dietitian, psychologist (10.8%, n=30) and administrative personnel (29.5%, n=83). Most of them have an education with associate degree (41.8%, n=117), are women (53.9%, n=151), and married (54.6%, n=153).

2.3. Measurement Tool

The job control scale developed by Frese et al. (1996) was used within this study. The original version of the scale developed by Frese et al. (1996) included 7 items, however a new version of it is formed with 4 items by Reference [30]. This scale is constituted by 4 items. This version was used for model testing within this study. It was rated with 5- point Likert (1=very few, 5=too much). While the last version of the scale is found valid and reliable, convergent validity score was calculated as .78.

2.4. Data analysis

In accordance with the validation procedures, the scale was translated from English to Turkish and from Turkish to English by the academics of the related field and performed exploratory factor analysis (EFA) via Statistical Package for the Social Sciences (SPSS) and confirmatory factor analysis (CFA) [31] via LISREL VIII package program by applying on the pilot and the original sample. While EFA was performed to test the construct validity of the scale, CFA was performed for validity. Goodness of fit of the scales was investigated in confirmatory factor analysis.

In evaluating the model suitability, χ^2 / df ratio, RMSEA value, GFI, NFI, NNFI, AGFI, CFI Goodness-of-Fit indices are investigated. A χ^2 / df ratio of <5 is acceptable, a <2 indicates a good fit level [32]. The RMSEA value shows a good fit of $RMSEA \leq 0.05$, $0.05 < RMSEA < 0.08$ shows an adequate fit, $0.08 < RMSEA < 0.10$ indicates a mediocre fit, and $0.10 < RMSEA$ indicates that the model cannot be accepted [33, 34]. The NFI value shows a good fit of $0.95 \leq NFI \leq 1.00$, an adequate fit of $0.90 \leq NFI < 0.95$. The fit index for the CFI value indicates that $0.97 \leq CFI \leq 1.00$ indicates a good fit, whereas $0.95 \leq CFI < 0.97$ indicates acceptable fit [35]. The good fit value for the GFI value is $0.95 \leq GFI < 1.00$, whereas $0.95 \leq GFI < 1.00$ is an indication of an acceptable fit [31, 35]. While AGFI has good fit between $0.90 \leq AGFI \leq 1.00$, SRMR (Standardized root mean square residual) should be less than .05 [33].

Cronbach Alpha coefficient was used to research the reliability of the scales. Ultimately, mean and standard deviation values of the scale items were calculated. Item-total correlation was examined for the relation between each items and general scale score. High correlation value with total scale score is an indicator of measuring degree of desired item for desired variable and it also demonstrates item reliability. Item-total correlations show the strength of

the relationship and take a value between +1.0 and -1.0 [36]. Lastly, *t* value in confirmatory factor analysis should be significant [35, 37].

3. FINDINGS

Validity of the scales was analyzed with CFA and Cronbach Alpha coefficient was used to research the reliability of the scales. Related results are shown in Table 1.

Table 1: Items loadings from confirmatory factor analyses for job control scale

Items*	EFA	(CFA) Factor Loadings	(CFA)*	t- Value	Mean	SDF	Item-Total Correlations
Job Control		Cronbach Alpha					
1.	.82	.68	.58	9.94	2.60	1.05	.782**
2.	.81	.80	.90	15.30	3.07	1.04	.877**
3.	.81	.78	.76	13.06	3.31	1.05	.848**
4.	.71	.62 ^a					

Note: Standardized item loadings reported for CFA. $p < .001$ for all loadings. **Correlation is significant at the 0.01 level (2-tailed).

^a The removed item that has correction indices. * The items correspond to the items of the study of Reference [30].

Goodness-of-Fit Statistics: $\chi^2/df = 71.55/2 = 35.77$, NFI=.84, NNFI=.53, CFI=.84, AGFI=.47, GFI=.89, RMSEA=.34; Goodness-of-Fit Statistics*: $\chi^2/df = 0/1 = 0$, RMSEA=.00

As a result of the conducted EFA, it was seen that the data adapted to the one-factor structure of the scale. As a result of the analysis, it was determined that the factor loads of the scale, which reached a single-dimensional structure, were between .71 and .82. The Keiser-Meyer-Olkin analysis of the scale was found as .69 and Barlett's test was significant ($p = .000$). The item-total correlations for scale items range from .78 with .88 as seen in the table 1. According to this, scale shows a good level of internal consistency. The model with 3 items was confirmed with the CFA that performed after these analyzes. The goodness-of-fit measures were not reached for initial version of job control scale (Goodness-of-Fit Statistics: $\chi^2/df = 71.55/2 = 35.77$, NFI=.84, NNFI=.53, CFI=.84, AGFI=.47, GFI=.89, RMSEA=.34). 4th item that show correction indices has been removed from the scale and the goodness-of-fit measures were reached (Goodness-of-Fit Statistics*: $\chi^2/df = 0/1 = 0$, RMSEA=.00). As a result of CFA analysis, the new version job control scale has been reached for Turkey its valid form consisting of 3 questions.

Tablo 2. Mean and Standard Deviation of Perceived Job Control

Items*	1.	2	3.	Perceived Job Control
Mean	2.60	3.27	3.31	3.08
Std. Deviation	1.053	1.042	1.057	.920

* The items correspond to the items of the study of Reference [30].

In the study, perceived job control scores of healthcare employees were found above the average score. The average score is over 2.5. According to this, healthcare employees are mostly allowed to make decisions when they look at their jobs as a whole ($\bar{x} : 2.6$) and they also stated to be able to decide how to do their work ($\bar{x} : 3.27$). As another result, the

participants expressed their autonomy about planning and arranging their own work (such as material) by self (\bar{x} : 3.31).

4. DISCUSSION

In this study, perceived job control among healthcare employees was investigated, and the validity and reliability of job control scale for adapting to Turkish were performed. At the end of the research, a valid and reliable new version of job control scale that consisted of 3 items was reached. Besides, perceived job control scores of healthcare employees were found above the average score within the study. The average score is over 2.5. According to this, healthcare employees are mostly allowed to make decisions when they look at their jobs as a whole (\bar{x} : 2.6) and they also stated to be able to decide how to do their work (\bar{x} : 3.27). As another result, the participants expressed their autonomy about planning and arranging their own work (such as material) by self (\bar{x} : 3.31).

Expressing the main focus of human resources management as “investment in human, investment in the future”, Reference [38] provides that employees could create an important opportunity for companies due to gain competitive advantage by supporting knowledge and especially the necessary flexibility to develop initiative skills via professional training. At this point, the value of the relationship between manager and employees can come to the fore. As stated in the Society for Human Resource Management (2010) report “What Senior HR Leaders Need to Know: Perspectives from the United States, Canada, India, the Middle East and North Africa”, the human resource leadership has main competencies to contribute for improving the performance of the organization by encouraging employees.

Some of these competencies can be counted as business knowledge, developing others, credibility, analytical thinking, cross-cultural intelligence, effective communication, ethical behavior, flexibility, strategic thinking, integrity, influencing others [39]. Conversely, trying to manage human resources with oppressive and unkind behavior points out negative outcomes in terms of work efficiency. In the study conducted by Reference [40], it is seen that the perception of nurses towards the negative psychological climate, bad attitudes and behaviors caused by the dynamics of the human resource may cause them to develop similar aggressive behaviors, but social support is an important factor in reducing the impact of this negative weather. From this point of view, it can be interpreted that the employees' feelings that they are working in an autonomous and flexible environment rather than an oppressive working environment while conducting their business is also valuable in terms of output quality and efficiency, especially in healthcare institutions that are in constant contact with service users. According to the results of this study, where the employees' perceptions about their work autonomy, initiative, taking responsibility and decision making are important, it is recommended to work with the subjects such as organizational culture, productivity and compatibility in teamwork.

REFERENCES

- [1] Flynn, W. J., Mathis, R. L., Jackson, J. H., & Valentine, S. R. (2014). *Healthcare Human Resource Management* (3rd Edition ed.). Boston: Cengage Learning.
- [2] Niles, N. J. (2013). *Basic Concepts of Health Care Human Resource Management*. Burlington: Jones & Bartlett Learning.
- [3] Erigüç, G., Şahinbaş, F., Demirci, Ş., & Şantaş, G. (2018). Sağlık kurumlarında insan kaynakları alanında yapılan çalışmaların incelenmesi. *AİBÜ Sosyal Bilimler Enstitüsü Dergisi*, 18(1), 49-64.
- [4] Sünter, M. (2019). Sağlık kurumlarından insan kaynakları yönetiminin önemi. *Verimlilik Dergisi*(3), 143-160.
- [5] Marşap, A., Akalp, G., & Yeniman, E. (2010). Sağlık İşletmelerinde İnsan kaynağının kurumsal bilgi güvenliği kültürü gelişimi *Bilişim Teknolojileri Dergisi*, 3(1), 31-40.
- [6] Tütüncü, Ö., & Demir, M. (2003). Konaklama işletmelerinde insan kaynakları kapsamında işgücü devir hızının analizi ve Muğla bölgesi örneği. *Dokuz Eylül Üniversitesi Sosyal Bilimler Enstitüsü Dergisi*, 5(2), 146-169.
- [7] Chiavenato, I. (2001). Advances and challenges in human resource management in the new millennium. *Public Personnel Management*, 30(1), 17-26.
- [8] Çoşkun, S., & Kayar, N. (2011). Stratejik insan kaynakları yönetimi: kamuda uygulamalar ve Türk kamu yönetimi için öneriler. *The International Journal of Economic and Social Research*, 7(7), 69-95.
- [9] Shim, D.-S. (2001). REcent human resources development in OECD member countries. *Public Personnel Management*, 30(3), 323-347.
- [10] Fottler, M. D., Khatri, N., & Savage, G. T. (2010). *Strategic Human Resource Management in Health Care*. Bingley: Emerald Group Publishing Limited.
- [11] Fallon, L. F., & McConnell, C. R. (2014). *Human Resource Management in Health Care: Principles and Practice*. Burlington: Jones & Bartlett Learning.
- [12] Soysal, A., & Kılınç, E. (2016). İşletmelerde stratejik insan kaynakları yönetimi sürecinde performans değerlendirme ve kariyer yönetimi uygulamaları. *Selçuk Üniversitesi İktisadi ve İdari Bilimler Fakültesi Sosyal Ekonomik Araştırmalar Dergisi*, 16(31), 325-347.
- [13] Noone, B. M. (2008). Customer perceived control and the moderating effect of restaurant type on evaluations of restaurant employee performance. *International Journal of Hospitality Management*, 27(1), 23-29. doi: 10.1016/j.ijhm.2007.07.002.
- [14] Claassens, L., Widdershoven, G. A., Van Rhijn, S. C., Van Nes, F., Broese van Groenou, M. I., Deeg, D. J. H., & Huisman, M. (2014). Perceived control in health care: A conceptual model based on experiences of frail older adults. *Journal of Aging Studies*, 31, 159-170. doi: 10.1016/j.jaging.2014.09.008.
- [15] Raines, A. M., Oglesby, M. E., Unruh, A. S., Capron, D. W., & Schmidt, N. B. (2014). Perceived control: A general psychological vulnerability factor for hoarding. *Personality and Individual Differences*, 56, 175-179. doi: 10.1016/j.paid.2013.09.005.
- [16] Fishman, E. J. (2014). Toward a theory of the perceived control of the attribution process. *Educational Research Review*, 13, 1-16. doi: 10.1016/j.edurev.2014.07.001.

**MAS INTERNATIONAL EUROPEAN CONFERENCE ON
MATHEMATICS-ENGINEERING-NATURAL & MEDICAL SCIENCES-XII**

- [17] Tromp, D. M., & Blomme, R. J. (2012). The Effect of Effort Expenditure, Job Control and Work-Home Arrangements on Negative Work-Home Interference in the Hospitality Industry. *International Journal of Hospitality Management*, 31, 1213–1221.
- [18] Chiang, F. F. T., Birtch, T. A., & Kwan, H. K. (2010). The Moderating Roles of Job Control and Work-Life Balance Practice on Employee Stress in the Hotel and Catering Industry. *International Journal of Hospitality Management*, 29, 25–32.
- [19] Stupnisky, R. H., Perry, R. P., Hall, N. C., & Guay, F. (2012). Examining perceived control level and instability as predictors of first-year college students' academic achievement. *Contemporary Educational Psychology*, 37(2), 81-90. doi: 10.1016/j.cedpsych.2012.01.001.
- [20] Wang, E. S.-T. (2014). Perceived control and gender difference on the relationship between trialability and intent to play new online games. *Computers in Human Behavior*, 30, 315-320. doi: 10.1016/j.chb.2013.09.016.
- [21] Heidemeier, H., & Göritz, A. S. (2013). Perceived control in low-control circumstances: Control beliefs predict a greater decrease in life satisfaction following job loss. *Journal of Research in Personality*, 47(1), 52-56. doi: 10.1016/j.jrp.2012.11.002.
- [22] Uhrich, S. (2011). Explaining non-linear customer density effects on shoppers' emotions and behavioral intentions in a retail context: The mediating role of perceived control. *Journal of Retailing and Consumer Services*, 18(5), 405-413. doi: 10.1016/j.jretconser.2011.06.002.
- [23] Frazier, P., Berman, M., & Steward, J. (2002). Perceived Control and Posttraumatic Stress: A Temporal Model. *Applied & Preventive Psychology*, 10, 207-223.
- [24] Janssens, T., Verleden, G., De Peuter, S., Petersen, S., & Van den Bergh, O. (2011). The influence of fear of symptoms and perceived control on asthma symptom perception. *J Psychosom Res*, 71(3), 154-159. doi: 10.1016/j.jpsychores.2011.04.005.
- [25] Kubicek, B., Korunka, C., & Tement, S. (2014). Too Much Job Control? Two Studies on Curvilinear Relations between Job Control and Eldercare Workers' Well-Being. *International Journal of Nursing Studies*, Article in Press, 1-10.
- [26] Portoghes, I., Galletta, M., Coppola, R. C., Finco, G., & Campagna, M. (2014). Burnout and Workload Among Health Care Workers: The Moderating Role of Job Control. *Safety and Health at Work*, 5, 152-157.
- [27] Marmot, M. G., Bosma, H., Hemingway, H., Brunner, E., & Stansfeld, S. (1997). Contribution of Job Control and Other Risk Factors to Social Variations in Coronary Heart Disease Incidence. *The Lancet*, 350(26), 235-239.
- [28] Phipps, D. L., Beatty, P. C. W., & Parker, D. (2015). Standard deviation? The role of perceived behavioural control in procedural violations. *Safety Science*, 72, 66-74. doi: 10.1016/j.ssci.2014.08.009.
- [29] Schnoll, R. A., Martinez, E., Tatum, K. L., Glass, M., Bernath, A., Ferris, D., & Reynolds, P. (2011). Increased self-efficacy to quit and perceived control over withdrawal symptoms predict smoking cessation following nicotine dependence treatment. *Addict Behav*, 36(1-2), 144-147. doi: 10.1016/j.addbeh.2010.08.024.
- [30] McCaughey, D. (2008). Workplace Safety, Job Stress, and Employee Outcomes: When Caning Compromises Personal Well-Being. The University of Manitoba, Asper School of Business, Kanada. Yayınlanmamış Doktora Tezi.

**MAS INTERNATIONAL EUROPEAN CONFERENCE ON
MATHEMATICS-ENGINEERING-NATURAL & MEDICAL SCIENCES-XII**

- [31] Jöreskog, K., Sörbom, D. (1993). Lisrel 8: the simplis command language. Lincolnwood, IL: Scientific Software International, Inc.
- [32] Li, S., Rao, S.S., Ragu-Nathan, T.S., Ragu-Nathan, B., (2005). Development and validation of a measurement instrument for studying supply chain management practices. *Journal of Operations Management*, 23(6), 618-641.
- [33] Schermelleh-Engel, K., Moosbrugger, H., Müller, H., (2003). Evaluating the fit of structural equa-equation models: Tests of significance and descriptive goodness-of-fit measures. *Methods of Psychological Research Online*, 8(2), 23-74.
- [34] MacCallum, R.C., Browne, M.W., Sugawara, H.M. (1996). Power analysis and determination of sample size for covariance structure modeling. *Psychological Methods*, 1(2), 130-49.
- [35] Schumacker, R.E., Lomax, R.G., (2010). A Beginner's Guide to Structural Equation Modeling. Taylor and Francis Group, London.
- [36] Büyüköztürk, Ş. Çokluk, Ö. & Köklü, N. (2012) Sosyal Bilimler için İstatistik. Pegem Akademi, 11.Baskı.
- [37] Hui, S. (2003) Revision of Genetic Regulatory Models Using Structural Equation Modeling/Path Analysis. Internet Address: <http://zencaroline.blogspot.com/2007/06/compositereliability.html>, Date of Access: 03.09.2010.
- [38] Özdemir, E., & Akpınar, A. T. (2002). Konaklama İşletmelerinde İnsan kaynakları yönetimi çerçevesinde Alanya'daki otel ve tatil köylerinde İnsan kaynakları profili *Kocaeli Üniversitesi Sosyal Bilimler Enstitüsü Dergisi*, 3(2), 85-105.
- [39] Pynes, J. E., & Lombardi, D. D. (2011). *Human Resources Management for Health Care Organizations: A Strategic Approach*. San Francisco: Jossey-Bass.
- [40] Taştan, S. B. (2014). İşyeri nezaketsizliğini öngören örgütsel ve durumsal önceller İle çalışanların davranışsal sonuçları arasındaki İlişkinin ve sosyopsikolojik kaynakların rolünün İncelenmesi: sağlık kurumlarında yapılan bir araştırma. "*İŞ, GÜÇ*" *Endüstri İlişkileri ve İnsan Kaynakları Dergisi*, 16(3), 62-75.

**ÖRGÜTSEL ERDEMLİLİK ÖLÇEĞİNİN TÜRKÇEYE UYARLANMASI:
GEÇERLİLİK VE GÜVENİRLİK ÇALIŞMASI**

Prof. Dr. Şebnem ASLAN

Selcuk University

Asst. Prof. Demet AKARÇAY ULUTAŞ

KTO Karatay University

Özet

Son yıllarda, örgütsel davranış alanındaki araştırmaların çalışanlarda görülen olumlu değişimlere yönelmesiyle farklı kavramların ortaya çıktığı görülmektedir. Bu kavramlardan biri olan örgütsel erdemliliğin çalışanların davranışlarına, örgütsel verimliliğe etkisi ilgi duyulan bir çalışma alanını oluşturmaktadır.

Bu bakış açısıyla örgütsel erdemliliğin ölçümlenerek somut bir şekilde ifade edilebilmesi için bir ölçüm aracının Türkçeye uyarlanması amacı taşıyan bu çalışmada, sağlık kurumları özelinde çalışanlar arasında bir araştırma yapılmıştır. Bu amaç ışığında, Türkiye'deki dört kamu hastanesinden rastgele örneklem yöntemiyle seçilen 300 sağlık çalışanı arasında yürütülen araştırmada, Cameron, Bright ve Caza (2004) tarafından geliştirilen Örgütsel Erdemlilik (Organizational Virtuousness) Ölçeği Türkçeye uyarlanmıştır. Yapılan Doğrulayıcı Faktör Analizi (DFA) sonuçlarına göre, 15 madde ve beş boyuttan oluşan ölçüm aracı geçerli bulunmuştur. Ölçüm aracının Cronbach Alpha Katsayısı ise .91 olarak hesaplanmıştır. Böylelikle, DFA ile modeli sınanan ölçüm aracının yüksek geçerlilikte ve güvenilirlikte olduğu söylenebilmektedir.

Anahtar Kelimeler: Örgütsel Erdemlilik, Örgütsel Davranış, Sağlık Çalışanları

**ADAPTATION OF ORGANIZATIONAL VIRTUOUSNESS SCALE TO TURKISH:
VALIDITY AND RELIABILITY STUDY**

Abstract

In recent years, it has been observed that different concepts have emerged as studies in the field of organizational behavior have turned towards positive changes in employees. The effect of organizational virtue, which is one of these concepts, on employees' behavior, organizational efficiency, constitutes an area of interest.

From this point of view, in this study, which aims to adapt a measurement tool to Turkish in order to be able to express organizational virtue by measuring it in a concrete way, a study was conducted among the employees working in healthcare institutions. In the light of this purpose, Cameron Bright and Jazz (2004) developed by Organizational virtuousness (Organizational Virtuousness) Scale adapted to Turkish in this research, which conducted among the selected 300 health care workers as randomly from four public hospitals in Turkey. According to the Confirmatory Factor Analysis (CFA) results, the measurement tool consisting of 15 items and five dimensions was found valid. Cronbach Alpha Coefficient of the measurement tool was calculated as .91. Thus, it can be said that the measurement tool, which model tested with DFA, has high validity and reliability.

Keywords: Organizational Virtuousness, Organizational Behavior, Healthcare Employees

1.INTRODUCTION

It is seen that the behavior patterns in organizations, the structure of human relations and the effects on organizational outcomes constitute the motivation of many studies. It is noteworthy that the literature created on organizational behavior focuses on positive behavior patterns and gains in individuals, namely positive growth, rather than being problem oriented. It seems useful to mention the assumptions of positive organizational scholarship and positive organizational psychology studies before explaining the concept of organizational virtue that can be evaluated in this context. The positive psychology approach brought to the field by Martin Seligman in 1998 focuses on the positive experiences of individuals such as happiness, pleasure, satisfaction, positive individual characteristics such as character, skills, interests, and positive institutions such as families, schools, businesses, communities [1]. From this perspective, by this approach, which also finds itself a place in the field of organizational behavior, focused on the positive behavior, attitudes and experiences of employees and managers within the organization. In this context, positive organizational psychology refers to the scientific and theoretical background that reveals the positive growing processes and results in interpersonal and structural dynamics in organizations in relation to positive attitude, behavior and culture in organizations [2]. In recent years, it has been observed that the studies carried out by analyzing organizational behaviors focus organizations' successes and strengths rather than their deficiencies. From this point of view, it is seen that the components that reveal the positive working environment and high performance in the organization are virtues such as trust, gratitude, empathy, compassion and forgiveness to the organization [3].

Positive organizational scholarship, another concept associated with positive organizational behavior, focuses on understanding and developing the dynamics that make up human and organizational functionality. While developing its objectives in the focus of management, spirituality and religion, positive organizational scholarship is trying to create a positive climate by improving the humanistic understanding in the working environment [4]. Although positive organizational scholarship seems to offer a "pink glasses" focusing only on the positive aspects of the cases, it also focuses on negative situations and resources within organizational systems and structures [5]. This concept considers how the challenges or obstacles encountered in organizational life are successfully overcome and how to be productive with these struggles. By a holistic perspective, positive organizational scholarship tends to determine what individuals and organizations are struggling with, what goes right and wrong in organizational structures, which facts are threatening or inspiring in organizational life [6]. In an interview conducted by reference [7], Professor Gretchen Spreitzer, an academic working on organizational development and change, mentions that positive leadership in an organization should be both human and conflict oriented. He states that this point of view is directed towards the individuals within the teams on the one hand and on the other hand, it is fed from the conflict created by the factors such as competition, time and work intensity. In such an environment, the fact that the leader keeps the conflict rate alive and not leaving human orientation offers a more sustainable structure for the existence of the organization. In the light of these assumptions and explanations, this study's motivation is shaped with the model of organizational virtuousness as a part of positive organizational behavior in order to approve a measurement tool.

1.1. Organizational Virtuosity

In the organizational context, positive psychology interventions represent a structure based on the development of positive subjective experiences, the creation of positive individual characteristics, the creation of civil virtue and positive institutions [8]. Organizational virtue is closely associated with the concept of organizational healing as well as the mentioned concepts. The fact that the organizations can get out of the negativities they experience by using their own dynamics after the big crisis points to a different side from the concepts such as resilience, harmony and courage. Describing the virtue capacities of organizations, this structure includes different topics such as improving employee priority, strengthening high quality connections, creating a family culture for the organization and initiating traditional celebrations and ceremonies in the organization [9].

Virtuosity, which has origin of Latin word ‘virtus’, means strength or excellence and explained by Plato and Aristotle as desires and actions that generate individual and social wellness [10]. This concept includes best potential goodness and aspiration of human conditions that shaped with ethical codes [10]. Organizational virtuosity is an example of positive behaviors in the framework of positive psychology [11] and it has been reflected with the concepts that uttered as individual actions, and collectivity, culture and organizational processes [12]. Since it is difficult to explain organizational virtuosity by just one measure, on three basic concepts should be elaborated that moral goodness, human impact and social betterment [12]. Organizational virtuosity can be considered in organizations via such samples more obviously as being honest, having respect and compassion, disseminating culture of forgiveness and learning from mistakes [13]. Reference [14] emphasize that organizational virtue is effective in two aspects, particularly strengthening and protective, in conditions of uncertainty. The point he emphasizes as a strengthening effect is that self-sustaining nature of virtue is because people are interested in virtuous actions. On the other hand, it explains its protective effect in the organization that it has a side that protects both individual and group employees against dysfunction and diseases.

From the other perspective, organizational virtuosity is remarkable for both executives and employees and also consumers, since consumers have sensitivity about organizational virtuosity particularly in terms of trust and moral views [15]. Moreover, it empowers individuals, evolves communication network and facilitates to create a close relationship culture [9]. Lawler (2004) describes seven key principles of organizational virtuosity as that these organizations should attract and retain the right people, bring together own and individual values, competences and goals, provide training and development, make work design carefully and clearly, devise reward system and have trusty and successful leaders [16].

According to the results of Reference [17] study is that some dimensions of organizational virtuosity such as trust, integrity is a way of prediction of some dimensions of organizational citizenship behavior. The authors explained the existence of this relationship with some concepts’ mediating roles as psychological contract, perceived organizational support etc. [17]. Cameron et al. (2014) collects the virtues owned by organizations under five main headings as optimism, trust, compassion, integrity and forgiveness [18]. Optimism, as one of these fundamental virtues, expresses people's beliefs and predictions about the development or consequences of future events based on past and present life experiences [19]. Trust, which is another of the organizational virtues, can be expressed as a virtue that is difficult to evaluate as

it relies on the individual perceptions of employees within the organization since it has a dynamic and variable structure, that is, the possibility of increasing or decreasing for the process [19]. The organizational compassion, also known as sympathy, emphasizes that individuals focus more on maintaining collective life rather than on their own self. Therefore, with this virtue, it is stated that individuals turn their attention to others by moving away from self-centeredness and feeling human love [20]. The virtue of integrity can be associated with employees' sense of responsibility in participating in processes within the organization [17]. Reference [21], who defines forgiveness as a human virtue, states that almost every day people develop expressions about forgiveness of others or their own crimes in their own relationships and also emphasizes that this dimension is closely related to other virtues such as compassion, humility, gratitude, hope, and love.

As a review on the measurement of organizational virtue is performed the scale developed by Reference [12] is encountered in many studies [22, 23, 24, 25, 26]. In addition, it is stated that The Calicut University Organizational Virtuosity Scale, developed by Anipriya and Manikandan (2013), consisted of 15 items, ensures content validity and its Cronbach Alpha coefficient is 0.88 [27]. On the other hand, when a literature review was made for this measurement tool, a study in which sufficient information could be obtained including the original study in which the measurement tool was published could not be found. Since there is no other example that gives a concrete level of organizational virtue apart from this measurement tool, the measurement tool of Reference [12], which is a frequently and long-used tool, was adapted to Turkish through confirmatory factor analysis within this study.

2.METHOD

In this section, information about research model, participants, measurement tool and data analysis are presented.

2.1. Research Model

In this study, the validity and reliability of the organizational virtuosity scale was analyzed in healthcare employees. The data was evaluated by the packet programme of SPSS 13.0. In order to examine the content validity of this measures, we performed confirmatory factor analysis (CFA) with LISREL VIII.

2.2. Participants

The universe of the research has been determined as Konya province. Turkey's largest four hospitals (two university hospitals and two research hospitals) in Konya were included in the study as sample. All personnel at these hospitals working at the time of data collection were contacted, and the study was conducted with 300 employees, who are volunteers to participate, selected randomly. The study was conducted on location with the consensus of the hospital administration. The survey questionnaires were distributed to each department, the participants were provided with written informed consent form, and they were informed that their involvement was voluntary and confidentiality and anonymity of the participants in this study were guaranteed. As a result, 300 questionnaires were analyzed in this study.

It was found that age average of the participants is 29,88, SD:7.039, average of professional working years is 4.88, SD:5.09. Participants have been composed several

professions such as allied health personnel such as nurse, midwife, health officer, laboratory assistant (67.7% n=203), qualified staff such as physician, dietitian, psychologist (15%, n=45) and administrative personnel (17.3%, n=52). Most of them have an education with associate degree (41.7%, n=125) and are women (51.7%, n=155), and married (53%, n=159).

2.3. Measurement Tool

The organizational virtuousness scale developed by Reference [12] was used within this study. It was rated with 5- point Likert (1=False, 5=True). This scale is constituted by 5 dimensions as optimism, trust, compassion, integrity and forgiveness and each dimension has 3 items. While the original version of the scale is found valid and reliable, convergent validity scores range between .83-.89.

2.4. Data analysis

In accordance with the validation procedures, the scale was translated from English to Turkish and from Turkish to English by the academics of the related field and performed exploratory factor analysis (EFA) via Statistical Package for the Social Sciences (SPSS) and confirmatory factor analysis (CFA) [28] via LISREL VIII package program by applying on the pilot and the original sample. While EFA was performed to test the construct validity of the scale, CFA was performed for validity. Goodness of fit of the scales was investigated in confirmatory factor analysis.

Cronbach Alpha coefficient was used to research the reliability of the scales. Ultimately, mean and standard deviation values of the scale items were calculated. Item-total correlation was examined for the relation between each items and general scale score. High correlation value with total scale score is an indicator of measuring degree of desired item for desired variable and it also demonstrates item reliability. Item-total correlations show the strength of the relationship and take a value between +1.0 and -1.0. [29]. Lastly, *t* value in confirmatory factor analysis should be significant [30, 31].

3.FINDINGS

As a result of the conducted EFA, it was seen that the data adapted to the five-factor structure of the scale. As a result of the analysis, it was determined that the factor loads of the scale, which reached a 5-dimensional structure, were between .63 and .89. The Keiser-Meyer-Olkin analysis of the scale was found as .90 and Barlett's test was significant ($p = .000$). The item-total correlations for scale items range from .79 with .89 as seen in the Table 1. According to this, scale shows a good level of internal consistency. The scale's Cronbach Alpha coefficient was .908. The scale has been found to be high reliability.

**Table 1. Item Loadings from Confirmatory Factor Analyses for Organizational
Virtuousness Scale**

Items *	(EFA) Standardized Loadings	(CFA) Standardized Loadings	t-Value	Mean	SS	Item-Total Correlations
		Cronbach Alpha=.908				
Optimism		.778				
1	.87	.72	12.98	3.99	1.185	.836**
2	.85	.87	16.39	4.22	1.077	.876**
3	.75	.65	11.55	4.12	1.070	.786**
Trust		.747				
4	.83	.64	11.46	3.77	1.333	.794**
5	.81	.74	13.93	3.87	1.210	.840**
6	.80	.76	14.29	3.76	1.252	.816**
Compassion		.746				
7	.84	.73	13.62	4.01	1.103	.814**
8	.85	.80	15.33	4.03	1.080	.837**
9	.78	.63	11.33	3.57	1.315	.804**
Integrity		.816				
10	.89	.74	14.11	4.06	1.114	.813**
11	.87	.78	15.31	3.68	1.239	.883**
12	.78	.80	15.78	3.85	1.170	.867**
Forgiveness		.829				
13	.79	.81	15.77	3.54	1.304	.882**
14	.80	.87	17.51	3.57	1.306	.887**
15	.63	.68	12.65	3.69	1.233	.819**

Note: Standardized item loadings reported for CFA. $p < .001$ for all loadings.

***Correlation is significant at the 0.01 level (2-tailed). *The items are included in the study of Reference [12].*

The model with 15 items was confirmed with the CFA that performed after these analyzes. Goodness-of-Fit Statistics can be shown as $\chi^2 = 166.83$, $df = 80$, $\chi^2/df = 2.08$ ($p < .01$), CFI=.96, AGFI=.90, GFI=.93, RMSEA=.06, SRMR=.042, $p=.000$). When the goodness of fit indices is analyzed, they indicate an acceptable level of fit as χ^2 / df ratio is < 5 [32]. While SRMR (Standardized root mean square residual) is found as less than .05 [33], The RMSEA value shows acceptable compliance between $.05 < RMSEA \leq .08$ [33, 34]. Besides AGFI has good fit between $.90 \leq AGFI \leq 1.00$ [33], CFI value values showed acceptable fit ranged as $.95 \leq CFI < .97$ [30] and GFI has acceptable fit as between $.90 \leq GFI < .95$ [28, 30].

4.DISCUSSION

In this study, the validity and reliability of the organizational virtuousness scale [12] was analyzed in healthcare employees. A total number of 300 healthcare employees selected as randomly from four public hospitals in Turkey. As a result of CFA analysis, the scale has reached its valid version consisting of 15 items and 5 dimensions. The scale's Cronbach Alpha coefficient was .908. The scale has been found to be high reliability and validity.

Virtuousness as a positive organizational behavior is a vital concept in order to gain competitive advantage in sophisticated business environment [35]. It is expected that organizational virtuousness produces positive organizational outcomes [36] and is a key for evolving employee behaviors and prompting them collectivity in organizational culture and process [17]. In variable conditions, virtue serves as a source of resilience and a performance

indicator against uncertainty that protects the organizational system against dangers and risks [37]. Reference [14] criticize the view that words such as virtue, hope, and honor do not match the modern competitive structure of the business world, although being virtuous indicates that people do their best or aim at the best in what they do. In an environment provided by employees feeling safe and communicating openly with management, psychological capital, which is shaped with positive attitudes and behaviors within the organization, is thought to have a positive impact on employees' self-efficacy and business performance. Accordingly, it can be said that there is a positive relationship between positive organizational behavior and psychological capital, which is stated as self-effectiveness, hope, resilience and optimism [38].

It is supported by many studies that the organization performs higher in achieving the desired goals if the employees exhibit virtuous behaviors supported within organizational systems and processes [39, 37, 40]. Additionally, the findings of Reference [13] study illustrate that an extending organizational virtuousness endorses affective well-being and commitment. In the context of organizational behavior, considering the positive effects on efficiency and performance, measuring and materializing of organizational virtue has a special importance. In this sense, it is emphasized that the development of measurement tools is an indicator of the in-depth analysis of this concept by the concrete outputs obtained through experimental studies. It is stated that positive organizational virtue primarily focuses on organizational second, individual outputs, offers objective definitions independent of individual character, is supported by measurement tools, and therefore can be supported by concrete outputs required by positive science [41].

In this study, where a measurement tool of organizational virtue that contributes to the psychological psychology in organizations has been adapted to Turkish, it can be said that the measurement tool used is preferred due to its extensive presence in the literature. Unlike the original version of the measurement tool, which was previously adapted to Turkish by Reference [42], a three dimensional model was supported and it was stated that two dimensions were combined with other dimensions because some items were perceived as similar by the participants. With the new analysis carried out, it can be said that the model created in accordance with the original version of the measurement tool was supported with acceptable values, and a new version was reached in a different sample as healthcare workers. According to the result of this study, which made an original contribution to the organizational behavior literature with a sample of health professionals, it is recommended for the further studies to examine the resilience dimensions shown by organizations or employees especially in crisis periods by using the organizational virtue scale.

REFERENCES

- [1] Cameron, K. S., Dutton, J. E., & Quinn, R. E. (2003). An Introduction to Positive Organizational Scholarship In K. S. Cameron, J. E. Dutton & R. E. Quinn (Eds.), *Positive Organizational Scholarship* (pp. 3-13). San Francisco: Berrett-Koehler.
- [2] Cameron, K. S., & Caza, A. (2004). Introduction: Contributions to the discipline of positive organizational scholarship. *American Behavioral Scientist*, 47(6), 731-739.
- [3] Vallett, C. M. (2010). Exploring the relationship between organizational virtuousness and culture in continuing higher education. *The Journal of Continuing Higher Education*, 58(3), 130-142.

**MAS INTERNATIONAL EUROPEAN CONFERENCE ON
MATHEMATICS-ENGINEERING-NATURAL & MEDICAL SCIENCES-XII**

- [4] Lavine, M., Bright, D., Powley, E. H., & Cameron, K. S. (2014). Exploring the generative potential between positive organizational scholarship and management, spirituality, and religion research. *Journal of Management, Spirituality & Religion*, 11(1), 6-26.
- [5] Golden-Biddle, K. (2006). A Review of: "Positive Organizational Scholarship: Foundations of a New Discipline, edited by Kim S. Cameron, Jane E. Dutton, and Robert E. Quinn" *International Public Management Journal*, 9(2), 199-202.
- [6] Ceja-Barba, L. (2014). Towards a positive organizational study of familyowned businesses: Embracing a fertile territory. *European Journal of Work and Organizational Psychology*, 23(5), 665-668.
- [7] Oswick, R., & Oswick, C. (2020). Positive Perspectives on Organizing and Organizational Change: A Conversation with Gretchen Spreitzer. *Journal of Change Management*, 20(1), 24-34.
- [8] Meyers, M. C., Woerkom, M. v., & Bakker, A. B. (2013). The added value of the positive: A literature review of positive psychology interventions in organizations. *European Journal of Work and Organizational Psychology*, 22(5), 618-632.
- [9] Powley, E. H., & Cameron, K. S. (2006). Organizational Healing: Lived Virtuousness Amidst Organizational Crisis. *Journal of Management, Spirituality & Religion*, 3(1-2), 13-33.
- [10] Bright, D. S., Cameron, K. S., & Caza, A. (2006). The Amplifying and Buffering Effects of Virtuousness in Downsized Organizations. *Journal of Business Ethics*, 64, 249–269.
- [11] Searle, T. P., & Barbuto, J. E. (2010). Servant Leadership, Hope, and Organizational Virtuousness: A Framework Exploring Positive Micro and Macro Behaviors and Performance Impact. *Journal of Leadership & Organizational Studies*, 18(1), 107-117. doi: 10.1177/1548051810383863
- [12] Cameron, K. S., Bright, D., & Caza, A. (2004). Exploring the Relationships between Organizational Virtuousness and Performance. *American Behavioral Scientist*, 47(6), 766-790. doi: 10.1177/0002764203260209
- [13] Rego, A., Ribeiro, N., Cunha, M. P. e., & Jesuino, J. C. (2011). How happiness mediates the organizational virtuousness and affective commitment relationship. *Journal of Business Research*, 64(5), 524-532. doi: 10.1016/j.jbusres.2010.04.009
- [14] Caza, A., Barker, B. A., & Cameron, K. S. (2004). Ethics and ethos: the buffering and amplifying effects of ethical behavior and virtuousness. *Journal of Business Ethics*, 52, 169–178.
- [15] Rego, A., Ribeiro, N., & Cunha, M. P. (2010)). Perceptions of Organizational Virtuousness and Happiness as Predictors of Organizational Citizenship Behaviors. *Journal of Business Ethics*, 93, 215–235.
- [16] Shekari, H., Afshari, M. A., & Veyseh, S. M. (2011). Developing Values in Organization: A Reflection on Organizational Virtuousness Approach. *International Journal of REsearch in Commerce and Management*, 2(5), 11-15.
- [17] Ribeiro, N., & Rego, A. (2009). Does Perceived Organizational Virtuousness Explain Organizational Citizenship Behaviors? . *International Journal of Social and Human Sciences*, 3, 736-743.
- [18] Malik, S. Z., & Naeem, R. (2016). Organizational Virtuousness, Perceived Organizational Support and Organizational Citizenship Behavior: A Mediation Framework. *Journal of Behavioural Sciences*, 26(1), 113-129.

**MAS INTERNATIONAL EUROPEAN CONFERENCE ON
MATHEMATICS-ENGINEERING-NATURAL & MEDICAL SCIENCES-XII**

- [19] Gukiina, J., Ntayi, J. M., Balunywa, W., & Ahiauzu, A. (2019). Organizational Virtuousness: The Customers' Perspective. *African Social Science Review*, 10(1), 106-163.
- [20] Ravaji, M. (2016). The Effect of Organizational Virtuousness and Psychological Capital Role on Employees' Creativity In Tehran Water and Wastewater Company. *International Journal of Scientific Management and Development*, 4(12), 496-506.
- [21] Cameron, K. S. (2001). Leadership through organizational forgiveness. *Leading in Trying Time*.
- [22] Abedikooski, S., & Zeinabadi, H. (2016). Organizational Virtuousness in Schools: A Review of Factor Structure of a Tool in Secondary Schools. *Journal of Administrative Management, Education and Training*, 12(2), 60-69.
- [23] Nikandrou, I., & Tsachouridi, I. (2015). Towards a better understanding of the "buffering effects" of organizational virtuousness' perceptions on employee outcomes. *Management Decision*, 53(8), 1823-1842.
- [24] Pires, M. L., & Nunes, F. (2018). The Mediating Role of Virtuousness in Human Resource Management and Job Outcomes. *Journal of Business Management*, 58(4), 380-392.
- [25] Singh, S., David, R., & Mikkilineni, S. (2018). Organizational Virtuousness and Work Engagement: Mediating Role of Happiness in India. *Advances in Developing Human Resources*, 20(1), 88-102.
- [26] Zhang, Q., & Liu, Y. (2019). Employees' Environmental Protection and Charitable Donation and Ethical Leadership: An Empirical Study. *International Journal of Environmental Research and Public Health*, 16(13), 2282-2301.
- [27] Manikandan, K., & Anipriya, S. (2014). Organizational justice, organizational virtuousness and performance among bank employees. *South Asian Academic Research Journals*, 3(2), 49-62.
- [28] Jöreskog, K., Sörbom, D. (1993). Lisrel 8: the simplis command language. Lincolnwood, IL: Scientific Software International, Inc.
- [29] Büyüköztürk, Ş. Çokluk, Ö. & Köklü, N. (2012) *Sosyal Bilimler için İstatistik*. Pegem Akademi, 11.Baskı.
- [30] Schumacker, R.E., Lomax, R.G., (2010). A Beginner's Guide to Structural Equation Modeling. Taylor and Francis Group, London.
- [31] Hui, S. (2003) Revision of Genetic Regulatory Models Using Structural Equation Modeling/Path Analysis. Internet Address: <http://zencaroline.blogspot.com/2007/06/compositereliability.html>, Date of Access: 03.09.2010.
- [32] Li, S., Rao, S.S., Ragu-Nathan, T.S., Ragu-Nathan, B., (2005). Development and validation of a measurement instrument for studying supply chain management practices. *Journal of Operations Management*, 23(6), 618-641.
- [33] Schermelleh-Engel, K., Moosbrugger, H., Müller, H., (2003). Evaluating the fit of structural equation models: Tests of significance and descriptive goodness-of-fit measures. *Methods of Psychological Research Online*, 8(2), 23-74.
- [34] MacCallum, R.C., Browne, M.W., Sugawara, H.M. (1996). Power analysis and determination of sample size for covariance structure modeling. *Psychological Methods*, 1(2), 130-49.

**MAS INTERNATIONAL EUROPEAN CONFERENCE ON
MATHEMATICS-ENGINEERING-NATURAL & MEDICAL SCIENCES-XII**

[35] Ugwu, F. O. (2012). Are Good Morals Often Reciprocated? Perceptions of Organizational Virtuousness and Optimism as Predictors of Work Engagement. *Asian Journal of Social Sciences and Humanities*, 1(3), 188-198.

[36] Fernando, M., & Almeida, S. (2012). The organizational virtuousness of strategic corporate social responsibility: A case study of the Sri Lankan family-owned enterprise MAS Holdings. *European Management Journal*, 30(6), 564-576. doi: 10.1016/j.emj.2012.08.003

[37] Cameron, K. (2006). Good or not bad: standards and ethics in managing change. *Academy of Management Learning & Education*, 5(3), 317-323.

[38] Hystad, S. W., Bartone, P. T., & Eid, J. (2014). Positive organizational behavior and safety in the offshore oil industry: Exploring the determinants of positive safety climate. *The Journal of Positive Psychology*, 9(1), 42-53.

[39] Cameron, K. (2003). Organizational Virtuousness and Performance. In K. S. Cameron, J. E. Dutton & R. E. Quinn (Eds.), *Positive Organizational Scholarship* (pp. 48-65). San Francisco: Berrett-Koehler.

[40] Donaldson, S. I., & Ko, I. (2010). Positive organizational psychology, behavior, and scholarship: A review of the emerging literature and evidence base. *The Journal of Positive Psychology*, 5(3), 177-191.

[41] Sison, A. J. G., & Ferrero, I. (2015). How different is neo-Aristotelian virtue from positive organizational virtuousness? *Business Ethics: A European Review*, 24(52), 78-98.

[42] Erkmen, T., & Esen, E. (2012). Örgütsel Erdemlilik Ölçeğinin Uyarlanması: Geçerlik ve Güvenirlilik Çalışması. *Business and Economics Research Journal*, 3(4), 107-121.

**PERCEIVED MYTHS AND MISCONCEPTIONS ABOUT THE NOVEL COVID 19
OUTBREAK: A RESEARCH BASED ON THE ONLINE CROSS SECTIONAL
SURVEY OF 1200 RESPONDENTS ACROSS WEST AFRICA**

**Emmanuel Lamptey¹,
Michael. A Okunlola²,
Serwaa Dorcas¹,
Ephraim Kumi Senkyire³,
Jude Ameyaw⁴,
Benita Dooshima Aki⁵.**

¹Institute of Life and Earth Sciences (Including Health and Agriculture), Pan African University, University of Ibadan, Nigeria.

²Department of Obstetrics and Gynecology, University College Hospital, University of Ibadan, Ibadan, Nigeria.

³Cape Coast Teaching Hospital, Department of Pediatric Nursing, Ghana.

⁴Elimina Polyclinic Cape Coast, Ghana.

⁵Benue State University, Nigeria.

Abstract

The outbreak of the novel coronavirus(Covid-19), first reported in Wuhan China, has now spread globally, becoming a matter of international concern. The World Health Organization officially changed its classification of the situation from a Public Health Emergency of International Concern to a Pandemic on March 11, 2020. As the COVID-19 continues to spread rapidly, so do the headline news and a host of misconceptions surrounding the outbreak. This paper investigated and highlighted some of the most common misinformation surrounding the outbreak of the COVID-19. This study employed a cross-sectional survey method, collected and analyzed data on these misconceptions and examined factors that influence the levels of these misconceptions. The study identified four top misconceptions respondents believe or agree. These are; COVID-19 is deadly (83.3%), Hand sanitizers do kill the virus (67.5%), face mask offer protection against the outbreak (55.8%), and Drying the hands with hand dryer helps to prevent the virus (44.2%). However, respondents were able to disagree, identify correctly, and debunked certain statements of misconception. These include coronavirus affect only the elderly (95%), the virus can spread by mosquito bites (87.5%), antibiotics are good for treatment (60%) and homemade remedies can cure the COVID-19(54.2%). Factors such as employment status and the relatedness of the respondent's occupation to Human Health were significant to influence some of these misconceptions. Exploring these misconceptions keep the general public fully educated and informed about the facts of the outbreak as well as avoiding making up these misconceptions to protect themselves.

Keywords: COVID-19 Outbreak, Myths, and Misconceptions, West Africa.

Introduction

The COVID-19 mainly affects the respiratory system. This virus is part of the corona family, which includes severe acute respiratory syndrome(SARS)-CoV and the middle east

respiratory syndrome(MERS)-COV(Rothe et al., 2020).These infectious diseases are a great threat to public safety and Health (Chen et al., 2020).

The COVID-19 started manifesting when a cluster of patients was admitted to the hospital in Wuhan, China. These patients were exhibiting signs and symptoms of pneumonia. The causation was first linked to the seafood and live animal market in Wuhan, Huabei Province of China(Li et al., 2020).The origin and the onset of the COVID 19 were sequential; around the middle of December 2020, the condition hospitalized five patients with symptoms suggestive of acute respiratory distress syndrome, and one of them died(Yu et al., 2020). In the next year, which was January 2020, COVID 19 manifested in 41 patients through laboratory testing. Progressively, the disease started spreading sharply, and as of 22 January 2020, a total of 571 cases of the new virus have tested positive in 25 provinces across China(Lee & Hsueh, 2020).

On 25 January 2020, the total number of cases confirmed in China had reached a total of 1975, with 56 deaths(Lee & Hsueh, 2020).These estimates showed that the COVID-19 was fast-, spreading. As of January 30, 2020, all reports indicate that 90 cases confirmed globally and in nearby Asia countries such as Taiwan, Thailand Vietnam, Malaysia, Japan, South Korea, etc. and even the United States of America(Yang et al., 2020).

When the outbreak of the COVID-19 was well known and investigated, asymptomatic carriers can transmit the virus via person to person contact(Lai, Liu, et al., 2020). That was not the only observation; it was evident that patients with Acute Respiratory Distress confirmed with the COVID 19 had no signs of pneumonia when examined on chest Computed Tomography(C. Huang et al., 2020).Whereas patients with pneumonia defined as COVID-19 show both respiratory and pneumonia features on chest radiography(C. Huang et al., 2020).The disease also leads to critical conditions like respiratory and organ failure(C. Huang et al., 2020).

Initially, COVID-19 cases were mostly adults in their late forties. A research done in 31 provinces of China with 1099 patients from 522 hospitals supported this finding. The median age of this study was 47 years, and the symptoms of ARD and pneumonia were both common in all patients(D. Wang et al., 2020).Further study was done in South Korea by Ryi et al. (2020), and they found that the age ranges of 15 cases were between 25 and 62 years. Several studies concluded that most COVID-19 patients are middle-aged adults, men easily contract the disease, and hospital admissions are also responsible for the spread of the virus. According to the China Centre for Disease Control(CDC) reports, children aged 0-14 only form 0.9% of COVID-19 cases, and there is no evidence that it attacks people of Asian Descent more.

Currently, there are no specific vaccines against the COVID 19. Existing antiviral drugs have been used so far for the management of the COVID 19. These include the following drugs 75mg oseltamivir,500mg lopinavir,500 mg ritonavir, and the intravenous administration of 0.25g ganciclovir for 3-14 days. Research proved that remdesivir and chloroquine are highly effective in the control of the virus(M. Wang et al., 2020). A study by (Colson et al., 2020) shows that chloroquine is 50% effective in controlling the virus.

According to researchers, developing a full therapeutic regimen could take a year or more. Compounds like EIDD-2801 are under research, although they have high potentials.

The COVID-19 is new to the globe, and therapeutics for the condition is not fully clear. Therefore, extensive measures are needed to stop the virus from propagating. These measures

must be obeyed by all people, including children, the elderly, and health care providers. Disinfection, social distancing, and handwashing with soap are essential on a routine basis. People should avoid physical contact, and wet contaminated objects. In applying measures to control the propagation of the virus, some people believe in certain perceptions that are not correct and truly not preventive. These include using a face mask, hand sanitizers, and drying the hands with hand dryer helps to prevent the virus, etc.

To date (as of 25th March 2020), China has the highest number of patients with COVID-19(n=81848) followed by Italy(n=69176), United States(n=51914) and Spain(n=39673) according to the World Health Organization (WHO,2020). The total number of cases and deaths outside china now outweigh cases within China, which is the Epic Centre of the Disease. China has been the epicenter of two pandemic outbreaks endangering the lives of people around the globe. The first was the pandemic of SARS, which infected the lives of 8098 Individuals with 774 deaths (W.-H. Huang et al., 2020). This disease started in Guangdong China, and spread to more than 12 countries. All these diseases originated from bats (W.-H. Huang et al., 2020).

Globally at now (25 March 2020), there are 167511 confirmed cases with 6606 deaths, four new countries two in Africa, one in Europe, and the other one in the Americas have reported cases of COVID-19 in the past 24 hours(WHO,2020). Estimates projecting from the outbreak of the previous SAR-COV show that the COVID 19 could cost the global economy 30 to 100 Billion US Dollars(Lai, Shih, et al., 2020). The control, early detection, and management of cases require accurate knowledge and preventive measures in all areas and communities because the novel COVID-19 is rapidly spreading. Due to the fast-spreading nature, the WHO declared the COVID 19 as the sixth public health emergency with international concern. The virus is propagating globally, and coordinated international efforts are required to control it. There is increased dissemination of information across all geographical regions and disciplines through the use of the internet and social media. The WHO COVID 19 Incident Management Teams are closely working with partners across all levels to strengthen the global response to the Virus. Part of the strategic objectives of the WHO are to address crucial unknowns regarding clinical severity, the extent of transmission, treatment options, and to communicate critical risk and event information to all communities countering misinformation. The world health organization is not just battling the virus but also the trolls and conspiracy theorists that push misinformation and undermine the outbreak response(Tedros,2020). However, there remains a considerable number of beliefs, myths and misconceptions to be addressed. These misconceptions, myths and misunderstandings could be a major constraint militating the achievement of the WHO strategic objectives. This article investigates and highlights these misconceptions, myths and beliefs surrounding the outbreak of novel COVID-19.

Materials and Methods

The investigated these misconceptions across West Africa, with a quantitative explorative structured questionnaire designed and created on 9th March 2020. The survey was developed based on a review of relevant literature about the COVID-19 Outbreak from credible sources. Respondents were reached and recruited by posting the survey link to Facebook, groups on Facebook, various Facebooks pages, Instagram, Twitter, WhatsApp groups,

LinkedIn, and also shared to relatives, contacts and friends across West Africa. These accessible populations then shared and forwarded the survey to their contacts and various groups to keep the survey trending.

All possible Online channels and media utilized to get the study widely distributed. The survey was open for data collection for three weeks from 9th March to 29th March 2020. The questionnaire consists of two main sections. First, part demographics characteristic of respondents including respective countries, and the second part is about their agreement with statements perceived about the COVID 19 outbreak.

Ensuring adequate ethical considerations and validity of the data collected, respondents have to be over the age of 18 years and above to complete the survey. The purpose of the study, confidentiality, voluntary nature of the research, and the estimated time it will take to complete the questionnaire completely explained to potential respondents. Respondents got fully informed that by choosing to access the survey link, they are providing their consent to participate.

Although participants could exist in the survey at any point, relevant questions require a mandatory response to proceed to the next item of the study. A total of 1200 respondents had access to the questionnaire and filled through voluntarily. No sample size calculation method was employed because the readiness of respondents to make time and use their data in filling through the survey was a major considering factor that determines the number of participants.

Data collected were cleaned (uncompleted responses deleted), entered into Excel, and SPSS version 22 for analysis and frequency calculation. Exploring potentials associated factors with their misconceptions, a chi-square was computed with significance level stated, as a p-value. The confidence level was 95%, and the statistical significance set to be $p < 0.05$.

RESULTS

This chapter analyzes the responses from the participant of the study. These are represented in tables for clarity, and their interpretation follows there after.

**MAS INTERNATIONAL EUROPEAN CONFERENCE ON
MATHEMATICS-ENGINEERING-NATURAL & MEDICAL SCIENCES-XII**

Table 1.0
Demographic characteristics of Respondents

Characteristics	Number (n)	Percentage(%)
Age		
18-20	20	1.7
21-30	620	51.7
31-40	480	40.0
41-50	70	5.8
51 and above	10	0.8
Gender	540	45
Female	660	55
Male		
Marital Status	430	35.8
Married	720	60.0
Single	50	4.2
Cohabitation/Relationship		
Religion	1070	89.2
Christians	130	10.8
Muslims	0.0	0.0
Traditional/Others		
Educational level	30	2.5
Elementary/Junior/High School	790	65.8
Undergraduate	380	31.7
Postgraduate		
Occupational Status	920	76.7
Employed	280	23.3
Unemployed		
Country	629	52.4
Ghana	333	27.7
Nigeria	69	5.7
Benin Republic	46	3.8
Gambia	38	3.1
Senegal	23	1.9
Sierra Leone	20	1.7
Mali	17	1.4
Liberia	15	1.2
Togo	10	0.8
Ivory Coast		

Table 1.0 represents the socio-demographic characteristic of respondents. A total of 1200 people responded, **55.0%** (660) were male, while the rest **45.0%**(540) were females. The age

**MAS INTERNATIONAL EUROPEAN CONFERENCE ON
MATHEMATICS-ENGINEERING-NATURAL & MEDICAL SCIENCES-XII**

distribution was made up of the following:18-20(1.7%); 21-30 (51.7%);31-40(40.0%); 41-50 (5.8%), and 51 years and above representing 0.8%. The majority of respondents were having undergraduate education (65.8%) followed by those with Postgraduate education (31.7%). The least been elementary, junior, and high school education (2.5%). 89.2% (1070) were Christians, and the remaining 10.8%(130) been Muslims. With occupational status,76.7% employed, while 23.3% were not. The study found that majority of the respondents (83.3%) were worried about the virus been deadly, following this, two-third of the respondents believe that hand sanitizers do kill the virus. Half of the respondents maintain the view that face mask protects against the virus and a little bit less than half agreed that drying the hands with hand dryers help to prevent the virus.

Table 2.0
Responses to the Statements.

Statements	Responses [n (%)]		
	Agree	Disagree	Neutral(No idea)
1. Hand Sanitizer does kill corona virus	810(67.5%)	290(24.2%)	100(8.3%)
2. Corona Virus only affect the elderly			
3. Face mask protects against the Corona Virus	30(2.5%)	1140(95%)	30(2.5%)
4. Dogs can get Corona Virus	670(55.8%)	480(40%)	50(4.2%)
5. We should be worried about the virus because it is deadly.	400(33.3%)	310(25.8%)	490(40.8%)
6. There is a Vaccine for the Virus	1000(83.3%)	80(6.7%)	120(10%)
7. Homemade remedies can cure the Corona Virus	100(8.3%)	790(65.8%)	310(25.8%)
8. The Flu is more dangerous than the Corona Virus	190(15.8%)	640(53.3%)	370(30.8%)
9. People of Asian Descent are likely to be infected and spread it	220(18.3%)	650(54.2%)	330(27.5%)
10. The corona Virus was deliberately engineered at the Lab	330(27.5%)	590(49.2%)	280(23.3%)
11. The Virus can be transmitted in Chinese food and packages	350(29.2%)	300(25%)	550(45.8%)
12. Drying the hands with hand dryer helps to prevent the virus from spreading	310(25.8%)	610(50.8%)	280(23.3%)
13. The Virus does not survive in hot and humid weather	530(44.2%)	430(35.8%)	240(20%)
14. You can catch the Virus through mosquito bites			
15. Antibiotics are effective for treatment	460(38.3%)	520(43.3%)	220(18.3%)
16. Eating Garlic could help fight the Virus	30(2.5%)	1050(87.5%)	120(10%)
	140(11.7%)	720(60%)	340(28.3%)
	290(24.2%)	440(36.7%)	470(39.2%)

Certain demographic factors made a difference with some of the perceptions. Employment and the relatedness of the respondent's occupation to Human Health caused significant changes in six statements, as summarized in **Table 3**.

Table 3.0
Factors that could influence the level of these misconceptions

Variable	Occupational Status		X ²	P value	Occupation related to Human Health		X ²	P value
	Employed	Unemployed			No	Yes		
1. Hand Sanitizer does kill corona virus								
Agree	660	150	8.57	0.01	270	540	0.68	0.71
Disagree	220	70			120	170		
Neutral	40	60			40	60		
2. We should be about the virus spreading and becoming deadly								
Agree	780	220	7.30	0.026	350	650	4.56	0.102
Disagree	80	0			10	70		
Neutral	60	60			70	50		
3. Dogs can get Coronavirus								
Agree	310	90	1.66	0.43	140	260	6.30	0.043
Disagree	260	50			60	250		
Neutral	350	140			230	260		
4. The Flu is more dangerous than the coronavirus								
Agree	160	60	11.3	0.003	30	190	6.23	0.044
Disagree	570	80			250	400		
Neutral	190	140			15	180		
5. The Virus can be transmitted in Chinese foods and packages								
Agree	250	60	1.62	0.443	70	240	6.25	0.044
Disagree	480	130			210	400		
Neutral	190	90			150	130		
6. The virus does not survive in hot/humid weather								
Agree	440	80	10.9	0.004	130	330	6.54	0.038
Disagree	110	110			170	350		
Neutral					130	90		

DISCUSI0N AND CONCLUSION

Covid-19 remains pandemic and a public health issue in our respective communities and countries. Myths, and misconceptions about the outbreak may affect the way the virus can be control at the individual, national, and global level.

Addressing these myths and misconceptions is necessary to protect everyone and those at high risk. The findings of this study reveals that people are aware of some essential facts about COVID-19.

For instance, respondents were able to identify statements that were not true and disagreed with them. The majority of the respondents know that the Corona affects all people irrespective of age. Knowing that everyone on planet earth is susceptible to the disease will prompt people to take preventive measures. The spreading of the virus by mosquitoes, availability of vaccines, the flu been more dangerous than the virus, and the use of homemade remedies for COVID-19 were other perceptions respondents completely disagree with, and they were correct to disagree with these misconceptions. These were summarized in Table 2 above.

On contrast, People are worried about the virus, and are under panic that it is deadly. It suggests the coronavirus outbreak has psychological implications. There is no solid conclusion that the novel COVID-19 is completely deadly. Death rate varies by location, age, and presence of co-morbidity in people. There are and still many instances when people who get infected with the virus recover at home without any hospital management, and several patients, COVID-19 is deadly. The COVID-19 is most dangerous to the elderly and those with preexisting conditions. According to the WHO, as of 5th March 2020, about 3.4% of reported COVID-19 patients around the world have died. In Africa, there are 3766 confirmed cases, with 95 deaths from 25 February to 1st April 2020(WHO,2020). Although the COVID-19 is fast-spreading, people should not be under panic, anxious, and believe that is highly deadly.

The belief that hand sanitizer does kill the virus is still evident among respondents. It is arguable whether hand sanitizers do control the virus. This must be addressed properly and the right education must be given. Hand sanitizers do control the virus when the level of alcohol is about 60-90%(Pankhania,2020). It must be in the right proportion to control the virus. Handwashing with soap and water is the best, and the general public must be informed to prioritize this over hand sanitizers.

The use of facemask among the population is still trending, people are tempted to wear mask to feel secured, a little bit more than half of the respondents believe in the use of the face mask for providing protection. Keeping the hand clean and away from sensitive areas like the nose, eyes and eyes is the best (Pankhania,2020). Facemask should only be worn by health care providers in the healthcare setting. N95 mask blocks 95% of particles that are 0.3 microns, coronavirus droplets ranges between 0.1 and 0.2 microns, so no protection is guaranteed. Face mask must be worn only in specific areas and must be combined with hand hygiene.

People must be educated to wear mask only when they have cough, fever and difficulty breathing. There is no need to wear facemask if these symptoms are absent. Surgical mask worn by most people are not airtight hence no protection. There is no evidence that facemask protects against corona virus.

Lastly, people are still believing that hand dryers help prevent or control the virus. This is not true and does not help at all. Hand drying is recommended only after handwashing. These are the four common misconceptions this study identified and highlighted

In addition, a chi squared test performed to investigate factors that could influence these perceptions showed that the employment status of respondents and the relatedness of their occupation to Human Health had a statistically significant relationship. People who are actively employed going about their daily activities and in health related occupations are well informed, have insight and they make a difference.

In conclusion, this study reveals that people have adequate and accurate information about the COVID-19 outbreak except with few certain misconceptions discussed above. Health authorities and organizations in West Africa should focus on educating people on these identified and highlighted misconceptions.

Funding sources

No funding was received for this study

Acknowledgements

The authors thank all the participants for their voluntary participation and support

Competing Interests

We declare no competing interests

References

- Chen, H., Guo, J., Wang, C., Luo, F., Yu, X., Zhang, W., Li, J., Zhao, D., Xu, D., Gong, Q., Liao, J., Yang, H., Hou, W., & Zhang, Y. (2020). Clinical characteristics and intrauterine vertical transmission potential of COVID-19 infection in nine pregnant women: A retrospective review of medical records. *The Lancet*, 395(10226), 809–815. [https://doi.org/10.1016/S0140-6736\(20\)30360-3](https://doi.org/10.1016/S0140-6736(20)30360-3)
- Colson, P., Rolain, J.-M., & Raoult, D. (2020). Chloroquine for the 2019 novel coronavirus SARS-CoV-2. *International Journal of Antimicrobial Agents*, 55(3), 105923. <https://doi.org/10.1016/j.ijantimicag.2020.105923>
- Huang, C., Wang, Y., Li, X., Ren, L., Zhao, J., Hu, Y., Zhang, L., Fan, G., Xu, J., Gu, X., Cheng, Z., Yu, T., Xia, J., Wei, Y., Wu, W., Xie, X., Yin, W., Li, H., Liu, M., ... Cao, B. (2020). Clinical features of patients infected with 2019 novel coronavirus in Wuhan, China. *The Lancet*, 395(10223), 497–506. [https://doi.org/10.1016/S0140-6736\(20\)30183-5](https://doi.org/10.1016/S0140-6736(20)30183-5)
- Huang, W.-H., Teng, L.-C., Yeh, T.-K., Chen, Y.-J., Lo, W.-J., Wu, M.-J., Chin, C.-S., Tsan, Y.-T., Lin, T.-C., Chai, J.-W., Lin, C.-F., Tseng, C.-H., Liu, C.-W., Wu, C.-M., Chen, P.-Y., Shi, Z.-Y., & Liu, P.-Y. (2020). 2019 novel coronavirus disease (COVID-19) in Taiwan: Reports of two cases from Wuhan, China. *Journal of Microbiology, Immunology and Infection*, S1684118220300372. <https://doi.org/10.1016/j.jmii.2020.02.009>
- Lai, C.-C., Liu, Y. H., Wang, C.-Y., Wang, Y.-H., Hsueh, S.-C., Yen, M.-Y., Ko, W.-C., & Hsueh, P.-R. (2020). Asymptomatic carrier state, acute respiratory disease, and pneumonia due to severe acute respiratory syndrome coronavirus 2 (SARS-CoV-2): Facts and myths. *Journal of Microbiology, Immunology and Infection*, S1684118220300402. <https://doi.org/10.1016/j.jmii.2020.02.012>
- Lai, C.-C., Shih, T.-P., Ko, W.-C., Tang, H.-J., & Hsueh, P.-R. (2020). Severe acute respiratory syndrome coronavirus 2 (SARS-CoV-2) and coronavirus disease-2019 (COVID-19): The epidemic and the challenges. *International Journal of Antimicrobial Agents*, 55(3), 105924. <https://doi.org/10.1016/j.ijantimicag.2020.105924>
- Lee, P.-I., & Hsueh, P.-R. (2020). Emerging threats from zoonotic coronaviruses—from SARS and MERS to 2019-nCoV. *Journal of Microbiology, Immunology and Infection*, S1684118220300116. <https://doi.org/10.1016/j.jmii.2020.02.001>
- Li, Q., Guan, X., Wu, P., Wang, X., Zhou, L., Tong, Y., Ren, R., Leung, K. S. M., Lau, E. H. Y., Wong, J. Y., Xing, X., Xiang, N., Wu, Y., Li, C., Chen, Q., Li, D., Liu, T., Zhao, J.,

**MAS INTERNATIONAL EUROPEAN CONFERENCE ON
MATHEMATICS-ENGINEERING-NATURAL & MEDICAL SCIENCES-XII**

Liu, M., ... Feng, Z. (2020). Early Transmission Dynamics in Wuhan, China, of Novel Coronavirus–Infected Pneumonia. *New England Journal of Medicine*, NEJMoa2001316. <https://doi.org/10.1056/NEJMoa2001316>

Rothe, C., Schunk, M., Sothmann, P., Bretzel, G., Froeschl, G., Wallrauch, C., Zimmer, T., Thiel, V., Janke, C., Guggemos, W., Seilmaier, M., Drosten, C., Vollmar, P., Zwirgmaier, K., Zange, S., Wölfel, R., & Hoelscher, M. (2020). Transmission of 2019-nCoV Infection from an Asymptomatic Contact in Germany. *New England Journal of Medicine*, 382(10), 970–971. <https://doi.org/10.1056/NEJMc2001468>

Wang, D., Hu, B., Hu, C., Zhu, F., Liu, X., Zhang, J., Wang, B., Xiang, H., Cheng, Z., Xiong, Y., Zhao, Y., Li, Y., Wang, X., & Peng, Z. (2020). Clinical Characteristics of 138 Hospitalized Patients With 2019 Novel Coronavirus–Infected Pneumonia in Wuhan, China. *JAMA*, 323(11), 1061. <https://doi.org/10.1001/jama.2020.1585>

Wang, M., Cao, R., Zhang, L., Yang, X., Liu, J., Xu, M., Shi, Z., Hu, Z., Zhong, W., & Xiao, G. (2020). Remdesivir and chloroquine effectively inhibit the recently emerged novel coronavirus (2019-nCoV) in vitro. *Cell Research*, 30(3), 269–271. <https://doi.org/10.1038/s41422-020-0282-0>

Yang, Y., Lu, Q., Liu, M., Wang, Y., Zhang, A., Jalali, N., Dean, N., Longini, I., Halloran, M. E., Xu, B., Zhang, X., Wang, L., Liu, W., & Fang, L. (2020). *Epidemiological and clinical features of the 2019 novel coronavirus outbreak in China* [Preprint]. *Epidemiology*. <https://doi.org/10.1101/2020.02.10.20021675>

Yu, P., Zhu, J., Zhang, Z., & Han, Y. (2020). A Familial Cluster of Infection Associated With the 2019 Novel Coronavirus Indicating Possible Person-to-Person Transmission During the Incubation Period. *The Journal of Infectious Diseases*, jiaa077. <https://doi.org/10.1093/infdis/jiaa077>

QUESTIONNAIRES

KINDLY SELECT ONE THAT MOST APPLY TO YOU

1. Gender
 - a. Male
 - b. Female
2. Country of Origin
.....
3. Age
 - a. 18-20
 - b. 21-30
 - c. 31-40
 - d. 41-50
 - e. 51-60
 - f. 60 and above
4. Religion
 - a. Muslim
 - b. Christian
 - c. Tradition/Others

**MAS INTERNATIONAL EUROPEAN CONFERENCE ON
MATHEMATICS-ENGINEERING-NATURAL & MEDICAL SCIENCES-XII**

5. Educational Background
 - a. Elementary, Junior/High School
 - b. Undergraduate Degree
 - c. Post-graduate Education
6. Marital Status
 - a. Married
 - b. Single
 - c. Co-habitation/Relationship
7. Will you consider yourself as having attained Higher Education?
 - a. Yes
 - b. No
8. Occupational Status
 - a. Employed
 - b. Unemployed
9. Is your Occupation Related to Human Health?
 - a. Yes
 - b. No
10. Does your occupation, work, activity involves either travelling, mingling in a crowd or speaking to large number of people
 - a. Yes
 - b. No
11. Do you have any underlying medical condition or comorbidity?
 - a. Yes
 - b. No

**KINDLY INDICATE YOUR AGREEMENT TO THE FOLLOWING
STATEMENTS ABOUT CORONAVIRUS**

1. Hand Sanitizer does kill coronavirus
 - a. Agree
 - b. Disagree
 - c. Neutral (No Idea)
2. Corona Virus only affect the elderly
 - a. Agree
 - b. Disagree
 - c. Neutral (No Idea)
3. A face mask will protect you from the virus
 - a. Agree
 - b. Disagree
 - c. Neutral (No Idea)
4. Dogs can get corona Virus
 - a. Agree
 - b. Disagree
 - c. Neutral (No Idea)
5. We should be worried about the Virus because it is deadly

**MAS INTERNATIONAL EUROPEAN CONFERENCE ON
MATHEMATICS-ENGINEERING-NATURAL & MEDICAL SCIENCES-XII**

- a. Agree
- b. Disagree
- c. Neutral (No Idea)
- 6. There is a Vaccine for the Corona Virus
 - a. Agree
 - b. Disagree
 - c. Neutral (No Idea)
- 7. Homemade remedies can cure coronavirus
 - a. Agree
 - b. Disagree
 - c. Neutral (No Idea)
- 8. The flu is more dangerous than the novel coronavirus
 - a. Agree
 - b. Disagree
 - c. Neutral (No Idea)
- 9. People of Asian descent are more likely to be infected and spread it
 - a. Agree
 - b. Disagree
 - c. Neutral (No Idea)
- 10. The corona Virus was deliberately engineered in the lab
 - a. Agree
 - b. Disagree
 - c. Neutral (No Idea)
- 11. The virus can be transmitted in Chinese food and packages.
 - a. Agree
 - b. Disagree
 - c. Neutral (No Idea)
- 12. Sneezing into the elbow is recommended and a good way to reduce the chance of spreading
 - a. Agree
 - b. Disagree
 - c. Neutral (No Idea)
- 13. Drying the hands with a Hand dryer helps to prevent the virus from spreading
 - a. Agree
 - b. Disagree
 - c. Neutral (No Idea)
- 14. The Virus does not Survive in hot and humid weather
 - a. Agree
 - b. Disagree
 - c. Neutral (No Idea)
- 15. You can catch the virus through mosquito bites
 - a. Agree
 - b. Disagree
 - c. Neutral (No Idea)

**MAS INTERNATIONAL EUROPEAN CONFERENCE ON
MATHEMATICS-ENGINEERING-NATURAL & MEDICAL SCIENCES-XII**

16. Antibiotics are effective for Treatment
 - a. Agree
 - b. Disagree
 - c. Neutral (No Idea)
17. Eating Garlic could help Fight the Virus
 - a. Agree
 - b. Disagree
 - c. Neutral (No Idea)

**METAL İMALAT SEKTÖRÜNDE İŞ SAĞLIĞI VE GÜVENLİĞİ
RİSKLERİNİN DEĞERLENDİRİLMESİ**

Mikail ERDAŞ

Ankara Yıldırım Beyazıt Üniversitesi

Özet

Metal imalat sektörü iş kazası ve meslek hastalıklarının çok sık yaşandığı bir sektördür. Sektörün üretim teknolojilerinde yapılan özellikle kaynakçılık, taşlama, ısıl işlem, döküm gibi uygulamalarda kullanılan ekipmanlardan kaynaklı birçok tehlikeler kaza riskini artırmaktadır. İnsan sağlığını olumsuz etkileyen ve güvenlik açısından risk taşıyan makinelerin ortama yaymış olduğu gürültü, titreşim, zararlı ışınlar, gazlar, havada asılı kalan metal tozları önlem alınması gereken başlıca tehlikelerdir. Sağlıklı ve güvenli bir çalışma ortamı oluşturulması için tehlike tanımlarının doğru bir şekilde yapılarak risk değerlendirmeleri sonucuna göre gerekli koruyucu ve önleyici tedbirlerin alınması gerekmektedir. Bu tedbirler kapsamında, ortamda öncelikle tehlike kaynağını ortadan kaldırmak, kullanılan ekipmanların daha az zararlı olanla değiştirilmesi veya tehlikeli ortamın yalıtılması en uygun sıralamadır. Alınacak önlemlerin yeterli seviyede olması için öncelikle tehlikelerin detaylı olarak ele alınması ve bu tehlikelerden kaynaklı ortamı etkileyecek risklerin boyutlarının iyi hesaplanması gerekmektedir. Bu nedenle bu çalışmada, metal imalat sektöründe iş sağlığı ve güvenliği riskleri çok ölçütlü bir karar verme yöntemiyle (Analitik Hiyerarşi Prosesi-AHP) derecelendirilmiş ve hangi risklerin üzerinde öncelikli önlem alınması gerektiği değerlendirilmiştir.

Çalışmada, metal imalat sektöründe faaliyet gösteren 5 firmanın yapılan risk analizleri incelenmiş, ele alınan riskler 5 ana faktör ve bunlara bağlı 18 alt faktör altında gruplandırılmıştır. Uygulanan bir soru formu ile sektörde çalışan 12 uzmanın görüşüne başvurulmuş, 1-9 skalası ile bu faktörleri karşılaştırarak puanlamaları istenmiştir. Uzman görüşlerinden gelen puanlar Expert Choice yazılımı kullanılarak faktör/alt faktör ağırlıkları hesaplamada kullanılmıştır. Faktör ağırlıkları ile firmaların ilgili risk puanlarının çarpımı sonucunda ana faktör ve alt faktörlere ait risklerin global puanları elde edilmiş ve 5 firmanın risk seviyeleri hesaplanmıştır.

Ana faktörlerin ağırlıklarına bakıldığında 0,293 oranında “Emniyet-Güvenlik” faktörü ve alt faktörlerde ise 0,49 oranı ile “Periyodik Sağlık Kontrolleri” faktörü öne çıkmıştır. Ana faktörlerin firmalara göre global puanları toplamında 1375,80 puanla “Eğitim” faktörü ilk sırada yer almaktadır. Firma bazında değerlendirdiğimizde ise kesici takım imalatı yapan, talaşlı imalat, taşlama ve ısıl işlem faaliyetlerinin bulunduğu firma 1103,09 puan ile en riskli tesis olmuştur.

Anahtar kelimeler: Metal İmalat Sektörü, İş Sağlığı, İşgüvenliği

**MAS INTERNATIONAL EUROPEAN CONFERENCE ON
MATHEMATICS-ENGINEERING-NATURAL & MEDICAL SCIENCES-XII**

**THE ROLE OF “MEDICAL SOCIAL WORKER” IN CARDIO VASCULAR
THORACIC SURGERY**

Dr. Viney Dhiman

Medical Social Worker, Post Graduate Institute of Medical Education & Research,
Chandigarh (India).

Dr. Anupama Bharti

Assistant Professor, Department of Sociology & Social Work, Himachal Pradesh
University, Shimla (India)

Abstract

Cardiovascular system is relating to the circulatory system of human body, which comprises the heart and blood vessels and carries nutrients and oxygen to the tissues of the body and removes carbon dioxide and other wastes from them. It plays an important role in helping the human body to meet the demands of activity, exercise, including maintains body temperature and stress. Captivatingly, by reason of some dysfunctional in body function lead to cardiovascular disease that especially involve narrowed or blocked blood vessels that can make cause to a heart attack, chest pain or stroke too. And Cardiothoracic Vascular surgery is related with surgery of thorax which entails with great complications somehow. Work carried out by trained personnel with the aim of alleviating the conditions of those people in a community suffering from any disease that personnel factually Social worker particularly who engage in medical practice. Supplementary, Medical Social Worker can perform their appreciable role in pre-operative stage, at operative stage, post-operative stage, at managing post-operative outcomes and notwithstanding retraction in pre-position of thoracic surgery of patient who unusually effected from cardiovascular disease. In this paper attempt has been made to analyses role of Social Worker in thoracic surgery. The present paper has been portrayed in two parts, parts one related with general description and part II related with specialized approach.

Keywords: Medical Social Worker, Cardio Vascular, Thoracic Surgery

**MAS INTERNATIONAL EUROPEAN CONFERENCE ON
MATHEMATICS-ENGINEERING-NATURAL & MEDICAL SCIENCES-XII
KNOWLEDGE AND AWARENESS AMONG THE MEDICAL STUDENTS ABOUT
RECEIVING HBV VACCINE ALONG WITH EPI**

**Md.Rezwanul Haque CHOWDHURY
Dr. Mushtary Momotuj MIMI
Miratul TAYEBA BRINTA
MD. INZAMAM-UL-ISLAM**

Abstract

Hepatitis is one of the alarming communicable disease in the world which is spread through the blood, semen, saliva of an infected person. The agent is Hepatitis-B virus which is a DNA virus family of Hepadnaviridae.

Hepatitis-B is a preventable disease by vaccination and has total four doses (first or initial dose, one and two months later from first dose and the last dose is taken after 1 year from initial dose which is named as Booster dose). In EPI schedule total six vaccine preventable diseases namely measles, tetanus, polio, diphtheria, pertussis and tuberculosis are covered where hepatitis is not included.

A cross sectional study was conducted among the medical students of northern Bangladesh in January, 2020 using a pretested self administered structured questionnaire. ² test was used to identify the knowledge about hepatitis and awareness of taking HBV vaccine.

Total 502 medical students from different medical colleges under MBBS and BDS course participated. Among them 50.6% was male and 40.4% was female and 74.1% was from town and 25.5% was from village. From all participants 57.37% was vaccinated with full dose completed, 26.29% didn't complete dose (Booster dose) and 13.15% never received vaccine. From the Unvaccinated persons 16.33% didn't know about the organisation from where vaccine is received and who knew about the organisation from where vaccine can take, more than 90% mentioned the name of SHANDHANI (A free blood donating and vaccination organisation). Along with HBV vaccination 53.78% could mention that they also completed EPI schedule, 20.32% couldn't remember and 23.9% didn't complete EPI. Before taking vaccine 64.94% was go through screening procedure and 15.54% didn't know about screening.

From our study we can say that we need more awareness for taking vaccine and government should include HBV in EPI. And also need to organise awareness program among the community people and students of all sectors.

Keywords: Knowledge, Awareness, Medical Students, Hbv Vaccine Along

COVID-19 SALGINININ YAŞLILARIN RUH SAĞLIĞI ÜZERİNDEKİ ETKİSİ

Uzm. Dr. Burcu KORKUT
Karabük Toplum Sağlığı Merkezi

Özet

Çin’de başlayıp kısa sürede bütün dünyayı etkileyen COVID-19 salgını, yüksek ölüm oranlarının yanında önemli ölçüde psikolojik sorunlara neden olmuştur. COVID-19’un belirsizliği ve düşük öngörülebilirliği bireylerin hem fiziksel hem de ruhsal sağlığını tehdit etmektedir. COVID-19 hastalığına yakalanıp 65 yaş üzerinde olan kişiler hayatlarını tehdit eden sağlık komplikasyonları açısından büyük risk altındadırlar. Diğer taraftan salgın, yaşlılar üzerinde ciddi psikolojik sorunlara yol açmaktadır. Tüm yaş grupları COVID-19 hastalığına yakalanma riski altında olmakla birlikte, 65 yaş ve üstü bireylerin hastalığa yakalanma ve ölüm riski daha yüksektir. Bu çalışmanın amacı, COVID-19’un yaşlıların ruh sağlığı üzerindeki etkilerini araştırmak, politika yapıcıların eyleme geçirilebilir politikalar geliştirmelerine ve klinik uygulayıcıların yaşlılara zamanında hizmet sunmasına yardımcı olmaktır. COVID-19’un karantina altındaki yaşlılar üzerindeki psikolojik etkilerinin incelendiği bu çalışmada, pek çok elektronik veri tabanı incelenerek yürütülen çalışmalar gözden geçirilmiş ve derleme şeklinde sözlü bildiri hazırlanmıştır. COVID-19, yaşlılar için yüksek ölüm oranlarının yanında psikolojik olarak çok fazla olumsuz etkiye sahiptir. Yaşlılarda sosyal izolasyon; kalp-damar hastalıkları, otoimmünite, nörokognitif ve ruh sağlığı problemleri riskinin artmasına neden olduğu için “ciddi bir sağlık sorunu” haline gelmektedir. Sosyal bağlantıları kopan yaşlılar, depresyon ve anksiyete riski altındadır. Aileleri veya yakın arkadaşları olmayan, yalnız yaşayan ve gönüllü hizmetlerin veya sosyal bakımın desteğini alan yaşlı bireylerde COVID-19’un psikolojik etkilerinin daha ağır olduğu saptanmıştır. Sonuçta; COVID-19’un sağlık komplikasyonları açısından yaşlılar büyük risk altındadır. Araştırma sonuçları yaşlıların salgın sebebiyle endişe, depresyon, öfke ve sosyal risklere duyarlılık gibi olumsuz duygularının arttığını göstermiştir. Bilim dünyasında ve alanyazında COVID-19 ile ilgili güvenilir veri ihtiyacının olduğu görülmüştür. Mevcut çalışmalar, salgın sırasında yaşlıların psikolojik durumlarındaki kısa vadeli değişikliklerle ilgili bilgi boşluğuna katkıda bulunmaktadır. Çalışma; politika yapıcılara COVID-19’a karşı etkili bir şekilde mücadele etme konusunda referanslar sağlayabilir ve klinik uygulayıcılarını yaşlılar için terapi temelleri sağlamaya hazırlayabilir.

Anahtar kelimeler: COVID-19, Salgın Hastalık, Yaşlı Ruh Sağlığı

**THE EFFECTS OF COVID-19 PANDEMIC ON THE MENTAL HEALTH OF THE
ELDERLY**

Abstract

COVID-19 pandemic, which started in China and has affected the whole world in a short time, has had significant psychological results besides high mortality rates. The uncertainty and low predictability of COVID-19 not only threatens physical health but also affects people’s mental health. Among people with COVID-19, those over the age of 65 are at high risk for severe or life-threatening health complications that may require medical attention. The

pandemic causes serious psychological problems for the elderly. While all age groups are at risk of carrying COVID-19, the elderly are at higher risk of death and serious illnesses. The study aims to investigate the impacts of COVID-19 on the mental health of the elderly in an attempt to help policymakers develop actionable policies and to provide clinical practitioners with service to the elderly. In this study, in which the psychological effects of COVID-19 on older adults that are in quarantine were examined, and several electronic databases were searched, and relevant studies were reviewed. COVID-19 has high psychological adverse effects besides high mortality rates for the elderly. Social isolation of the elderly turns into a “serious health problem” due to the increased risk of cardiovascular diseases, autoimmunity, neurocognitive, and mental health problems. Older adults who do not have social connections are at risk of depression and anxiety. The psychological effects of COVID-19 are more severe on the elderly who do not have families or close friends, live alone and receive the support of voluntary services or social care. The results of the research showed that older adults’s negative feelings such as anxiety, depression, anger, and sensitivity to social risks increased due to the pandemic. The need for reliable data on COVID-19 has been growing in the scientific world and literature. The results contribute to the information gap regarding short-term changes in the psychological status of the elderly during the pandemic. The study can provide policymakers with references to effectively tackle COVID-19 and prepare clinical practitioners to provide therapy basics for the elderly.

Keywords: COVID-19, Pandemic, The Mental Health of the Elderly

**COVID-19 PANDEMİSİNDE YOĞUN BAKIM ÇALIŞANLARININ
ANKSİYETE DÜZEYİNİN DEĞERLENDİRİLMESİ**

Hakan Dal

Esra Sultan Karabulut Keklik

Uşak Eğitim ve Araştırma Hastanesi

Özet

Koronavirüs hastalığının (COVID-19) ortaya çıkması sonrası, hastalığın tedavisinde rol alan sağlık çalışanlarının maruziyet ve hastalanma riskleri artmaktadır. Dünyanın her yerinden görevleri sırasında hastalanarak COVID-19 nedeniyle hayatını kaybeden sağlık çalışanlarının haberleri bildirilmektedir. Bu durum sağlık personellerinde psikolojik sıkıntılara yol açmıştır. Bu çalışmada COVID-19 salgını sırasında riskli alanda görev yapan yoğun bakım çalışanlarının anksiyete durumunu araştırmayı ve hastanelerdeki sağlık personeli arasındaki sosyal psikolojik faktörleri doğrulamayı amaçladık. Araştırmaya yoğun bakımlarda görev yapan ve çalışmaya katılmayı kabul eden 106 çalışan dahil edildi. Ankete katılan 106 kişi, pandemi yoğun bakımda çalışanlar (Grup pandemi, n=51) ve diğer yoğun bakımda çalışanlar (Grup diğer, n=55) olmak üzere 2 gruba ayrıldı ve STAI (State- Trait Anxiety Inventory= Durumluluk-Süreklilik Kaygı Ölçeği) Anksiyete Depresyon Ölçeği kullanılarak anksiyete ve depresyon düzeyleri ile sosyodemografik özelliklerin ilişkisi değerlendirildi. Pandemi ve diğer yoğun bakım çalışanlarının STAI-I ve STAI-II kaygı ölçeği skorları bakımından karşılaştırılmalarında Pandemi grubu istatistiksel olarak anlamlı derecede yüksek kaygı ortalamasına sahiptir (sırasıyla $p<0.01$, $p<0.05$). Pandemi grubunda erkeklerin kaygı skorları kadınlara göre istatistiksel olarak anlamlı derecede yüksek bulunmuştur ($p<0.05$). STAI-I ve II’de 1-10 yıldır çalışanların kaygı skorunun, istatistiksel olarak anlamlı derecede 11-20 ve 21 ve üzeri yıldır çalışanlardan yüksek olduğu görülmüştür ($p<0.05$).

Çalışmamız, COVID-19 salgını sırasında pandemi yoğun bakımda çalışan sağlık personelinin STAI anksiyete skorlarının daha yüksek olduğunu bulmuştur. COVID-19 süreci yoğun bakım çalışanları örnekleminde sağlık çalışanların da psikolojik sıkıntılara yol açmıştır. Sağlık çalışanlarına psikolojik destek verilmesi, bilgilendirilmesi ve psikolojik durumlarının denetlenmesi çok önemlidir.

Anahtar kelimeler: Covid-19, anksiyete, yoğun bakım ünitesi, STAI.

**ASSESSMENT OF ANXIETY IN HEALTHCARE PROVIDERS WORKING IN ICU
DURING COVID-19 PANDEMICS**

Abstract

After onset of coronavirus disease (COVID-19), the risk for exposure or having the disease is increased among healthcare providers involved in the treatment of the disease. There are reports of healthcare providers died due to COVID-19 disease who became ill during work. This resulted in psychological distress in healthcare providers. In this study, we aimed to investigate anxiety in healthcare providers working at intensive care units, considered as an area at highest risk, and to confirm social psychological factors among healthcare providers working in hospitals. The study included 106 healthcare providers working in intensive care unit who accepted participation to the survey. The healthcare providers responded to survey

MAS INTERNATIONAL EUROPEAN CONFERENCE ON MATHEMATICS-ENGINEERING-NATURAL & MEDICAL SCIENCES-XII

were stratified into 2 groups as those working in pandemic intensive care unit (pandemic group; n=55) and those working in remaining intensive care units (others; n=51). The relationship between sociodemographic characteristics and levels of anxiety and depression was evaluated using State-Trait Anxiety Inventory (STAI). It was found that mean anxiety level was significantly higher in pandemic group when STAI-I and STAI-II anxiety scores were compared between healthcare providers working in pandemic ICU and other ICUs (respectively $P<0.01$, $p<0.05$). However, it was seen that healthcare providers with work experience of 1-10 years had higher mean anxiety level in STAI-II scale. It was also seen that anxiety score was significantly higher in those with work experience of 1-10 years when compared to those work experience of 11-20 years or ≥ 21 years ($p<0.05$).

Our study showed that STAI anxiety scores were higher in healthcare providers working in pandemic ICU during COVID-19 outbreak. The COVID-19 period has led psychological problems in healthcare providers working in ICU. It is important to provide psychological support and information, and to monitor psychological status in healthcare providers.

Key words: COVID 19, anxiety, intensive care unit, STAI

MUSLIM WOMEN IN INDIAN SOCIETY: THEIR CRITICAL ANALYSIS

HAYAT AHAMAD

Department of Sociology
Banaras Hindu University, Varanasi
Uttar Pradesh, India

“Women and men are equal in the Holy Quran”

(Quran, 4:124)

“Women and men are equal under our Constitution”

(Article, 15)

Abstract

Muslims occupy an important position in Indian society. They are the principal minority of this country. According to 2011 census, Muslims constituted 14.23% of India's total population with majority. Women empowerment is a contemporary issue for developing countries like India. It is assumed that the development of Muslim society has sustained a setback due to various factors of which the 'Invisible' role and 'Marginal' social position of women in dynamics of Muslim society is very important. The rates of women empowerment are in a vulnerable condition within the largest Muslim minority. Lack of social opportunities for Muslim women is a crucial issue needing urgent Action. This paper attempts to present a critical analysis of the socio-economic status of Muslim women in India. It concludes that minorities in the minority i.e. Muslim women are still forced to live a secluded and submissive life. According to the Sachar Committee report Muslim women are among the poorest, educationally disenfranchised, economically vulnerable, politically marginalized group in the country. However, the Supreme Court of India has declared the applicability of secular law over Muslims in Shah Bano's case but still personal law is continuing itself violating constitutional injunctions of equality and freedom from discrimination. Fundamentalists of Islam are needed to wake up and put robust efforts to bring Muslim women in mainstream by implementing the various laws and schemes framed for them in a (Verma saumya,2019) proper way.

Keyword:Socio-economic, Identity, Suffering, Gender justice, Empowerment

Introduction

The population of the followers of Muslim religion in India, largest democratic country of world, is about 172 million at present, which is third largest after Indonesia and Pakistan. In India Muslims, are the second largest population after the Hindus and create a minority (Nirmala, Rahil 2012) category. In modern day India, the socio-economic status of women in Muslim communities, along with their political participation ratio and the need for legal reform, are causes for concern and need attention. This point cannot be overstated in a context where, in 2006, the Sachar Committee instituted by the government, declared Muslims as a 'backward' community in India. A central feature of this 'backwardness' is the appalling educational and socio-economic status of Muslims in India, particularly Muslim women. According to the 2011 there are over 48.7 percent Muslim women (Sachar 2006) in India. The percentage is similar

MAS INTERNATIONAL EUROPEAN CONFERENCE ON MATHEMATICS-ENGINEERING-NATURAL & MEDICAL SCIENCES-XII

in Muslim which is second largest religious group in the country. Still Muslim women that the majority are among the most disadvantaged, economically impoverished, and politically marginalized sections of the Indian society. These studies suggest that, like other women, Muslim women too are not homogeneous, and are differentiated along the fault-lines of class, caste, community, and region. Zoya Hasan and Ritu Menon ("Unequal Citizens: Muslim women in India") presents the results of a national survey covering around 10,000 Muslim and Hindu women. Of course there are some easily predictable conclusions, especially with respect to economic status. One of the standard assumptions about Muslim women is that religion prevents them from getting more equal access to education. It is certainly true that Muslim women are more likely to be illiterate than Hindu women (in the survey, 59 per cent had never attended school and less than 10 per cent had completed school). However, the study shows that this is essentially the result of low socio economic status, rather than (Zoya, Menon 2004) religion. In terms of domestic violence - which is widely recognized to be increasing in India - the incidence cuts across caste, class and community. The survey finds that over 50 per cent of the reported violence (which may of course be different from the actual incidence of violence) is among Scheduled Castes and Scheduled Tribes households, who also happen to be the poorest of the poor. Muslim women come in third (after Other Backward Castes) at 18 percent. What is possibly more significant is that husbands were identified as the primary perpetrators in more than 80 per cent of cases (Jayanti Ghosh, 2004). Dr. Mandakini Pant, also of the SNTD Women's University, Mumbai, presented an interesting paper on the Bandheria of Jaipur. These are a group of Muslim women, belonging largely to the Kaimkhani Rajput Muslim community, who depend for their livelihood on tying knots in cloths for the tie-and-die handicrafts industry. These women, she pointed out, are desperately poor and, having little bargaining power, are at the mercy of unscrupulous middle-men who pay them just (Pant mandakini 2005) a pittance. However, the perception that Muslim women's social status in India can be ascribed to a certain intrinsic, Muslim obscurantism coupled with Hindu right-wing prejudice made the possibility of Muslim women raising their concerns harder still, as was seen during the passage of the Muslim Women's Bill in 1986. The Bill subordinated the rights of Muslim women to the demands of community identity, denying them their constitutional rights as Indian citizens. The issue was simultaneously used by the Hindu right-wing to incite anti-Muslim (Tabassum, Mohan 2006) prejudice. In modern-day India, the socio-economic status of women in Muslim communities, along with their political participation rates and the need for legal reform, are causes for concern and need attention. The impoverished status of a large number of Muslim women in India underlines the urgency for further inquiry in this area and also the need for active intervention by state agencies to implement policies to redress this imbalance - and ensure Muslim women's full and equal participation as Indian citizens. Muslim women in India need to participate in the contemporary debate on Islam and women's rights. It is imperative for Indian Muslim women to reclaim their right to religious knowledge, enter the discourse on the Shari'a and challenge their historic marginalization from religious knowledge as well its discriminatory (Kazi seema 1999) interpretations.

Question of Identity

Social change is bound to meet with great resistance in India where functional literacy is so poor, let alone advanced education among substantial proportions of population. Traditions are still very strong. Take child marriage, for example. The state of Rajasthan is notorious for

it. Every year, thousands of child marriage, take place despite a law to the contrary and exposure in the media. Recently when a 'sathin' (a female health worker) in Rajasthan objected child marriage in her village she was brutally assaulted and raped by the village notables and despite a great deal of effort by many women's organizations, the culprits could not even be arrested, let alone be punished. Even the campaign in the media did not succeed in this (Nrendra, Pritam, Madhu, Mahesh 1992) respect. All the fundamentalist movements, Hindu, Muslim, Sikh or Christian, frown upon women's liberty and want to send them back to their home and hearth. In fact, it is often seen that the question of caste and communal identity, becomes intimately related to women's rights. The question of Muslim Personal Law has also become an issue of Muslim identity in India. Many Muslims, perhaps lakes of them, joined the Shah Bano movement more concerned with their Islamic identity than the immutable-divine laws. Any change in the Muslim Personal Law is opposed mainly on the ground of Muslim identity. Changes in other spheres-not related to male domination-are easier to admit. These changes perhaps do not put caste or communal identity to such (Razia Patel 2009) grave peril. However, even slight changes in women-related laws do. The whole question of change in Muslim Personal Law in India has become identity-related. It should also be kept in mind that the changes being demanded in Muslim Personal Law are intimately connected with women's rights, polygamy and divorce. It is not merely coincidental. Muniza Khan, who conducted a survey of 25 educated Muslim women in Benares, found that though these Muslim women resented the law relating to polygamy and triple divorce, they did not favor any change on the grounds of Muslim identity. Muslim women too participated in the Shahbano movement (Muniza Khan 1993) in not insignificant numbers to protect the Muslim identity. Only those Muslim women committed to the concept of sexual equality-a tiny minority after all-opposed any change in the Criminal Procedure Code to exempt the Muslim women from its application. The argument here is not that identity is not important. No community in a pluralist society like that of India can sacrifice its religious-cultural identity. However, it should not be hinged on the question of women's social (Rosieda 1995) status. The Muslim Women (Protection of Rights on Divorce) Act has made their plight more miserable as they cannot get any succor from the Wakf Boards who have no money. In many cases parents or relatives are also unable to support them. Often the 'mehr' amount is a pittance-in some cases as little as Rs 500,0 or 100,00. In many cases the divorcees have children too. The divorced woman has no defense (Engineer Ali Asghar 1994) whatsoever. Thus, the identities a woman "chooses" for herself (i.e. what she will be, how she will behave, her interaction within the family, and, with respect to the outside, her life occupation, etc.) are all determined by the boundaries of the legal/social space defined for her in her society, and each discriminatory measure reduces the quantum of autonomy she can exercise' Hence, our main concern would be why the question of religious/community identity and women's rights has been a central issue for Muslims in so many parts of the world? Does the importance of Muslim women's interests and rights necessarily have to recede whenever the interest/identity of the community is under attack. Because of issues as they have unfolded in India and which have directly impacted the rights of Indian Muslim women and their struggle for a gender (Hussain Sabiha 2006) just law.

Muslim Women and their Suffering

MAS INTERNATIONAL EUROPEAN CONFERENCE ON MATHEMATICS-ENGINEERING-NATURAL & MEDICAL SCIENCES-XII

The position of women in society and their role is true index of its cultural and spiritual attainments, and the evolution of values and their status is the measuring rod in assessing the standers of culture in any age and the best indicator of a nation's progress. In India many positive change have taken place in the role and status of women. They are contributing in even aspect of national and social life but no transformation has taken place in the case of Muslim women. They still lag far behind counterparts from other religious. In the years 2001, which has been declared as the year for the empowerment of women, the study of Muslim women assumes great importance. For discussing the position and status of Muslim women it becomes imperative to take a glimpse into the position of women in pre Islamic Arabia: At the time they were treated as chattels of men. Polygamy was rampant. The eldest son used to inherit all the wives of his father except his own other. Women are not free agents in marriage. Dowry used to be the sale price given to the guardian of the bride. Women had no right of inheritance; the kinds of marriages prevalent were nothing short of positions. Men used to divorce their wives at their whim and fancy; take them back and divorce them again and again take them back. This kind of suspensory divorce prevented women from getting remarried. The most ironical part of the whole thing is that in India, most of the Muslim do not have any idea about the 'ahsan' and 'hasan' forms of talaq, about the stand on polygamy despite claiming to have read to Holy Quran, but the fact is that we make our children cram it as we have been made to do and think that our duty is over. We do not bother to read the translation of the Holy Quran, because, if we do so, all the evils the distorted practices which have come to be attached to this religion, shall vanish. In India the irony is not the religion of practices but the minority status of Muslim women. Their status is neither protected by the (Dr. ram,s,2015) government nor by the community. It is true that Islamic countries have modernized many laws related to economy, education, commerce, and politics and so on but there is practically no forward movement in the status of women. When it comes to women's rights, religion and theology are invoked. Laws pertaining to the public domain are governed more by secular considerations, but the laws governing personal and family matters (private domain) are still regulated by interlocking of religion with law and customs which give little space to women in private domains.

Muslim women's struggle for gender justice: the present scenario

The road from 1986 to the present has mirrored this basic tension. The ascendance of the Hindu Right wing party's propaganda supposedly on behalf of Muslim Women has caused minority and women's groups to actually temper their anger over the discrimination of women in Muslim personal Law, while Muslim conservative groups have become more steadfast in its defense. This can be seen in the recent campaign for establishing and strengthening Shariat courts for resolving the matrimonial issues by the All India Muslim Personal Law Board. It may also be seen in the increase in religious decree (FATWA) such as putting a ban on Muslim women from contesting elections; the tennis star Sania Mirza who was instructed by a Fatwa to dress herself according to "Islamic norms"; and The recent Fatwa declaring DNA testing Un-Islamic by the clerics would further enhance the social and economic problems of Muslim women (NDTV, India, 30th October, 2006). The Fatwas of these self-appointed guardians of Muslim conduct seem to keep Muslim women in a state of permanent subordination and imposing a regressive social agenda on the entire community. At the same time the government uses these conservative forces for political purpose particularly for vote-bank. For instance, in

MAS INTERNATIONAL EUROPEAN CONFERENCE ON MATHEMATICS-ENGINEERING-NATURAL & MEDICAL SCIENCES-XII

Uttar Pradesh Chief Minister, Mulayam Singh Yadav, on the fatwa of Imrana suggested that the clerics in Muzaffarnagar, should not be questioned. In a way this is a replay of the government stance taken in the case of Shah Bano and the passing of 1986 Act which had excluded divorced/ destitute Muslim women from claiming maintenance under secular provision of the Constitution. Perhaps the more important question is whether the attempt and advocacy of the All India Muslim personal Law Board, and the role of Islamic seminary in giving Fatwas and their campaign, to establish parallel (Islamic) judicial system (Nizam-ul qazi), for solving matrimonial disputes not going to deprive women of their citizenship rights? Further, it is yet unclear as to whether the Constitution permits “concurrent jurisdiction” i.e. both secular courts and “the pseudo-judicial system set up by the clergy of religious communities,” in matters relating to matrimonial disputes governed by the personal law established under the Constitution (as various Article 226, 227, 32 and 136 of the Constitution permits all its citizens a right to approach the High and supreme courts to mitigate their grievances). leaders/ institutions marginalizing women in their access to citizenship rights, and thus doing more harm to the community; The answer to these questions has to be drawn out of the broader social and historical context, that determine the attitudes/feelings and behavior of the community. Muslims of India till date are in a state of insecurity, poverty and carry the blame of partition. On the one hand the frequent experiences of communal riots resulting in a major social and economic loss of the community, and on the other hand the shrill campaign against Muslims by the Hindu right wing in the form of communal speeches, desecration of Mosques and Shrines, tragedy of Babri Mosque, replacement of Muslim names by Hindus, politics of discrimination and exclusion and adverse propaganda against Islam in text books and so on, hurts the sentiments of Muslim community. This in turn puts pressure on the community to cling more to their religious/community identity, which has an adverse impact on women and their struggle/demand for gender just law.

Conclusion

Muslim women’s exclusion from the Indian mainstream negatively impacts their sense of citizenship and their ability to exercise their rights. This marginalization not only affects the status of Muslim women, it is also contrary to the promise of a multi-ethnic and diverse Indian democracy. Targeted interventions, both in policy and practice, are needed to empower women to access their citizen rights and bring them closer to the democratic mainstream. Muslim women with an entry point to mainstream society, while also sensitizing the mainstream to Muslim women as integral to India’s national identity. Issue of Muslim women, as highlighted through this case study, are definitely a complex subject and are further complicated by the interlocking of traditional customs, values, and beliefs into ethnically defined or geographically specific frameworks outlining the parameters of their identity and rights. Despite the changes in social structure brought about by the forces of urbanization and industrialization, conservative forces try to enforce a very restrictive roles and codes of behavior for women according to their interpretation of Islamic law. Influence of Muslim fundamentalists over their evolution and application, are increasingly affecting women's lives, their legal rights and traditional practices as well as limiting women's organizations, in defining the parameters of their struggles and their strategies. The Islamic resurgence that has engulfed most Muslim countries today has thrown forth different levels of tension and competing ideologies such as

what is Islam and whose Islam is the right Islam? Very often, it is the status and the rights of women that have become the first victim in this battleground. It is therefore not surprising that in these countries, women's groups are at the forefront in challenging traditional religious figures of authority and Islamist extremists and their use of religion to justify women's subordination and inferior status, and most perniciously, to use religion to silence any dissent. The recent incidents of 'honour killings' in Pakistan and Bangladesh have left most women asking 'Why women's individuality and their rights in matrimonial matters are denied? In Afghanistan, women have been shot to death for appearing in public with a male other than their husband, brother or son, women have acid thrown on their faces for not covering it well enough and so on clearly indicates how Islam is used to deprive women of their rights in a Muslim country. As far as Muslim women in India and their struggle for gender justice is concerned, the movement has been ongoing in small but in significant ways. For instance, the uproar by women's groups and Muslim women raising their voices against the Fatwa (decree) in the Imrana case and the way they pressurized the Dar-ulUloom Deoband, into its backtracking, did illustrate the importance of women speaking up and challenging conservative forces. Further, the Formation of an All India Muslim Women Personal Law Board and their demand for reforms in personal law within Islamic framework along with other Muslim women's organizations, in fact indicates women's awareness and struggle for their rights. Muslim women in India need to challenge the dominant patriarchal attitudes of the conservatives and political parties and show solidarity with the groups who are working for women's rights. They need to work with the moderate forces from within the community to evolve a strategy for making reforms in Personal Law as well as put a pressure on the government to amend the law by putting women's rights issue in the centre, and to consult women's organizations, ulemas and other law making authority.

Reference

1. Verma saumya,(2019).Muslim women in India: A struggle for dignified existence. Amity international journal of juridical science. Vol.5.
2. Singh nirmala, Ahmed rahil,(2012). Muslim women and human rights. The Indian journal of political science. Vol.73.no.1.
3. Hasan zoya and Menon ritu (2004).Unequal Citizens: Muslim women in India. Published in India by oxford university press, New Delhi.
4. Pant mandakini, (2005). Home based women workers in urbansethin: A Sociological study of Tie Dye workers in jaipur city. Ph.d. Thesis.
5. Tabassum suraiya, Mohan vasu, (2016). Seher: A New Dawn Breaks. Published by International foundation for electoral systems.
6. Narendra, Pritam, Madhu and Mahesh, (1992). Health of women and children in Rajasthan. Economic and Political Weekly. Vol.27. No.42.
7. Patel razia, (2009). Indian Muslim women: Politics of Muslim personal law and struggle for life with dignity and justice. Economic and Political Weekly. Vol.44. No.44.
8. Dr. Ram S. (2015). Encyclopedia of women and social change. Commonwealth publication New Delhi. Vol. 1.
9. Engineer Ali Asghar, (1994). Status of Muslim women. Economic and Political Weekly. Vol.29. No.6.

**MAS INTERNATIONAL EUROPEAN CONFERENCE ON
MATHEMATICS-ENGINEERING-NATURAL & MEDICAL SCIENCES-XII**

10. Saeed Shahbaz, M. (2005). Status of Muslim women in India. Published by: Institute of strategic studies Islamabad. Vol.25. No.3.
11. Khan muniza, (1993). Socio-legal status of Muslim women. Published by Sangam books london.
12. Shabodien rosieda, (1995). Agenda empowering women for gender equality. Published by Taylor&Fransis, Ltd.
13. Sachar Committee Report (2006).
14. India Census Report (2011).
15. NDTV, India, 30th October, (2006).

**MAS INTERNATIONAL EUROPEAN CONFERENCE ON
MATHEMATICS-ENGINEERING-NATURAL & MEDICAL SCIENCES-XII**

**INTEGRATING GENDER AND NUTRITION WITHIN AGRICULTURAL
EXTENSION AND ADVISORY SERVICES**

**Balamurugan V^{1*},
Arunkumar R²
A. Aravindh³**

¹M.Sc.(Ag.) Agricultural Extension, Faculty of Agriculture, Annamalai University.

²M.Sc.(Ag.) Agricultural Extension, Faculty of Agriculture, Annamalai University.

³M.Sc.(Ag.) Agricultural Microbiology, Faculty of Agriculture, Annamalai University.

Abstract

A view of sexual orientation is profoundly established in our general public, contrast widely inside and among societies, and change after some time. Be that as it may, in all societies, sexual orientation decides force and assets. What's more, on account of provincial territories, imbalances among people in their entrance to beneficial assets, administrations and openings, for example, land, animals, budgetary administrations and training is one of the reasons for underperformance in the farming sector, and contribute to deficiencies in food and nutrition security, economic growth and overall development. Agriculture is the single largest employer in the world, providing livelihood for 40% of today's global population. Putting resources into smallholder farmers is a significant method to expand food security and sustenance for the least fortunate, just as food creation for nearby and worldwide markets. Rural Extension Services can help provincial networks to become gender responsive, nourishment delicate and, by surveying and reacting to the necessities of the two people ranchers, fabricate progressively vigorous organizations, activities and projects. They can likewise make approaches in country family units to expel sex obstructions by spreading sex proper and nourishment upgrading advances to improve wholesome mal-practices. Several innovative approaches were identified such as 'katori' method, sustainable extension model, and multidisciplinary PPP model, even though lack of sensitised manpower and myths regarding food habits are critical challenges in rural areas.

Keywords: Gender, Rural extension Services, Food and Nutrition.

**ÜNİVERSİTE ÖĞRENCİLERİNİN ARI ÜRÜNLERİNİ TANIMA DURUMU VE
KULLANIM ALIŞKANLIKLARININ BELİRLENMESİ**

Özlem SARAL

Ayten YILMAZ YAVUZ

Recep Tayyip Erdoğan Üniversitesi

Özet

Beslenme alışkanlığı ailede başlar fakat üniversite döneminde gençler bulunduğu şehrin yemek kültürü, kaldığı ortam (yurt, ev vs.) ve arkadaş çevresi ile beslenme davranışını değiştirebilir (Kartal ve ark., 2017). Arı deyince akla ilk gelen bal olsa da arılar sağlık ve beslenme açısından önemli yere sahip farklı arı ürünleri (polen, propolis, arı sütü, arı zehiri, bal mumu) de üretirler. Yapılan çalışmalar da bu arı ürünlerinin antioksidan, antimikrobiyal, antikanserojen olduğunu göstermektedir (Saral et al., 2016). Halk arasında polen, propolis ve arı sütü bağışıklık güçlendirici, bal yara iyileştirici ve arı zehiri inflamatuvar hastalıklarda ağrı giderici olarak kullanılmaktadır (Onbaşı ve ark., 2019).

Çalışmamızın amacı üniversite gençleri arasında beslenme ve sağlık açısından önemli yere sahip arı ürünlerini tanıma ve kullanım sıklıklarını değerlendirmektir. Çalışmamızın evrenini Rize’de bulunan bir üniversitedeki 2018-2019 yıllarında öğrenim gören öğrenciler oluşturmaktadır. Araştırmamıza toplam 641 öğrenci katılmıştır. Öğrencilerden e-posta yolu ile anket uygulanarak veri toplanmıştır. Ankete katılan öğrencilerin yaş ortalaması %20.3 dür ve %66.1’i öğrenci yurdunda kalmaktadır. Arı ürünlerini tanıma oranlarına bakıldığında % 30.0 oranı ile en fazla balın tanındığı görülmektedir. Öğrencilerin %39.8’i arı ürünlerini satın alırken arı yetiştiricilerinden almayı tercih ettikleri bildirmişlerdir.

Üniversite öğrencileri arasında bal haricindeki farklı arı ürünlerinin tanıtılması ve bu arı ürünlerinin sağlık açısından önemini yanı sıra besleyici yönünün de anlatılması için daha fazla tanıtıma ihtiyaç vardır.

Anahtar Kelimeler: Üniversite Öğrencileri, Arı Ürünleri, Tanıma Durumu ve Kullanım Alışkanlıkları

**MAS INTERNATIONAL EUROPEAN CONFERENCE ON
MATHEMATICS-ENGINEERING-NATURAL & MEDICAL SCIENCES-XII
OSMANIYE-2005 X NC-7 ÇEŞİTLERİNİN MELEZLEMESİNDEN ELDE EDİLEN
İLERİ KADEMEDEKİ YERFISTIĞI HATLARININ (F₆) ANA ÜRÜN
KOŞULLARINDAKİ VERİM POTANSİYELLERİ İLE ÖNEMLİ TARIMSAL VE
KALİTE ÖZELLİKLERİN BELİRLENMESİ**

Dr. Halil BAKAL
University of Cukurova

Özet

Bu çalışma Çukurova Üniversitesi Ziraat Fakültesi araştırma alanında, 2019 yılında ve ana ürün koşullarında yapılmıştır. Bu araştırmanın amacı; 2014 yılında başlatılan Osmaniye-2005 x NC-7 melezleme programından elde edilen F₆ kademesindeki yerfıstığı ıslah hatlarının, Çukurova Bölgesi, ana ürün koşullarındaki verim potansiyelleri ile tarımsal ve kalite özelliklerini belirlemek amacıyla yapılmıştır. Araştırmaya konu olan denemeler tesadüf bloklar deneme desenine göre, üç tekrarlamalı olarak kurulmuştur. Araştırmada, Osmaniye-2005 x NC-7 melezlemesinden elde edilen ve pedigrisi seleksiyon yöntemine göre seçilen ve denemeye değer bulunan 14 adet ileri ıslah hattı materyal olarak kullanılmıştır. Ayrıca, Osmaniye-2005 ve NC-7 ebeveyn çeşitleri ile Halisbey (standart olarak) yerfıstığı çeşidi de denemede materyal olarak kullanılmıştır. Araştırmada denemeye alınan ileri yerfıstığı hatlarına ait bitki başına meyve sayısı ve ağırlığı, 100 tohum ağırlığı, iç oranı, meyve ve tohum verimi ile yağ ve protein oranı gibi önemli özellikler incelenmiştir.

Elde edilen sonuçlara göre; denemeye alınan yerfıstığı hatlarına ait meyve ve tohum verimi değerleri sırasıyla 4980-8041 kg/ha ve 3581-5289 kg/ha arasında değişim göstermiştir. Yerfıstığı hatları içerisinde meyve verimi ve meyve kalitesi bakımından HA-01 ve HA-10 hatlarının, ebeveynlerden ve standart olarak kullanılan Halisbey çeşidinden daha üstün özelliklere sahip oldukları gözlenmiştir. Denemelerden elde edilen sonuçlara göre belirlenen hatları ile ıslah programına ileriki yıllarda devam edilecektir.

Anahtar kelimeler: Yerfıstığı, Islah hattı, Agronomik özellik, Meyve verimi

**THE DETERMINATION OF YIELD POTENTIAL AND IMPORTANT AGRONOMIC
AND QUALITY TRAITS OF ADVANCED (F₆) PEANUT BREEDING LINES
(OSMANIYE-2005 X NC-7 CROSSING) IN MAIN CROP GROWING CONDITION**

Abstract

This study was conducted at the University of Cukurova, Faculty of Agriculture research area as a main crop in 2019 in Adana. The objective of this research was to determine the important agronomic and quality traits and yield potential of advanced breeding lines belonging to Osmaniye-2005 x NC-7 hybridization. In the experiments, 14 advanced peanut breeding lines (F₆ generation) belongs to Osmaniye-2005 x NC-7 hybridization and parents varieties (Osmaniye-2005 and NC-7) were used as plant material. The experiment was designed a randomized complete block design with three replications. In this research; pod number and pod weight per plant, 100-seed weight, shelling percentage, pod and kernel yield per hectare, the oil and protein content traits were investigated. As a result; Pod and kernel yield values of the breeding lines varied between 4980-8041 kg/ha and 3581-5289 kg/ha, respectively. HA-01 and HA-10 peanut breeding lines among the tested lines for the pod yield and pod characteristics were the higher values than parents and standard variety. This breeding program will continue by the selected lines at the future.

1. GİRİŞ

Yerfıstığı (*Arachis hypogaeae* L.) tohumları; içeriğinde bulunan yüksek orandaki yağ (%42-56), protein (%25-35) ve karbonhidrat (%18-20) ile önemli miktardaki mineral maddeler (K, Ca, Mg, Fe and Z) ve vitaminler (E, K ve B grup vitaminler) gibi değerli besin maddeleri nedeniyle, insan ve hayvan beslenmesi bakımından önemli bir besin kaynağını oluşturmaktadır.[1,2]. Dünya yerfıstığı üretiminin yaklaşık 2/3'ü bitkisel ham yağ üretiminde, geri kalan 1/3'lük kısmı ise şekerleme ve fıstık ezmesi olarak tüketilmektedir.[3].

Yerfıstığı tohumları kavru olarak çerez olarak tüketilebildiği gibi, işlenerek de değişim şekillerde kullanılmaktadır (Yerfıstığı ezmesi ve şekerlemeler halinde). Yerfıstığı, tropik ve subtropik bölgelerde yer alan, dünyanın pek çok ülkesinde başarıyla yetiştirilmektedir. 2018 yılı verilerine göre dünya yağlı tohum üretimi 574 milyon ton olup, bunun %7.3'ünü (41.9 milyon ton) yerfıstığı oluşturmaktadır. [4]. Yerfıstığı; dünya yağlı tohum üretimi bakımından soya, kolza ve ayçiçeğinden sonra dördüncü sırada yer almaktadır. Tohumunda bulunan yüksek orandaki (%44-56) yağ nedeniyle, bitkisel yağ sanayinde önemli bir yere sahiptir. 2018 yılı değerlerine göre dünya bitkisel ham yağ üretimi 195 milyon ton olup, bunun % 5.95'lik kısmı (3.1 milyon ton) yerfıstığından karşılanmaktadır [5].

Yerfıstığı bir baklagil bitkisidir. Bu nedenle, diğer baklagiller gibi, köklerinde yaşayan *Rhizobium* bakterileri sayesinde havanın serbest azotunu toprağa bağlar ve kendisinden sonra ekilecek bitkiye azot ve organik maddece zengin bir toprak bırakır. Yerfıstığında yağı çıkarıldıktan sonra geriye kalan küspe çok değerli bir hayvan yemidir. Yerfıstığı küspesinde; %45 ham protein, %24 azotsuz öz maddeler ve %5 madensel maddeler bulunmaktadır. Yaprığı besin yönünden çok değerli olup, yoncaya eşdeğer olarak kabul edilmektedir [6].

Ülkemizde yerfıstığı üretimi en fazla Akdeniz, Ege ve Güneydoğu Anadolu bölgelerinde yapılmaktadır. Bu bölgelerde yerfıstığı ana ürün (%70) ve ikinci ürün (%30) olarak yetiştirilmektedir. 2018 yılı değerlerine göre yıllık yerfıstığı üretimi 173.8 bin ton olarak gerçekleşmiştir.[7]. Son yıllarda, yerfıstığı üretiminin mekanize hale gelmesiyle, geniş alanlarda ekilmeye başlanmış ve bu nedenle de son 10 yıllık dönemde yerfıstığı üretiminde %90'lara varan oranlarda önemli artışlar olmuştur.

Yerfıstığı tarımında birim alandan yüksek verim alabilmek ve karlı bir üretim yapabilmek için; kültürel uygulamaların zamanında ve tekniğine uygun olarak yapılması yanında, bölge koşullarına uygun yüksek verimli ve üstün özelliklere sahip çeşitlerin seçilmesi büyük önem arz etmektedir. Ülkemizde çeşit geliştirme çalışmalarına ilk olarak "Akdeniz Tarımsal Araştırma Enstitüsünde" başlanılmış ve yerli popülasyonlardan, "Teksel seleksiyon" yöntemiyle Çom ve Gazipaşa çeşitleri ıslah edilmiştir. Daha sonraki yıllarda (1987) yine bu Enstitü tarafından "İntrodüksiyon" yöntemiyle NC-7 ve Florspan çeşitleri ıslah edilerek, tescil edilmiştir. Uzun yıllar ülkemizde çeşit geliştirme çalışmalarına ara verilmiş ve 1993 yılında Ç.Ü. Ziraat Fakültesi Tarla Bitkileri tarafından ülkemizdeki yerfıstığı ıslah çalışmalarına yeniden başlanmış ve önce Arıoğlu 2003 çeşidi ıslah edilmiş, daha sonraki yıllarda Osmaniye-2005, Halisbey ve Sultan çeşitleri ıslah edilerek üretime aktarılmışlardır.

Yerfıstığı tarımında kullanılan çeşitlerin yüksek verimli olmaları yanında, meyve kalitesi (ince kabuklu) ve tohum kalitesinin de iyi olması gerekmektedir. Ülkemizde üretilen yerfıstığının büyük bir kısmı (%95) çerez olarak tüketilmektedir. Bu nedenle de tohum iriliği (1000 tane ağırlığı) ve tohum kabuğu rengi tüketici tercihiğine göre değişim göstermektedir. Ayrıca, Ülkemizde yerfıstığı üretimi ana ve ikinci ürün olarak üretilmektedir. Bu nedenle ikinci

ürün olarak üretimde kullanılacak çeşitlerin erkenci olması gerekmektedir. Bu nedenle ıslah edilecek yeni çeşitlerde bu durumlar göz önünde bulundurulmalıdır. Türkiye genelinde iri tohumlu Virginia tipi yarfıstığı çeşitleri üretilmektedir. Çukurova bölgesinde yapılan yarfıstığı çeşit verim ve adaptasyon denemeleri sonunda, Virginia tipi yarfıstığı çeşitlerinin bölge koşullarında başarıyla yetişebilecekleri ortaya konmuştur [8,9,10,11,12,13,14,15,16, 17,18,19]. Bu nedenle, Çukurova bölgesinde Virginia tipi çeşitlerin ıslahı ve üretime aktarılması büyük önem arz etmektedir

Bu araştırmanın amacı 2014 yılında başlatılan melezleme programından elde edilen ileri kademedeki yarfıstığı ıslah hatlarının Çukurova bölgesi ana ürün koşullarındaki, verim potansiyelleri ile önemli tarımsal ve kalite özelliklerini belirlemektir.

2. MATERYAL VE YÖNTEM

2.1. Deneme materyali

Osmaniye-2005 x NC-7 yarfıstığı çeşitlerinin melezlenmesinden elde edilen ileri kademedeki ıslah hatlarının, verim potansiyellerini ile önemli tarımsal ve kalite özelliklerini belirlemek amacı ile yapılan bu çalışma, 2019 yılı ana ürün koşullarında yürütülmüştür. Denemelerde materyal olarak; Osmaniye-2005 x NC-7 çeşitlerinin melezlenmesinden elde edilen F6 kademesindeki 14 adet ileri yarfıstığı ıslah hattı ile Halisbey (standart), Osmaniye-2005 ve NC-7 çeşitleri kullanılmıştır. Araştırmaya konu olan denemeler; Ç.Ü. Ziraat Fakültesi, Tarla Bitkileri Bölümü deneme arazisinde, 2019 yılında ve ana ürün koşullarında yürütülmüştür. Denemeye alınan yarfıstığı hatlarına ve çeşitlere ait bazı özellikleri Çizelge 1’de verilmiştir.

Çizelge 1. Denemeye alınan yarfıstığı ıslah hatları ile bazı özellikleri

Islah hatları	Tohum kabuğu rengi	Büyüme tipi
HA-01	Saman Sarısı	Yarı Yatık
HA-02	Saman Sarısı	Yatık
HA-03	Pembe	Yarı Yatık
HA-04	Saman Sarısı	Yarı Yatık
HA-05	Saman Sarısı	Yatık
HA-06	Saman Sarısı	Yarı Yatık
HA-07	Saman Sarısı	Yatık
HA-08	Saman Sarısı	Yarı Yatık
HA-09	Saman Sarısı	Yarı Yatık
HA-10	Saman Sarısı	Yarı Yatık
HA-11	Saman Sarısı	Yarı Yatık
HA-12	Saman Sarısı	Yarı Yatık
HA-13	Saman Sarısı	Yarı Yatık
HA-14	Saman Sarısı	Yatık
OSM-2005*	Kırmızı	Yarı Yatık
NC-7*	Saman Sarısı	Yatık
HALİSBEY (std.)	Saman Sarısı	Yarı Yatık

*: ebeveyn çeşitler

2.2. Deneme Yerinin İklim ve Toprak Özellikleri

Denemenin kurulduğu topraklar Seyhan Nehrinin yan derelerinin getirdiği çok zengin alüvyonlardan oluşmuştur. Denemeni yapıldığı alana ait toprağın pH’sı 7.45 olup, genellikle hafif alkali bir özellik göstermektedir. Toprağın P₂O₅ içeriği 3.0 kg/da, K₂O içeriği ise 75.0

MAS INTERNATIONAL EUROPEAN CONFERENCE ON MATHEMATICS-ENGINEERING-NATURAL & MEDICAL SCIENCES-XII

kg/da olarak bulunmuştur. Yerfıstığı tarımı için K₂O içeriği yeterli düzeyde olup, P₂O₅ ihtiyacı gübreleme ile karşılanmıştır. Toprağın kireç içeriği % 26.0 ve organik madde içeriği ise %1.6 olarak belirlenmiştir.

Denemenin yürütüldüğü Adana ilinde Akdeniz iklimi etkili olmaktadır. Bu nedenle kışları ılık ve yağışlı, yazları sıcak ve kurak geçmektedir. Deneme süresince Adana iline ait bazı iklim değerleri Çizelge 1’de verilmiştir.

Çizelge 1. Denemenin kurulduğu Adana iline ait bazı iklim değerleri (2019 ve uzun yıllar iklim verileri)

Aylar	Ortalama sıcaklık (°C)		Toplam yağış (mm)		Nispi nem(%)	
	2019	U.Y	2019	U.Y	2019	U.Y
Nisan	17.0	17.5	61.4	51.1	67.0	60.1
Mayıs	24.1	21.7	2.6	47.1	57.6	63.2
Haziran	27.1	25.6	13.8	20.5	68.7	70.2
Temmuz	28.4	28.2	28.0	6.2	68.8	67.5
Ağustos	29.6	28.7	0.0	5.5	68.0	68.5
Eylül	27.3	26.1	0.0	17.6	62.1	65.4

U.Y: Uzun yıllar

Çizelge 1’in incelenmesinden görüleceği gibi, deneme süresince ölçülen aylık ortalama sıcaklık değerleri uzun yıllarda 17.5 °C ile 28.7 °C arasında değişirken, 2019 yılında 17.0-29.6°C arasında değişim göstermiştir. Uzun yıllar verilerine göre yetiştirme sürecine ait toplam yağış miktarı 148.0 mm iken, 2019 yılında bu yağış 105.8 mm olarak gerçekleşmiştir. Yağışın yetersiz olması nedeniyle, gereksinim duyulan miktar sulama ile karşılanmıştır. Hava nispi nemi ise deneme süresince (2019 yılında) %57.6-68.8 arasında değişim göstermiştir. Uzun yıllara göre önemli bir farklılık gözlenmemiştir. 2019 yılında etkili olan toplam yağış miktarı hariç, diğer iklim faktörleri uzun yıllar ortalamasına göre önemli bir farklılık göstermemiştir.

2.3. Araştırma Yöntemi ve Uygulama Tekniği

Araştırma Ç.Ü. Ziraat Fakültesi Tarla Bitkileri Bölümü Deneme Alanında, Tesadüf Bloklar Deneme desenine göre üç tekrarlamalı olarak kurulmuştur. Ana ürün olarak ekim yapılacak deneme arazisi pullukla sonbaharda 20-25 cm derinlikte sürülmüştür. Kışı bu şekilde geçiren toprak, ilkbaharda yüzlek olarak kültüvatör ile karıştırılmıştır. Ekim öncesi dekara 30 kg 18.46.0 DAP (5.4 kg/da N ve 13.8 kg/da P₂O₅) gübresi uygulanarak diskaro ile toprağa karıştırılmıştır. Yabancı ot kontrolü için, etkili maddesi “*Trifluralin*” olan Traflen (150 cc/da) isimli herbisit ekimden hemen önce toprağa uygulanarak karıştırılmıştır. Sonrasında deneme yerine iki defa tapan çekilerek deneme yeri ekime hazır hale getirilmiştir.

Ekim öncesi tohumlar, 100 kg tohuma 400g ilaç düşecek şekilde Pomersol Fort (%80 *Thiram*) ile ilaçlanarak, sıra arası 70 cm ve sıra üzeri 15 cm olacak şekilde, Nisan ayının ilk haftasında ekimler elle yapılmıştır. Yetiştirme süresi boyunca gerekli bakım işleri (sulama, çapalama ve ilaçlama) tekniğine uygun olarak zamanında yapılmıştır. Yetiştirme süresi içerisinde; üst gübre olarak birincisi çiçeklenme başlangıcında (20 kg/da) ve ikincisi de meyve oluşum başlangıcında (20 kg/da) olmak üzere iki defada toplamda 40 kg/da Üre (% 46 N) uygulanmıştır. Hasat öncesi, parseldeki bitkilerden örnekler alınarak, kabuk soyma yöntemine göre olgunluk durumları belirlenmiş (%60 olgunlaşma sonrası) ve Eylül ayının ikinci haftasında bitkiler elle hasat edilmişlerdir.

2.4. İncelenecek Özellikler ve Yöntemleri

Meyveler hasat olgunluğuna ulaştığında, her parselden tesadüfen 20’şer bitki hasat edilmiş ve bu bitkiler üzerinde gerekli sayım ve ölçümler yapılmıştır. Bu çalışmada; bitki başına

meyve sayısı (adet/bitki), bitki başına meyve ağırlığı (g/bitki), 100 tohum ağırlığı (g) iç oranı (%), tohum verimi (kg/ha), tohum (iç) verimi (kg/ha), yağ oranı (%) ve protein oranı (%) gibi önemli tarımsal özellikler Arıoğlu ve ark. (2013) tarafından uygulanan yöntemlere göre incelenmiş ve değerlendirilmiştir. Denemeden elde edilen değerler, JMP 8.1. istatistik paket programı kullanılarak, tesadüf bloklar deneme desenine göre varyans analizine tabi tutulmuş. Elde edilen ortalamalar arasındaki farklılıklar ise EGF ($p \leq 0.05$) testi kullanılarak değerlendirilmiştir.

3. BULGULAR ve TARTIŞMA

Denemede materyal olarak kullanılan ileri kademedeki yerfıstığı ıslah hatları ile ebeveyn (ana ve baba) olarak kullanılan çeşitlere ait elde edilen bitki başına meyve sayısı ve ağırlığı, 100 tohum ağırlığı ve iç oranı değerleri ile EGF(5)'e göre oluşan gruplar Çizelge 3'de, meyve verimi, tohum verimi (iç verimi), yağ oranı ve protein oranı değerleri ile EGF(8%)'e göre oluşan gruplar ise Çizelge 4'de verilmiştir.

3.1. Bitki Başına Meyve Sayısı ve Ağırlığı

Çizelge 3'ün incelenmesinden de görüleceği gibi denemeye alınan ıslah hatlarına ait bitki başına meyve sayısı ve ağırlığı değerleri sırası ile 23.2-35.6 adet/bitki ve 57.7-77.4 g/bitki arasında değişim göstermiştir. Bitki başına meyve sayısı ve ağırlığı değerleri bakımından denemeye alınan genotipler arasında istatistiksel olarak önemli düzeyde farklılıklar saptanmıştır. Denemeye alınan ıslah hatlarına ait ortalama meyve sayısı ve ağırlığı değerleri 29.0 adet/bitki ve 69.3 g/bitki olarak bulunmuştur. Meyve sayısı değerleri bakımından yedi ıslah hattının, ebeveyn çeşitlerden (Osmaniye-2005 ve NC-7), altı ıslah hattı ise standart olarak kullanılan Halisbey çeşidinden daha üstün değerlere sahip oldukları görülmektedir. Bitki başına meyve sayısı bakımından HA-7 (33.7 adet/bitki) ve HA-10 (35.6 adet/bitki) hatları en yüksek değerlere sahip olmuşlardır. Bitki başına meyve ağırlığı değerleri bakımından ise HA-01 (76.0 g/bitki) ve HA-10 (77.4 g/bitki) hatlarının en yüksek değerlere sahip oldukları görülmektedir. Meyve ağırlığı değerleri bakımından beş ıslah hattının, ebeveyn ve standart olarak kullanılan Halisbey çeşidinden daha yüksek değerlere sahip olmuşlardır. Bu çalışmadan elde edilen bitki başına meyve sayısı ile meyve ağırlığı değerleri, Virginia grubuna giren yerfıstığı çeşitleri ile yapılan çalışmalardan elde edilen bulgular ile benzerlik göstermektedir [15,16,17,18,19].

3.2. 100 Tohum Ağırlığı

Denemeye alınan yerfıstığı ıslah hatlarının 100 tohum ağırlığı değerleri 112.7-129.6 g arasında değişim göstermiştir. 100 tohum ağırlığı değerleri bakımından denemeye alınan genotipler arasında istatistiksel olarak önemli düzeyde farklılıklar saptanmıştır. Islah hatlarına ait ortalama 100 tohum ağırlığı değeri 116.9 g olarak hesaplanmıştır. HA-02 (129.6 g), HA-05 (122.9 g), HA-06 (120.3 g) ve HA-10 (126.2 g) hatlarına ait 100 tohum ağırlığı değerleri 120 g'ın üzerinde olmuştur. Bu hatlara ait 100 tohum ağırlığı değerleri ebeveyn çeşitlerden (105.2 ve 114.5 g) ve standart çeşitten (114.1 g) daha yüksek bulunmuştur (Çizelge 3). Özellikle HA-10 hattı 100 tohum ağırlığı değerleri bakımından en yüksek değerlere sahip olduğu için, çerez olarak tüketime çok uygun bulunmuştur. 100 Tohum ağırlığı değerleri bakımından elde edilen bulgular, Arıoğlu ve ark. (2001), Söğüt ve ark. (2002), Çalışkan ve Arıoğlu (2005), Özgören ve Arıoğlu (2015), Arıoğlu ve ark. (2016), Aşık ve ark. (2018)'in bulguları ile desteklenmektedir.

Çizelge 3. Yerfıstığı ıslah hatlarına ait elde edilen bitki başına meyve sayısı ve ağırlığı, 100 tohum ağırlığı ve iç oranı değerleri ile EGF(5)'e göre oluşan gruplar

**MAS INTERNATIONAL EUROPEAN CONFERENCE ON
MATHEMATICS-ENGINEERING-NATURAL & MEDICAL SCIENCES-XII**

Islah hatları	Meyve sayısı (adet/bitki)	Meyve verimi (g/bitki)	100 Tohum ağırlığı (g)	İç oranı (%)
HA-01	29.6 bcd	76.0 ab	116.1 de	72.9 a
HA-02	31.8 abc	75.8 abc	129.6 a	70.1 b-e
HA-03	31.6 abc	71.1 b-e	112.7 f	67.7 def
HA-04	31.9 abc	72.8 a-d	113.9 def	71.3 abc
HA-05	28.4 b-f	69.6 de	122.9 bc	70.6 abc
HA-06	24.7 def	70.3 cde	120.3 c	70.7 abc
HA-07	33.7 ab	72.2 a-d	116.3 de	70.0 b-e
HA-08	24.2 def	63.8 fgh	107.6 g	70.4 a-d
HA-09	31.6 abc	71.5 b-e	116.7 d	70.8 abc
HA-10	35.6 a	77.4 a	126.2 b	71.4 abc
HA-11	25.9 def	68.7 def	113.3 ef	70.6 abc
HA-12	25.4 def	59.8 hı	113.5 def	72.3 ab
HA-13	23.2 f	57.7 ı	113.8 def	69.1 c-f
HA-14	28.1 c-f	62.8 ghı	114.0 def	71.9 ab
OSM-2005*	28.8 abc	71.9 efg	114.5 def	66.7 ef
NC-7*	23.4 ef	51.9 j	105.2 g	72.5 ab
HALİSBEY	31.5 b-e	66.3 a-e	114.1 def	67.5 f
Ortalama**	29.0	69.3	116.9	70.7
EGF(%5)	3.43	4.69	3.36	2.67

*Ebeveyn hatlar; **Islah hatlarının ortalaması

3.3. İç Oranı

Çizelge 3'ün incelenmesinden de görüleceği gibi, denemeye alınan yerfistığı ıslah hatlarının iç oranı %67.7-72.9 arasında değişim göstermiştir. İç oranı değerleri bakımından denemeye alınan genotipler arasında istatistiksel olarak önemli düzeyde farklılıklar saptanmıştır. İç oranı yerfistığı için önemli bir kalite özelliği olup, Virginia grubu içerisinde yer alan çeşitlerde iç oranının %70'in üzerinde olması istenir. Bu açıdan baktığımızda denemeye alınan yerfistığı hatları içerisinde HA-03 ve HA-13 nolu hatlar hariç, diğerlerinde iç oranı %70'in üzerinde olmuştur. İç oranı bakımından denemeye alınan ıslah hatlarının tamamı, standart çeşit olan Halisbey'den daha yüksek değerlere sahip olduğu görülmüştür. HA-01 (%72.9) ve HA-12 (%72.3) hatlarına ait iç oranı değerleri, diğer hatlara göre oldukça yüksek bulunmuştur. İç oranı değerleri bakımından elde edilen bulgular, Arıoğlu ve ark. (2001), Söğüt ve ark. (2002), Çalışkan ve Arıoğlu (2005), Özgören ve Arıoğlu (2015), Arıoğlu ve ark. (2016), Aşık ve ark. (2018)'ın bulguları ile de benzerlik göstermiştir.

3.4. Meyve Verimi

Yerfistığı tarımında birim alandan yüksek verim alabilmek için, kullanılan çeşidin yüksek verim potansiyeline sahip olması gerekmektedir. Meyve verimi değerleri bakımından denemeye alınan genotipler arasında istatistiksel olarak önemli düzeyde farklılıklar saptanmıştır. Denemeye alınan ıslah hatlarına ait meyve verimi değerleri 498.0-804.1 kg/da arasında değişim göstermiştir. Denemeye alınan ıslah hatlarına ait ortalama meyve verimi değeri 639.5 kg/da olarak hesaplanmıştır. Denemeye alınan ıslah hatları içerisinde, meyve verimi bakımından HA-01 (721.6 kg/da), HA-03 (804.1 kg/da), HA-10 (740.7 kg/da) ve HA-11 (698.7 kg/da) nolu hatlar öne çıkmaktadır. Bu hatlara ait verim değerleri, bölgede yaygın olarak ekimi yapılan NC-7 ve Standart olarak kullanılan Halisbey çeşitlerine ait verim değerlerinden daha yüksek bulunmuştur. Bu çalışmada, meyve verimi değerleri bakımından elde edilen bulgular, bazı araştırmacılar tarafından Virginia grubuna giren yerfistığı çeşitleri ile

**MAS INTERNATIONAL EUROPEAN CONFERENCE ON
MATHEMATICS-ENGINEERING-NATURAL & MEDICAL SCIENCES-XII**

yapılan çalışmalardan elde edilen bulgular ile de desteklenmektedir (8; 9; 10; 11; 12; 13; 14; 15; 16,17,18,19).

Çizelge 4. Yerfıstığı ıslah hatlarına ait elde edilen dekara meyve ve tohum verimi, yağ ve protein oranı değerleri ile EGF(5)'e göre oluşan gruplar

Islah hatları	Meyve Verimi (kg/ha)	İç Verimi (kg/ha)	Yağ oranı (%)	Protein oranı (%)
HA-01	7216 b	5278 ab	46.2 abc	28.1 a
HA-02	6500 cd	4559 c-g	46.6 abc	27.1 b
HA-03	8041 a	5446 a	44.9 cde	27.4 b
HA-04	6486 cd	4624 cde	46.8 ab	26.7 c
HA-05	5862 e	4140 gh	46.1 abc	25.7 efg
HA-06	6483 cd	4584 c-f	47.6 a	26.0 de
HA-07	5644 e	3948 hı	45.1 bcd	26.1 d
HA-08	5937 e	4179 fgh	45.5 bc	24.7 ij
HA-09	6010 de	4255 d-h	46.1 abc	25.1 hı
HA-10	7407 b	5284 ab	43.4 de	24.5 j
HA-11	6987 bc	4931 bc	45.9 abc	25.4 gh
HA-12	5874 e	4248 d-h	45.9 abc	25.8 def
HA-13	6098 de	4212 e-h	45.4 bc	26.1 d
HA-14	4980 f	3583 ij	45.2 bcd	25.6 fg
OSM-2005*	7297 bc	4864 bc	45.5 bc	25.9 def
NC-7*	4843 f	3510 j	43.1 e	28.5 a
HALİSBEY	6921 b	4674 cd	44.7 cde	26.1 d
Ortalama**	6395	4519	45.8	26.0
EGF(%5)	540.0	429.5	1.86	0.37

*Ebeveyn hatlar; **Islah hatlarının ortalaması

3.5. Tohum (iç) Verimi

Denemeye alınan ıslah hatlarına ait tohum verimi değerleri 3583-5446 kg/ha arasında değişim göstermiştir. Denemeye alınan genotipler arasında tohum verimi değerleri bakımından istatistiksel olarak önemli düzeyde farklılıklar saptanmıştır. Yerfıstığında hektar başına elde edilen tohum verimi değeri; hektar başına elde edilen meyve verimi x iç oranı şeklinde hesaplanmaktadır. Buna göre birim alandan en yüksek tohum verimi, HA-03 (5446 kg/ha), HA-10 (5284 kg/ha) ve HA-01 (5278 kg/ha) ıslah hatlarından elde edilmiştir. Tohum veriminin yüksek olması, pazarlama açısından çok önemlidir. Zira, yerfıstığı alım fiyatları belirlenirken, alıcılar tarafından iç oranı hesaplanmakta ve buna göre değerlendirme yapılmaktadır. Denemeye alınan ıslah hatlarına ait ortalama tohum verimi değeri 4519 kg/ha olarak hesaplanmıştır. Tohum verimi bakımından dört ıslah hattının, her iki ebeveynden de daha üstün değerler sahip oldukları görülmektedir. Ayrıca, beş ıslah hattından ise, standart olarak kullanılan Halisbey çeşidine göre daha fazla yüksek tohum verimi değerleri elde edilmiştir. Tohum verimi bakımından elde edilen bulgular; Arıoğlu ve ark. (2016), Güllüoğlu ve ark. (2017), Güllüoğlu ve ark. (2018), Aşık ve ark. (2018)'nin bulguları ile de desteklenmektedir.

3.6. Yağ ve Protein Oranı

Çizelge 4'ün incelenmesinden de görüleceği gibi denemeye alınan ıslah hatlarına ait yağ ve protein oranı değerleri sırası ile %43.4-47.6 ve %24.5-28.1 arasında değişim göstermiştir. Yağ ve protein oranı değerleri bakımından denemeye alınan genotipler arasında istatistiksel olarak önemli düzeyde farklılıklar saptanmıştır. Denemeye alınan ıslah hatlarına ait ortalama

yağ oranı ve protein oranı değerleri %45.8 ve %26.0 olarak bulunmuştur. Yağ oranı bakımından HA-06 (%47.6) ve HA-04 (%46.8) hatları en yüksek değerlere sahip olmuşlardır. Protein oranı değerleri bakımından ise HA-01 (%28.1), HA-03 (%27.4) ve HA-02 (%27.1) hatlarının en yüksek değerlere sahip oldukları görülmektedir. Yağ ve protein oranı bakımından elde edilen bulgular; Arıoğlu ve ark. (2016) ve Berk ve Arıoğlu (2019)'nun bulguları ile benzerlik göstermektedir.

4. SONUÇ

Osmaniye-2005 x NC-7 melezleme programından elde edilen F₆ kademesindeki 14 adet yerfıstığı ıslah hatlarının, Çukurova Bölgesi, ana ürün koşullarındaki verim potansiyelleri ile tarımsal ve kalite özelliklerini belirlemek amacıyla yapılan bu çalışmada, HA-01 ve HA-10 ıslah hatlarının, verim potansiyeli ve bazı tarımsal özellikler bakımından ebeveynlerden ve standart olarak kullanılan Halisbey çeşidinden daha üstün özelliklere sahip oldukları görülmüştür. Elde edilen bu sonuçlara göre seçilen HA-01 ve HA-10 hatları ile ileriki yıllarda, farklı lokasyonlarda verim denemelerine devam edilecek, ortaya çıkan sonuçlara göre bu iki ıslah hattı tescile sunulacaktır.

KAYNAKLAR

- [1] Isleib, T.G., Tilman, B.L., Patte, H.E., Sanders, T.H., Hendrix, K.W., Dean, L.O. (2008). Genotype-by-environment interaction for seed composition traits of breeding lines in the uniform peanut performance test. *Peanut Science* 35:130-138
- [2] Hassan, F., ve Ahmed, M. (2012). Oil and Fatty Acid Composition of Peanut Cultivars Grown in Pakistan. *Pakistan journal of Botany*, 44(2):627-630
- [3] Dwivedi, S.L., Nigam, S.N., Nageswara Rao, R.C., Singh, U., Rao. K.V.S. (1996). Effect of Drought on oil, fatty acids and protein contents of groundnut (*Arachis hypogaea* L.) seeds. *Field crops Research* 48:125-133
- [4] Anonymous. (2018). FAO statistical databases. Availabe at <http://faostat.fao.org>
- [5] Arıoğlu, H., Kolsarıcı, Ö., Kurt, O., Çalışkan, S., Aslan, M.....Bakal, H. (2020). Yağlı tohumlar üretiminde mevcut durum ve gelecek. (25 Araştırmacı tarafından hazırlanmıştır)Türkiye Ziraat Mühendisleri Odası Ulusal Kongresi.
- [6] Arıoğlu H., (2014).Yerfıstığı Yetiştirme ve Islahı. Yağ Bitkileri Yetiştirme ve Islahı Ders Kitabı. Ç.Ü. Ziraat Fakültesi, Genel Yayın No:220, Ders Kitapları Yayın No:A-70. Adana, 204 S.
- [7] TÜİK, (2018). Devlet İstatistik Kurumu, Tarımsal Raporlar.
- [8] Arıoğlu, H., Yılmaz, H.A., Çulluoğlu, N., (1994). Kahramanmaraş Bölgesinde Yerfıstığı Yetiştirilebilme Olanakları Üzerinde Araştırmalar. Tarla Bitkileri Kongresi 25-29 Nisan 1994, İzmir. *Agronomi Bildirileri*, Cilt I. S. 193-196.
- [9] İşler, N., Arıoğlu, H.H., Boydak, E. (1996). Şanlıurfa Koşullarında Ana Ürün Olarak Yetiştirilecek Bazı Virginia ve Spanish Tipi Yerfıstığı Çeşitleri Üzerinde Bir Araştırma. *Ç.Ü.Z.F. Dergisi*, 11 (2) : 1-12
- [10] Arıoğlu, H., Çalışkan, M.E., Çulluoğlu, N., Çalışkan, S. (2001). Genotype x Environment Interaction and Stability Analysis of Pod Yield and Seed Weight in Virginia Type Groundnut. *Turkish Journal of Field Crops*, 6 (1) : 1-5
- [12] Çalışkan, S., Arıoğlu, H. (2005). Yeni Yerfıstığı Islah Hatlarının Amik Ovası Koşullarındaki Verim ve Kalite Performanslarının Belirlenmesi. *M. K.Ü. Ziraat Fakültesi Dergisi*, 9(1-2): 33-42,2004

[13] Aslan, M., İşler, N.; Çalışkan, S.; Arıoğlu, H. (2005). Doğu Akdeniz Koşullarında Tarımı Yapılabilecek Yüksek Verim Potansiyeline Sahip Yerfıstığı Çeşitlerinin Belirlenmesi. Ç.Ü. Ziraat Fak. Dergisi, 20(2):75-82

[14] Arıoğlu, H., Kurt, C., Bakal, H., Onat, B., Güllüoğlu, L., Sinan, N. S. (2013). The Effects of Pix (*Mepiquat-Chloride*) Application in Different Gowing Stages on Pod Yield and Some Agonomic Characters of Peanut. Turkish Journal of Field Crops, 18(2):260-267

[15] Arıoğlu, H., Bakal, H., Güllüoğlu, L., Kurt, C., Onat, B. (2016). Ana Ürün Koşullarında Yetiştirilen Bazı Yerfıstığı Çeşitlerinin Önemli Agronomik ve Kalite Özelliklerinin Belirlenmesi. Tarla Bitkileri Merkez Araştırma Enstitüsü Dergisi, 25 (Özel sayı-2): 24-29

[16] Özgören, M., Arıoğlu, H., (2015). Ana Ürün Yerfıstığı Tarımında Bitki Yoğunluğunun Verim ve Bazı Bitkisel Özelliklere Etkisi. Fen ve Mühendislik Bilimleri Dergisi. 32 (5):75-82i

[17] Güllüoğlu L., Bakal, H., Onat, B., Kurt, C., Arioglu. H. (2016). The Effect of harvesting dates on yield and some agronomic and quality characteristics of peanut grown in Mediterranean region of Turkey. Turkish Journal of Field Crops 21(2): 224- 232.

[18] Güllüoğlu, L., Bakal, H., Onat, B., Kurt, C., Arıoğlu, H. (2017). Comparison of Agronomic and Quality Characteristics of Some Peanut Varieties Grown as Main and Double Crop in Mediterranean Region. Turkish Journal of Field Crops. 22 (2):166-177

[19] Aşık, F.F., Yıldız, R., Arıoğlu, H.H., (2018). Osmaniye Koşullarına Uygun Yeni Yerfıstığı Çeşitleri İle bunların Önemli Tarımsal ve Kalite Özelliklerinin Belirlenmesi. KSÜ Tarım ve Doğa Dergisi, 21(6):825-836

[20] Kılınççeker, M.B., Arıoğlu, H. (2019). Çukurova Koşullarında Yetiştirilen Bazı Virginia Tipi Yerfıstığı Çeşitlerinin Önemli Kalite Özelliklerinin Belirlenmesi. Türkiye 13. Ulusal, 1.Uluslararası Tarla Bitkileri Kongresi, Kongre Kitabı S.245-252

[21] Söğüt, T., Arıoğlu, H., Kızıl, S. (2002). Performance of Some Groundnut Varieties at the South-East Anatolia Region. Turkish Journal of Field Crops,7(2): 61-66

**MAS INTERNATIONAL EUROPEAN CONFERENCE ON
MATHEMATICS-ENGINEERING-NATURAL & MEDICAL SCIENCES-XII**

NANOTECHNOLOGY IN AGRICULTURE

Aravindh A

Arunkumar S

V. Balamurugan

Annamalai University, India

Abstract

Farming is a region where new advances are frequently applied to improve the yield of harvests. Nano farming includes the work of Nano particles in agribusiness these particles will bestow some advantageous impacts to crops. The rise of nanotechnology and the advancement of new Nano devices and Nano materials open up expected novel applications in agribusiness and biotechnology. Nano particles are materials that are sufficiently little to fall inside the nanometric go, with at any rate one of their measurements being not exactly a couple hundred nanometers. These materials would discharge pesticides or manures at a particular time and focused on the spot. Nano particles labeled to agrochemicals or different substances could lessen the harm to other plant tissues and the measure of synthetic concoctions discharged into the earth.

Keywords: Farming, Nano farming, Nano particles and Agribusiness

**Arunkumar R
Balamurugan V**

S. Arunkumar

Annamalai University, India

Abstract

Marine macroalgae are plant-like organisms with simple internal structures that generally live in coastal areas. They mainly include various communities of red, brown and green macroalgae. They are considered to be a good natural biosource in different aspects of agricultural fields. They have much proficiency in improving soil physical and chemical properties. Marine macroalgae are also characterized by producing a large array of biologically active biocidal substances against plant-infecting pathogens. Generally impressive dataset on marine macroalgae showed that they could play a significant role in plant protection and development. It deals with various aspects of potential macroalgal applications in agriculture. Commercial production and exploitation of specific compounds with interesting biotechnological significance from marine macroalgae including microbicides, nematicides, insecticides, biofertilizers, biostimulators and soil conditioners are highlighted. Bioactive compounds like fatty acids as particular polyunsaturated fatty acids (PUFAs), proteins (amino acids), bioflavonoids, sulfated polysaccharides, carotenoids, polyphenols and carbohydrates are considered to have bactericidal, antiviral and fungicidal effects against some plant-infecting pathogens. These biocontrol agents provide more benefits and act as useful pointers for improving cultivation practices in diverse habitats. Marine macroalgae can be considered as promising multifunctional bioinoculants and ecofriendly environmental tools in current trends of organic farming.

Keywords: Marine microalgae, Pathogens, PUFA and Organic farming.

**MAS INTERNATIONAL EUROPEAN CONFERENCE ON
MATHEMATICS-ENGINEERING-NATURAL & MEDICAL SCIENCES-XII**

**AQUACULTURE AS EMERGING INDUSTRY IN SUSTAINABLE
DEVELOPMENT IN SUNDERBAN**

Anupma Kumari

Magadh university, Bodh Gaya

Abstract

The Sundarban is an UNESCO declared world heritage site, situated at the southern fringes on the West Bengal state of India. Aquaculture plays a vital role in the socio-economic development of the communities living in the Sunderban eco-region. Present study encompasses the prevailing aquaculture practices and socioeconomic profile of the fish farmers of Indian Sundarban based on a multi-layered cross-sectional questionnaire based survey. The majority of fish farmers have medium sized families (60%) and the aquaculture operations are dominated by male workers (98%). The fish farmers belonged to low Income group (69%) and their annual income lies within 785.75 US\$. Majority of the respondent practices traditional type farming (74%) and polyculture is prevalent. Freshwater aquaculture of Sundarban is dominated by Indian Major Carps (IMCs) in combination with other exotic varieties. Composite fish culture is popular throughout the Sundarban and most preferred stocking combination is carps with tilapia (*Oreochromis* spp.) followed by IMCs with medium and minor carps. Of Sundarban fish farmers, 19% do not give any kind of supplementary feed. The survey revealed that the government, educational institutions and NGOs are unsuccessful to develop sustainable aquaculture practice and methods in Sundarban. The state of West Bengal is the second largest fish producer in India (after Andhra Pradesh) and is dominated by production from the South and North 24 Parganas district. Total fish Production of the state was 1.6 million tons in 2000-2001 which was increased to tune up the production of 1.5 million tons in 2013-2014 from an approximately 5.45 lakh ha area. Aquaculture is a rapidly growing food producing sector in the world. Even though capture fishery represented 58% of total fish production in 2012, it has remained relatively stable throughout the last three decades. The source of significant growth in the global production of fish since the late 1980s has been culture fishery (aquaculture) with an average annual growth rate of 8.8%¹. The production from world food fish aquaculture more than doubled from 32.4 million tons in 2000 to 66.6 million tons in 2012 with an average annual growth rate of 6.2 % in the period 2000–2012¹. India is the second largest fish producer in the world after China and in 2012 India produced 3.8 million tons farmed food fish from the inland sector¹. In India, national average annual consumption of fish and fish products is 2.85 kg capita⁻¹ in 2010 which accounts for 2.2% of total protein consumption

Fishery in Sunderban is the most important and major source of livelihood in the people living there. The forests of Sunderban is located at the situated at the southern fringes on the West Bengal state of India. There are a number of famous tourist spots in the city. Most of the fishermen in the city are from and they use the boats to get their catches from the sea. Fishery in sunder ban offers all kinds of fishing activity. There are various types of fishes that are available in the sea. Thus the fishermen have to do some kind of research and study about the fish species so that they can choose the appropriate method of catching them and bring them

to the city to sell them to the people. Thus it becomes very important for the people to find out the right way of catching their fishes and get them sold in the market.

INTRODUCTION

Aquaculture is a quickly developing food delivering segment in the world. Despite the fact that catch fishery spoke to 58% of all out fish creation in 2012, it has remained moderately stable all through the most recent three decades. The wellspring of huge development in the worldwide creation of fish since the late 1980s has been culture fishery (aquaculture) with a normal yearly development pace of 8.8%¹. The creation from world food fish aquaculture dramatically increased from 32.4 million tons in 2000 to 66.6 million tons in 2012 with an normal yearly development pace of 6.2 % in the period 2000–2012¹. India is the second biggest fish maker on the planet after China also, in 2012 India delivered 3.8 million tons cultivated food fish from the inland part¹. In India, national normal yearly utilization of fish and fish items is 2.85 kg capita⁻¹ out of 2010 which accounts for 2.2% of all out protein utilization¹. Consistent declining assets, vitality emergency and significant expense of angling have prompted an expanded acknowledgment of aquaculture as a feasible and practical other option to catch fisheries in India²⁻⁴. Inland creation of India has expanded from 5.7 million tons in 2000-2001 to 6.2 million tons in 2013-2014. Out of the all-out inland creation, almost 70% comes from aquaculture⁵. The province of West Bengal is the second biggest fish maker in India (after Andhra Pradesh) and is commanded by creation from the South and North 24 Parganas locale. All out fish creation of the state was 1.6 million tons in 2000-2001 which was expanded to adjust the creation of 1.5 million tons in 2013-2014 from an around 5.45 lakh ha territory⁵. In the inland division of India, about 30% of fish creation originates from the state West Bengal. The inland aquaculture creation of West Bengal expanded from 0.88 million tons in 2000-2001 to 1.39 million tons in 2013-2014⁵. The Sundarban Biosphere Reserve (SBR) (organizes lat. 21°40'N long. 88°03'E to lat. 22°40'N long. 89°07'E) is an UNESCO pronounced world legacy site, lies on the southern edges.

In the West Bengal, India, where the Gangetic plain meets the Straight of Bengal. Its 9,630 km² zone is spread over South 24 Parganas furthermore, southern pieces of the abutting North 24 Parganas, the two southernmost regions of West Bengal. The delta contains 102 low-lying islands, of which 48 islands are involved by human occupying 5,363 km² region. Waterway Hoogly, the westernmost estuary of the Sundarban, is the first deltaic branch of stream Ganga. 134 Journal of Food, Agriculture and Environment, Vol.14 (2), April 2016 Stream Raimangal structures the eastern limit of the SBR. The northern restriction of the Sundarban is characterized by the Dampier–Hodges line, a nonexistent line dependent on a review directed during 1829– 1832⁶. Directly, the settled parts of the SBR are situated in 13 of the 36 squares in South 24 Parganas and on 6 of 22 squares of North 24 Parganas, establishing a sum of 19 squares, alluded as the 'Sundarban squares'. The freshwater streams from the standard streams and the flowing entrance from the ocean bring about a slope of saltiness that shifts both spatially and transiently inside the Biosphere Reserve. When all is said in done, the saltiness is higher closer the coast and the water is almost new on the inland side constraint of the Sundarban where the water is about new⁷. The islands of Sundarban are encircled by exceptionally old man-made dikes which make conceivable the presence of freshwater bodies inside the land masses therefore makes farming and freshwater aquaculture

MAS INTERNATIONAL EUROPEAN CONFERENCE ON MATHEMATICS-ENGINEERING-NATURAL & MEDICAL SCIENCES-XII

reasonable inside this area. Fisheries and aquaculture is a basic part of employment of the occupants of Sundarban and fundamentally adds to the areas' creation. Aside from brackishwater aquaculture, freshwater aquaculture is expanding step by step and making sure about equal economy and employment in Sundarban eco-area. During 2010-2011, South and North 24 Parganas areas created 0.17 and 0.16 million tons angles, individually, from the inland segment of which about 40% creation originated from Sundarban squares 8. Every one of the 19 squares of the Sundarban area have progressively impecunious family units in examination with the comparing midpoints for India and rest of West Bengal, and the level of BPL (Below Poverty Line) a family units ranges from 31% to 65% in these squares 9. Almost 80% of the family units procure their living that include wasteful creation techniques in farming, angling, and aquaculture in expansion with numerous stressors 9. Muruganandam et al. 10 referenced that, it is essential to know the functional complexities and least useful information associated with the cultivating to enkindle the reasonable creation of an area. So it is basic to grant legitimate information on the premise of logical advances and accessible chances of fish cultivating to the anglers and fish ranchers to accomplish manageability. Considering the significance and capability of freshwater of Sundarban this correspondence gives data on different experiences on the aquaculture rehearses, creation techniques, obliges alongside financial profile of the fish ranchers of Sundarban.

Materials and Methods

Study territories and test size: The overview was directed in two network improvement squares b of Indian Sundarban to be specific Basanti and Sagar, South 24 Parganas, West Bengal, India (Fig. 1) where aquaculture is prevalently rehearsed. Basanti island (lat. 22°11'22.13"N and long. 88°40'21.43"E) is arranged in the eastern part of the Sundarban delta with waterway Bidya on its east, stream Matla on the west, Sandeshkhali-I hinder on its north and Sundarban Tiger Hold in the south. The topographical region of the square is 286.03 km². This square comprises of 13 gram panchayats c and 65 possessed towns. Sagar island (lat. 21° to 21°53' N and long. 88°02' to 88°15' E) is the biggest deltaic square of Sundarban situated in the outrageous western area of SBR. This island with a region of around 300 km² is encircled by two waterways, Hoogly and Muriganga. Both the waterways meet Bay of Bengal on either side of the Sagar island and is completely withdrew from terrain. The square comprises of 9 gram panchayats and 43 towns. The overview secured all out 451 fish cultivating family units disseminated more than 20 gram panchayats (244 family units spread across 9 gram panchayats in Sagar square and 207 family units spread across 11 gram panchayats in Basanti square). Advancement of study survey: A cross-sectional multilayered meet based survey was purposively evolved covering all water cultivating attributes for this study. The survey was intended to record data in a norm position with shut inquiries at every possible opportunity and with alteration from different literary works 11-13. Endeavors were made to make the language unambiguous, brief, courteous and non-specialized quite far. Essentially the poll was set up in English and afterward meant Bengali (neighborhood tongue) for successful consequences of the study and for better comprehension of the neighborhood occupants of Sundarban. There was a pre-study meeting when the poll was tried multiple times by meeting objective individuals to distinguish vague and superfluous inquiries as depicted by Khan and Lilley 13. The study poll comprised of four significant classifications, for example (I) financial profile of

**MAS INTERNATIONAL EUROPEAN CONFERENCE ON
MATHEMATICS-ENGINEERING-NATURAL & MEDICAL SCIENCES-XII**

ranchers, (ii) data on aquaculture, (iii) lake and wellbeing the executives practices and (iv) issues and need issues. aBelow Poverty Line is a financial benchmark and neediness edge utilized by the legislature of India to demonstrate monetary drawback and to distinguish people and family units needing government help and help. b The Community advancement square is a provincial zone divided for organization and advancement in India. A people group improvement square covers a few gram panchayats, neighborhood regulatory unit at the town level. gram panchayat is simply the foundation of a neighborhood government association in India of the Panchayati raj framework at the town or humble community level, and has chosen head called Sarpanch or Gram Pradhan.

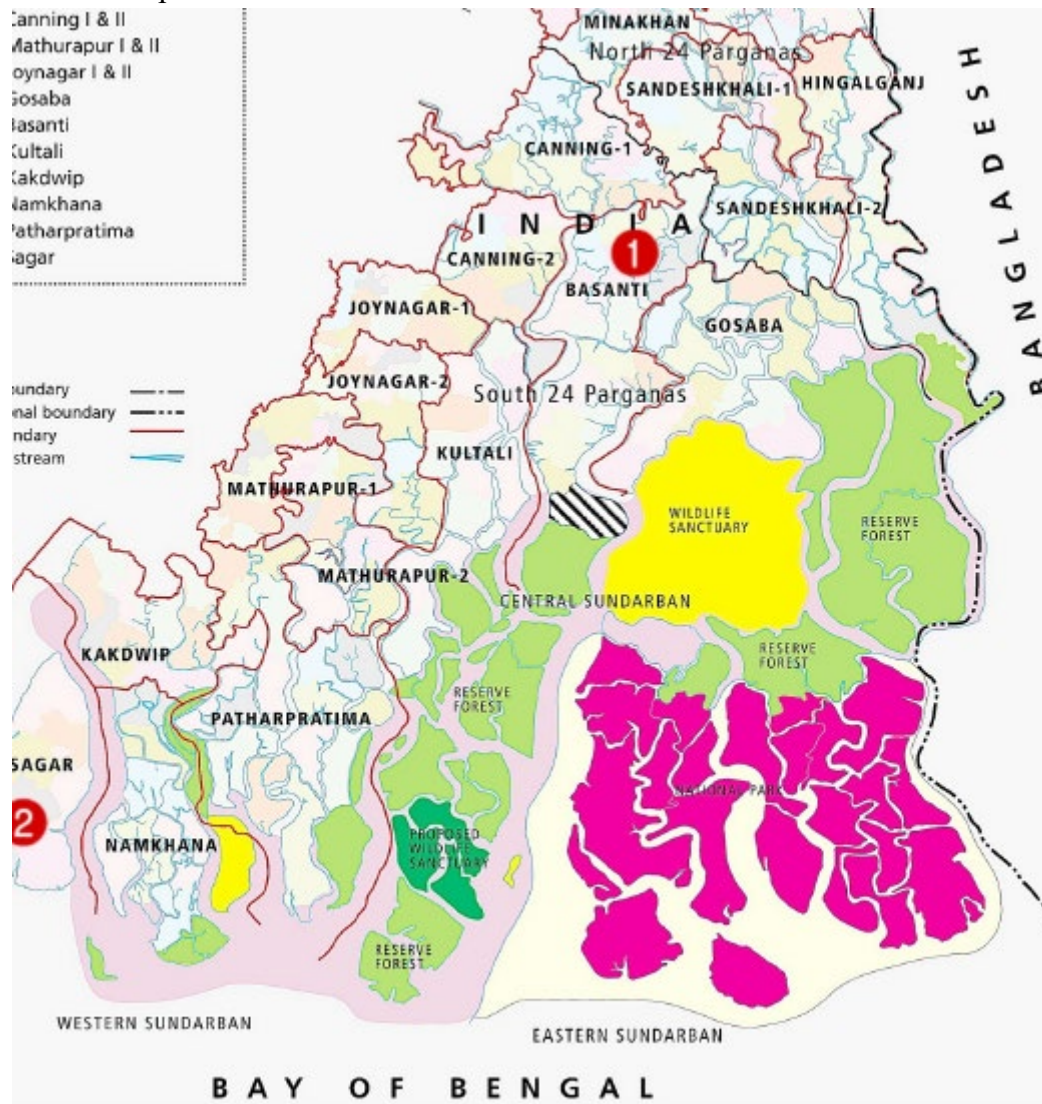


Figure 1. Guide of Indian Sundarban demonstrating study regions. 1 and 2 meant as Basanti and Sagar square, individually. Diary of Food, Agriculture and Environment, Vol.14 (2), April 2016 135 Database readiness and investigation: Data base programming was explicitly created in-house for examination utilizing Microsoft Access TM 2007. The above database programming was utilized for section what's more, stockpiling of studied database. The examinations of whole information were done through Microsoft Excel TM 2007 subsequent to checking the wrong information. Different inductions were attracted relating to

**MAS INTERNATIONAL EUROPEAN CONFERENCE ON
MATHEMATICS-ENGINEERING-NATURAL & MEDICAL SCIENCES-XII**

pertinent parts of aquaculture rehearses through the assistance of the programming. The examination was led during 2013-2014.

Variable	Description	Value (%) (N = 451)	Variable	Description	Value (%) (N = 451)
Caste	General	40.58	Educational qualification	Illiterate	7.76
	SC	34.59		Primary	12.20
	ST	3.55		8 th standard	37.69
	OBC	7.76		10 th standard	19.96
	Muslim	13.53		12 th standard	11.31
Gender	Male	97.56	Graduate	9.76	
	Female	2.44	Post-graduate	1.33	
Household size	≤4 members	27.05	Source of income	Aquaculture with agriculture	87.58
	5-8 members	60.31		Aquaculture with animal husbandry	25.28
	>8 members	12.64		Aquaculture with fishing	4.21
Annual income	≤ Rs. 50,000	68.74		Aquaculture with Service	3.55
	Rs. 50,000-100,000	23.95		Aquaculture with business	17.96
	> Rs. 100000	7.32	Farm size*	≤ 0.5 Bigha	12.86
Knowledge source	Govt. training	1.77		> 0.5 to 1.0 Bigha	28.82
	NGO training	2.00		>1.0 to 3.0 Bigha	44.79
	From other farmers	20.40		>3.0 to 5.0 Bigha	7.98
	Daily experience	89.80		> 5.0 Bigha	5.54
	From mass media	7.32			

Table 1 household income of different class

Results and Discussion

Financial profile, information source and homestead property: In view of rank stratification the neighborhood fish ranchers of Sundarban are characterized in four classes prevalently the general position (41%) trailed by booked standings (SC) with a portion of 35% of all out fish ranchers' populace and other two classes viz., other in reverse classes (OBC) and booked clans (ST). Among the respondents, 14% ranchers have a place with Muslim classification (Table 1). Most of fish ranchers have medium estimated families including of 5-8 relatives (60%). The aquaculture activities are commanded by male laborers (98%) in Sundarban and their yearly pay lies between Rs. 50,000 (INR) (785.75 US\$) (69%). As the fish cultivating is a deep rooted practice in West Bengal, a considerable lot of the ranchers obtained the homesteads from their precursors and the greatest rancher picks up aquaculture information from their day by day cultivating experience (90%) as opposed to trainings from government and NGOs (2%). The study results uncovered that the administration, instructive establishments and NGOs are fruitless to create reasonable aquaculture practice and strategies in Sundarban. The results likewise mirrored the absence of co-appointment and correspondence between government augmentation officials and fish ranchers to execute the logical progressions in aquaculture; and these patterns was notice in India just as in other Asian nations also^{12, 14}. As in Table 1, larger part of ranchers had an instruction up to eighth norm (38%) and 10% graduated people were occupied with aquaculture, notwithstanding, contribution of post-graduates were unimportant (2%). Das et al. ¹⁵ saw that instruction and preparing assumed a significant job in reception of improved aquaculture advancements. The outcome uncovered that other than aquaculture, the fish ranchers of the Sundarban squares were likewise included incompletely with agribusiness, creature farming, angling, business,

administration and so on as extra wellspring of pay. This pattern is very average in Bangladesh. Of fish ranchers, 88% practices aquaculture coordinated with agribusiness with a vegetables or manor on the dykes of the lake. Angling is an occasional control of 4% aquaculture ranchers of Sundarban. Normal farmholdings of lion's share of fish ranchers of Sundarban (45%) are 0.1-0.4 ha. Just 6% of ranchers hold all out lake region more than 0.8 ha. As indicated by World Bank 9, despite the fact that about the whole populace of the Indian Sundarban relies upon horticulture, the lion's share of ranches are named "little" and "minimal," with ordinary landholdings of under 1 ha for each family. As per this report, the greater part of all family units of Sundarban had their own property (55.5%); the holding size was among 0.01 and 0.20 ha. This is fundamentally littler than the normal landholding size of 1.16 ha in India.

Cultivating types, nursery and develop out tasks: As appeared in Table 2, about portion of Sundarban ranchers culture both finfish and shellfish (49%) and 47% of ranchers only culture finfish. In the squares of Indian Sundarban delta, greater part of ranchers rehearses conventional sort cultivating (74%) trailed by adjusted broad cultivating practice (23%). Not many ranchers (3%) practice semiintensive aquaculture as far as extremely high stocking thickness with outside taking care of. The overview result uncovered that greater part of the aquaculture ranches are lasting sorts (71%) and are filled through downpour water (69%). Albeit a small amount of ranchers relies upon ground water alongside downpour water, other than these, ranch lakes get most extreme unscreened and incompletely screened overflow from rural fields commanded by paddy and vegetable yields. As it were 5% of ranchers do brackishwater culture in the fringe territories yet freshwater aquaculture is transcendent (73%) inside the islands of Sundarban. As uncovered in Table 2, scarcely any ranchers are rehearsing The rank framework in India is an arrangement of social definition. Reservation in India is the way toward setting aside a specific level of favorable circumstances for individuals from verifiably in reverse and under-spoke to networks (characterized fundamentally by rank and clan). Reservation is represented by protected laws, legal laws, and nearby guidelines and guidelines. Booked Castes (SC), Scheduled Tribes (ST) and Other In reverse Classes (OBC) are the essential recipients of the booking approaches under the Constitution. monoculture of shrimp in Sundarban squares however fish polyculture is pervasive (87%) and with an incorporation fundamentally with agriculture and duck raising (8%). It was seen that greater part of West Bengal ranchers wandered into coordinated cultivating without knowing the genuine advantage 14. The greater part of the aquaculture ranches of Sundarban are deficient with regards to channel outlet framework. In the Sundarban squares, larger part of the ranchers utilized lake water for numerous reasons like water system, washing and other family unit purposes other than aquaculture (41%). As the majority of the ranchers working little scope aquaculture, gangs around five develop out lakes and have in any event one major lake (99%). The after effects of the overview showed that a large portion of the ranchers do not practice nursery raising independently (86%) and utilize the growout lakes for developing produce/fry size fish to table size. Nonetheless, 27% of ranchers have in excess of two nursery lakes which are utilized to stock fish seeds at high densities for raising them to broil and fingerling and moved to develop out lakes. Lake arrangement and seed loading: To guarantee legitimate lake condition and maintainable creation, fish ranchers of Indian Sundarban are rehearsing lake arrangement process by the methods of liming, dewatering, base soil expulsion, de-weeding, annihilation of predators, manuring and so on. As appeared in Table 3, lion's share of fish

MAS INTERNATIONAL EUROPEAN CONFERENCE ON MATHEMATICS-ENGINEERING-NATURAL & MEDICAL SCIENCES-XII

ranchers work on liming (87%) trailed by dewatering previously loading (52%), manuring through cow compost (29%), de-weeding (18%) and expulsion of base flotsam and jetsam (21%). Just 3% of ranchers do not follow any kind of lake arrangement strategy. It is notable that, appropriate amount of lime is for the most part applied to settle pH and corrosive base buffering limit, increment accessible phosphorus, quicken decay of natural issue in lake soil; improve lake water quality through at least one compound procedures and control fish parasites or event of sicknesses 17. Deficiency information on significance of essential creation, microscopic fishes, oceanic biological systems and highlights of monetary fish creation, fish ranchers don't have any significant bearing required amount of lime and manures to build lake efficiency and fish creation in the area. Notwithstanding, inordinate utilization of lime, composts and different synthetics may influence water quality, tiny fishes, angles and at last fish creation unfavorably . In West Bengal freshwater aquaculture framework, fish seed showcase furthermore, operators assume an indispensable job in selling the seeds. Countless the ranchers of Sundarban purchased fish seeds from incubation center through the operators. Greatest rancher supplied incubation facility raised seed (87%) as opposed to loading of normal seeds (2%). Ranchers of Sundarban are utilized to stock regular (wild) seeds for the most part of *Macrobrachium rosenbergii*, *Penaeus monodon* and few brackishwater fish. As it were a not very many part of ranchers stocks both incubation center and wild seeds. Assortment of wild shrimp seed is a consuming issue in the both Indian furthermore, Bangladesh Sundarban as expressed by different specialists already 19-22, what is alluded to as "by-get," the inadvertent disposing of huge quantities of adolescent finfish, shellfish, and other oceanic species. The overexploitation of shrimp fry harshly limits the accessible measure of grown-up shrimp 23 and hampers the common uprightness of riverine biological system. Be that as it may, the present review information mirrors that now daily the mindfulness and discernment of fish ranchers of Sundarban about unfriendly impacts of wild seed assortment have expanded. This is most likely because of mass and aggregate mindfulness approach made by government and NGOs against wild shrimp seed reap. An enormous segment of ranchers of Sundarban squares lean towards continued stocking (70%) in culture framework. Abraham et al. expressed that the one of a kind trait of West Bengal freshwater fish culture framework is the rehashed loading of fish seeds (81%) in culture frameworks. Because of the high request of adolescent fish in West Bengal, ranchers gather such size bunches occasionally and renew the gathered stock with new fish seeds to keep up the necessary stocking thickness. Single stocking fish seeds is additionally a typical marvel of Sundarban and the current review uncovered that almost 30% of ranchers like mono stocking which is kept up all through the way of life term. Ranchers of Sundarban for the most part start aquaculture by loading fingerlings (67%), despite the fact that loading of fry (41%), hatchlings (6%) and blended kind of seeds (14%) are additionally normal. Comparative sort of loading rehearses is additionally seen in Andhra Pradesh 14. If there should arise an occurrence of shrimp and prawn, ranchers want to supply of adolescent stages (41%) rather than post larval stage (PL) (17%).

Most extreme ranchers like to stock fingerlings up to 3000/bigha (2.25 fish m⁻²) (40%) where as 32% ranchers used to stock fingerlings at low stocking thickness, up to 1000/bigha (0.75-1 fish m⁻²). As appeared in Table 3, ranchers of Sundarban typically stock prawn/ shrimp in polyculture framework at low stocking thickness. A perfect fish loading thickness would be 0.5-2.5 fish m⁻² in lakes for carp cultivating, contingent upon size of seedlings 10. The

**MAS INTERNATIONAL EUROPEAN CONFERENCE ON
MATHEMATICS-ENGINEERING-NATURAL & MEDICAL SCIENCES-XII**

inclination of ranchers for higher stocking thickness is by all accounts an around the world issue and predominant in West Bengal and different conditions of India where aquaculture is in significantly propelled state . Loading in higher thickness would prompt higher mortality, poor development rate, creation of littler table size fishes and at last lower yield also, benefit 10. During the review time frame one basic thing is taken note that a wide range of ranchers in Sundarban don't adjust fish seed before loading just as they don't clean the seed . Loading of seeds without acclimatization were too seen in different conditions of India 10.

Variable	Description	Value (%) (N= 451)	Variable	Description	Value (%) (N = 451)
Fish type	Finfish	46.56	Water type	Freshwater	72.51
	Shellfish	6.43		Brackishwater	5.32
	Both	49.00		Both	22.17
Farming type	Traditional	73.61	Cultivation type	Monoculture	4.88
	Modified Extensive	23.28		Polyculture	86.92
	Semi-intensive	3.10		Integrated	8.20
Pond type	Seasonal	28.82	Inlet-outlet	Present	46.12
	Perennial	70.51		Absent	53.88
Source of water	Rain water	69.40	Use of pond water other than aquaculture	Irrigation only	6.87
	Creek	0.89		Household and Irrigation	5.99
	Rain water along with ground water	23.95		Household and bathing	23.50
Number of nursery ponds	Nil	86.03		All purpose	41.46
	1-3	27.27	Number of grow-out ponds	≤ 5	98.89
	> 3	1.11		> 5	2.88

Table 2 farming types and grow outs

Variable	Description	Value (%) (N = 451)	Variable	Description	Value (%) (N = 451)
Pond preparation	Dewatering	51.88	Source of seeds	Hatchery	87.14
	Bottom sediment removal	21.06		Natural	2.44
	De-weeding	18.18		Both	10.42
	Eradication	8.87	Stocking	Single	29.93
	Liming	87.36		Multiple	70.07
	Manuring	29.05	Type of fish seed	Hatchling	5.76
	No preparation	3.55		Fry	40.80
		Fingerling		66.74	
Type of prawn seed	PL	16.85		Mixed	14.25
	Juvenile	40.58	Seed disinfection	No	89.58
Seed acclimatization	No	83.81		*Prawn seed (pcs) stocking rate/Bigha	Up to 500
*Fish seed (pcs) stocking rate/Bigha	Hatchling 50,000-100,000	2.00	501-1000		9.31
	> 100,000	1.11	1001-3000		12.20
	Fry 5,000-10,000	4.43	3001-5000		4.21
	10,000-50,000	2.00	5001-10,000		3.77
	Fingerling up to 1000	31.93	10,001-30,000		3.99
	1001-3000	40.35	30,001-40,000		0.67
	3001-5000	15.30			

*1 Bigha = 1333 m²; 10,000 m² = 1 hectare (ha)

Table -3-- pond management

Refined species, loading mix and advantageous taking care of: It is apparent from Table 4 that freshwater aquaculture of Sundarban is ruled by Indian significant carps (IMCs)

MAS INTERNATIONAL EUROPEAN CONFERENCE ON MATHEMATICS-ENGINEERING-NATURAL & MEDICAL SCIENCES-XII

in blend with other colorful assortments. Labeo rohita, catla what's more, Cirrhinus mrigala are most favored culturable species followed by outlandish carps like Hypophthalmichthys molitrix, Ctenopharyngodon idella, Cyprinus carpio, Barbonymus gonionotus and so forth. Same strategies were polished all over West Bengal, stock Oreochromis mossambicus and O. niloticus because of quicker development rate. Brackishwater species like Lates calcarifer, Chelon parsia, Mugil cephalus, Mystus gulio and Penaeus monodon are additionally supplied in freshwater aquaculture arrangement of Sundarban. Not many fish species like Cyprinus carpio and self-enrolling indigenous fish species like Amblypharyngodon mola, Puntius conchoniis, Puntius sophore, Pethia ticto, Clarias batrachus, Heteropneustes fossilis, Channa punctata, Channa striata, Anabas testudineus and so forth were presented normally and breed naturally in culture lakes and renew after collect for not many a long time except if deliberately pulverized. Nonetheless, culture of these angles has not spread broadly in Sundarban however these fishes are bringing significant expense in local markets 25. In Bangladesh part of Sundarban, a few fishes are generally refined and are well perceived for occupation, rustic turn of events and healthful security .Loading blend of aquaculture species is one of the most significant rules for better yield and reflects versatile limit of the ranchers. Albeit composite fish culture is famous all through the Sundarban, most favored stocking blend are carps with tilapia (Oreochromis spp.) trailed by IMCs with medium what's more, minor carps (Table 4). Small portion of ranchers favors carps with M. rosenbergii mix (3%). Scarcely any ranchers (6%) want to stock carp in blend with brackish water species. The creation strategies for freshwater aquaculture in Sundarban can be named as "semi improved, low-input carp polyculture" as seen in other Asian nations 16. As appeared in Table 4, 19% of fish ranchers of Sundarban don't give any sort of valuable feed. Those ranchers' like to follow the 'legends' for higher stocking thickness of fish seedlings and the conviction is "angles develop themselves" without outside feeds. Among the remainder of respondents, 41% of ranchers supported rice grain and oil cake as feed stuff and 29% of ranchers utilize business feed accessible in nearby market for keeping up consistent development of fishes. Albeit common food adds to the nourishment of the refined fish 30, the exogenous flexibly of counterfeit food is fundamental for providing supplements, which might be insufficient in common food. In any case, utilization of counterfeit feed influences water quality more than some other administration factors. Taking care of fish at 2-5% of the body weight is suggested dependent on common efficiency of fishpond 31. Table 4 portrays that 27% of ranchers give feed once in seven days though 22% of ranchers feed their fishes every day. Plate taking care of isn't well known in freshwater conventional aquaculture framework in Sundarban. Larger part of the ranchers (67%) embrace broadcasting taking care of strategy though about 6% of ranchers follow pack taking care of strategy. The sack taking care of procedure is a one of a kind strategy for taking care of carps and likely it has originated from Andhra Pradesh. In this technique, void polythene sacks are for the most part cut to hold almost 15-20 kg feed. At the lower part of these packs, 2-3 lines of holes are made 32. The feed blends are set into these sacks and suspended from bamboo shafts raised in different areas of the lake. Through this taking care of technique, the ranchers had the option to evade feed wastage just as know the quantum of feed devoured by fish . A significant perception of the review is that a few ranchers of Sundarban utilize business poultry feed for angles. Wellbeing and water quality administration, gathering and separately, are liberated from any sorts of sickness episode. Those ranchers who are confronting ailment

**MAS INTERNATIONAL EUROPEAN CONFERENCE ON
MATHEMATICS-ENGINEERING-NATURAL & MEDICAL SCIENCES-XII**

issues, the regular finfish ailments are epizootic ulcerative condition (EUS) episode (19%), blade and tail decay (12%) and lack of healthy sustenance (10%). Fish sickness in carp ranches has been accounted for in 31% of the broad homesteads and 24% of the semi-serious ranches at Bangladesh . The most widely recognized sickness issue in freshwater fish in Bangladesh is EUS as detailed by Mazid and Banu .Yearly misfortunes of US\$ 1.0 million because of malady initiated mortality what's more, disabled development were accounted for in carp culture in Andhra Pradesh, India 35-36. It was accounted for that 73% of the way of life lakes in West Bengal were sickness influenced; most lakes lost 30-40% of their stock 35-36. As indicated by the respondents, the significant illnesses of shrimp and prawns are dark injury on shell and tail (17%), darkening of gill (9%), parasite outgrowth on shell (7%) and white spot infection (9%). In the two cases, ailments happened in different blends. Shrimp illnesses are injurious, since they can cause misfortunes from low (interminable) levels up to intense (100%) mortalities³⁷. Despite the fact that commonness of WSSV is low in Sundarban, episodes due to WSSV can be forestalled by disposing of potential vectors and screening of admission water. The polymerase chain response (PCR) used to screen for contaminated PL is an approach to diminish the danger of WSSV ³⁸. At the point when the fish ranchers were gotten some information about occasional and developing pattern of illness event, the most extreme reactions of ranchers show that there is no particular example of illness event; be that as it may, the vast majority of the ailments episode happened in winter seasons just as during center of the harvest which is in concurrence with the past examinations .

Variable	Description	Value (%) (N = 451)	Variable	Description	Value (%) (N = 451)
Species cultured	<i>Catla catla</i>	87.80	Stocking combination	#IMC + exotic carps	13.53
	<i>Labeo rohita</i>	89.58		#IMC + medium and minor carps	26.39
	<i>Cirrhinus mrigala</i>	58.76		#IMC + other exotic varieties	11.31
	<i>Labeo bata</i>	33.04		#Carps + Tilapia	37.47
	<i>Labeo calbasu</i>	2.88		#Carps + Scampi	3.10
	<i>Chitala chitala</i>	1.55		#IMC + brackishwater fishes	6.43
	* <i>Hypophthalmichthys molitrix</i>	50.11		#Brackishwater fishes + chitol	0.44
	* <i>Ctenopharyngodon idella</i>	27.72		Supplementary feeding	Not done
	* <i>Hypophthalmichthys nobilis</i>	1.11	Type of fish feed	Rice bran and oil cake	41.02
	* <i>Cyprinus carpio</i>	16.19		Farm made	9.76
	* <i>Barbonymus gonionotus</i>	39.02		Commercial	29.49
	* <i>Pangassius spp.</i>	2.88	Feeding frequency/week	Daily	22.17
	* <i>Pygocentrus nattereri</i>	16.19		Once	26.61
	* <i>Oreochromis spp.</i>	15.52		Twice	18.63
	<i>Lates calcarifer</i>	7.32		Thrice	7.54
	<i>Chelon parsia</i>	7.10	Four times	5.10	Nature of feeding
	<i>Mugil cephalus</i>	1.55	Broadcasting	66.74	
	<i>Mystus gulio</i>	1.77	Tray feeding	0.44	
	<i>Macrobrachium rosenbergii</i>	12.64	Bag feeding	5.54	
	<i>Penaeus monodon</i>	4.00			

Table 4-- stocked combination of fishes

A various number of treatment strategies were accounted for during review, be that as it may, liming (37%) is the most well known treatment against malady flare-up followed by water trade (4%). About 1% of ranchers use mix of synthetic concoctions and anti-infection agents

as indicated by the suggestion of compound providers. Be that as it may, as of late some dynamic ranchers use potassium permanganate, copper sulfate, alum, methylene blue, aqua clean and other business brands, in spite of the fact that there is next to no proof of recuperation from sicknesses after utilization of those synthetic concoctions. Among the prophylactic measures, some of the time liming is the best strategy as announced by certain ranchers. Complete depleting of lake water, lake base drying, expulsion of base mud and liming during lake readiness were found to bring about low malady dangers in some aquaculture cultivates in Bangladesh 13. The illnesses didn't appear to cause calamitous misfortunes, most ranchers of Sundarban revealing that solitary a couple of animal varieties kicked the bucket. From Focus Group Conversation (FGD) it is clear that most of ranchers learned the treatment techniques from different ranchers and nearby synthetic providers. Nonetheless, NGOs and government expansion administrations are less every now and again counseled with respect to ailment conclusion. These marvels in Bangladesh were additionally basic. It is apparent from the study that ranchers are less mindful about estimating water pH and saltiness during aquaculture activities. About 42% and 61% of ranchers don't gauge water pH and saltiness, separately. Among the checked homesteads, 28% of ranches had good pH run (7.5-8.5). In Sundarban, 11% of aquaculture ranches are acidic in nature (pH < 7.5). Of the freshwater aquaculture ranches, 30% arranged inside the islands of Sundarban have marginally saline water having around 5 ppt saltiness.

In Sundarban, the ranchers are liked to reap angles every now and again and more than once on account of the high market interest for the propelled fingerlings and adolescent fish. Around half of ranchers incline toward numerous gathering consistently. Be that as it may, the endurance rates during collecting process lies for the most part in the scope of <60-80% most likely because of high stocking thickness and non-appropriation of logical administration rehearses 14. About 81% of the Sundarban ranchers sold their aquaculture produce legitimately in open nearby sale advertise; though about 6% of the ranchers exchange the fish from their own ranches. Just 4% of ranchers sell their reaped fish through neighborhood go-between. In West Bengal, ranchers sell their produce either legitimately to shoppers or vagrant merchants who buy fish from makers and sell in the nearby market to extreme customers. It is obvious that immediate offering to shoppers by makers brings an extra pay of Rs. 2.53 kg-1 of fish⁴⁰.

Issues and imperatives: There are various issues and challenges in freshwater aquaculture in Sundarban. Among them, saline water immersion through penetrate of lake dykes and overtopping (68%), illness episodes (61%), typhoons and tempest floods because of environmental change (53%), low quality of fish seeds (52%), absence of augmentation administrations and specialized information (49%), social issues like burglary (46%) and harming (23%) and unpredictable natures of precipitation (44%) are significant issues (Fig. 2). Other than these, ranchers' concernment additionally incorporates ill-advised money related help also, absence of adequate credit offices, poor market cost and quality of feeds and so on which has contradictory effect on the advancement of freshwater aquaculture. Numerous zones of Sundarban delta are powerless against saline water immersion and exposed to natural risk during outrageous climate occasions like tornados what's more, storm floods 41. Earthen dikes enveloping the Sundarban islands keep the brackishwater away from the island also, makes freshwater agribusiness conceivable inside the islands. Saline water immersion because of penetrate of waterway dike, ocean level ascent and resulting disintegration combined with visit

outrageous climate occasions which influence freshwater fish culture inside the island of Sundarban which is fundamentally freshwater biological system 42. Abraham et al. 14 expressed that immersion because of flood is profoundly positioned issue in West Bengal. Because of overwhelming showers during July to September, a huge piece of the West Bengal freshwater fish ranches get immersed, at last loosing dominant part of the stock 14. Dry season because of inconsistent conduct of precipitation is at some point revealed from Sundarban.

Farmers incline toward different collecting consistently. In any case, the endurance rates during collecting process lies generally in the scope of <60-80% presumably because of high stocking thickness and non-reception of logical administration rehearses 14. About 81% of the Sundarban ranchers sold their aquaculture produce legitimately in open nearby sale advertise; while about 6% of the ranchers exchange the fish from their own ranches. Just 4% of ranchers sell their gathered fish through neighborhood middle person. In West Bengal, ranchers sell their produce either legitimately to customers or vagrant brokers who buy fish from makers and sell in the neighborhood market to extreme purchasers. It is apparent that immediate offering to customers by makers brings an extra salary of Rs. 2.53 kg-1 of fish⁴⁰. Issues and requirements: There are various issues and challenges in freshwater aquaculture in Sundarban. Among them, saline water immersion through break of lake dykes and overtopping (68%), infection episodes (61%), twisters and tempest floods because of environmental change (53%), low quality of fish seeds (52%), absence of expansion administrations and specialized information (49%), social issues like robbery (46%) and harming (23%) and unpredictable natures of precipitation (44%) are significant issues (Fig. 2). Other than these, ranchers' concernment additionally incorporates ill-advised budgetary help also, absence of adequate credit offices, poor market cost and quality of feeds and so on which has contradictory effect on the advancement of freshwater aquaculture. Numerous territories of Sundarban delta are defenseless against saline water immersion and exposed to ecological risk during extraordinary climate occasions like violent winds what's more, storm floods 41. Earthen dikes enveloping the Sundarban islands keep the brackishwater away from the island furthermore, makes freshwater horticulture conceivable inside the islands.

Saline water immersion because of break of waterway dike, ocean level ascent and resulting disintegration combined with visit outrageous climate occasions which influence freshwater fish culture inside the island of Sundarban which is essentially freshwater environment 42. Abraham et al. 14 expressed that immersion because of flood is exceptionally positioned issue in West Bengal. Because of substantial showers during July to September, a huge piece of the West Bengal freshwater fish ranches get immersed, at last loosing dominant part of the stock 14. Dry spell because of inconsistent conduct of precipitation is at some point detailed from Sundarban. Ailment episodes are not kidding restricting components to aquaculture creation in West Bengal 35 and other Asian countries¹². In the midst of a few possibilities aquaculture area is confronting numerous difficulties like constrained accessibility of sources of info, for example, fish seeds 43 and takes care of 44 in required amount at crucial occasions and non-selection of suggested rehearses. Absence of innovative information for logical fish cultivating, absence of institutional help what's more, specialized skill and social issues were accounted for as normal issues in aquaculture part of India .

Conclusion

The Indian Sundarban district has a huge potential for freshwater aquaculture improvement in the midst of a few limitations. Improvement of freshwater aquaculture in Sundarban is focused on carp cultivating. It is rehearsed for the most part in terrace lakes. Aquaculture is likewise done in enormous lakes (either possessed by people or scarcely any families), land-forming lakes (for the most part unearthed for horticultural water system reason) and low-lying immersed paddy fields. Reception of present day and logical advances will improve the fish creation and meet the vocation needs of the area. Over reliance of aquaculture on explicit species ought to be kept away from and accentuation ought to be given on species enhancement. Expansion of high worth species ought to likewise be analyzed. Linkage between the fisheries yield and powerful promoting and preparing framework has been powerless in Sundarban area which should be fortified for better come back to the ranchers. Potential moves in flowing examples and saltiness systems will have suggestions for brackishwater aquaculture winning in this locale. To confront these difficulties aquaculture of Sundarban should be bolstered by the proper legitimate and institutional systems just as dynamic collaboration of different partners. A solid specialized, money related and augmentation administrations from government associations what's more, investigate establishments are desperately required for supportable improvement of aquaculture in Sundarban delta. The Indian Sundarban locale has a monstrous potential for freshwater aquaculture advancement in the midst of a few imperatives. Advancement of freshwater aquaculture in Sundarban is focused on carp cultivating. It is drilled generally in lawn lakes. Aquaculture is additionally done in large lakes (either possessed by people or barely any families), land-forming lakes (basically unearthed for farming water system reason) and low-lying immersed paddy fields. Appropriation of present day and logical advancements will improve

Reference

World Fisheries and Aquaculture: Opportunities and Challenges. Food and Agriculture Organization of the United Nations, Rome, 223 p.

Ayyappan, S. 2000. Technological potential for development of freshwater aquaculture. In Krishnan, M. and Birthal, P.S. (eds). Aquacultural Development of India: Problems and Prospects. National Centre for Agricultural Economics and Policy Research, New Delhi, India, pp. 109–115.

Ayyappan, S. and Jena, J.K. 2001. Sustainable freshwater aquaculture in India. In Pandian, T.J. (eds). Sustainable Indian Fisheries. National Academy of Agricultural Sciences, New Delhi, India, pp. 88–131.

Pillai, N.G.K. and Katiha, P.K. 2004. Evolution of Fisheries and Aquaculture in India. Central Marine Fisheries Research Institute, Kochi, India, 34 p.

Government of India 2014. Handbook on Fisheries Statistics, Ministry of Agriculture, Department of Animal Husbandry, Dairying and Fisheries, Government of India, Krishi Bhavan, New Delhi.

Chatterjee, M., Shankar, D., Sen, G.K., Sanyal, P., Sundar, D., Michael, G.S., Chatterjee, A., Amol, P., Mukherjee, D., Suprit, K., Mukherjee, A., Vijith, V., Chatterjee, S., Basu, A., Das, M., Chakraborti, S., Kalla, A., Misra, S.K., Mukhopadhyay, S., Mandal, G. and Sarkar, K. 2013.

MAS INTERNATIONAL EUROPEAN CONFERENCE ON MATHEMATICS-ENGINEERING-NATURAL & MEDICAL SCIENCES-XII

Tidal variations in the Sundarban estuarine system, India. *Journal of Earth System Science* 122:899-933.

Gopal, B. and Chauhan, M. 2006. Biodiversity and its conservation in the Sundarban mangrove ecosystem. *Aquatic Science* 68:338–354.

Government of West Bengal 2010. Annual Report 2010-11. Department of Fisheries, Aquaculture, Aquatic Resources and Fishing Harbours, Government of West Bengal, Salt Lake, Kolkata.

World Bank 2014. Building Resilience for Sustainable Development of the Sundarbans: Through Estuary Management, Poverty Reduction, and Biodiversity Conservation Strategy Report (Report No. 88061 – IN). South Asia region, Sustainable Development Department, Environment and Water Resources Management Unit, The International Bank for Reconstruction and Development, The World Bank, Washington, DC, 290 p.

Muruganandam, M., Pande, R. K., Sharda, V. N., Mishra, P. K. And Raizada, A. 2014. Myths, perceptions and knowledge of farmers on basics of fishes and fish farming in western Himalayas: A review of realities. *Indian Journal of Traditional Knowledge* 13(1):70-86.

Thrusfield, M. 1995. *Veterinary Epidemiology*. 2nd edn. Blackwell Science Ltd, London, 496 p.

Arthur, J.R., Phillips, M.J., Subasinghe, R.P., Reantaso, M.B. and Macrae, I.H. (eds). 2002. Primary Aquatic Animal Health Care in Rural, Small-scale, Aquaculture Development. Technical Proceedings of the Asian Regional Scoping Workshop, Dhaka, Bangladesh, 27-30 September, 1999. FAO Fisheries Technical Paper No. 406. FAO, Rome, 382 p.

Khan, M. H. and Lilley, J. H. 2002. Risk factors and socio-economic impacts associated with epizootic ulcerative syndrome (EUS) in Bangladesh. In Arthur, J. R., Phillips, M.J., Subasinghe, R.P., Reantaso, M.B. and Macrae, I.H. (eds). Primary Aquatic Animal Health Care in Rural, Small-scale Aquaculture Development. FAO Fisheries Technical Paper No. 406. FAO, Rome, pp. 27-39.

Abraham, T.J., Sil, S.K. and Vineetha, P. 2010. A comparative study of the aquaculture practices adopted by fish farmers in Andhra Pradesh and West Bengal. *Indian Journal of Fisheries* 57:41-48.

Das, A., Kumar, N.R., Krishnan, M., Yadav, V.K. and Immanuel, S. 2014. Adoption of improved aquaculture technologies in Tripura, India. *Fishery Technology* 51:58-63.

Brown, D. and Brooks, A. 2002. A survey of disease impact and awareness in pond aquaculture in Bangladesh, the Fisheries and Training Extension Project-Phase II. In Arthur, J. R., Phillips, M.J., Subasinghe, R.P., Reantaso, M.B. and Macrae, I.H. (eds). Primary Aquatic Animal Health Care in Rural, Small-scale Aquaculture Development. FAO Fisheries Technical Paper No. 406. FAO, Rome, pp. 85-93.

Wilkinson, S. 2002. Aquaculture fundamentals: The use of lime, gypsum, alum and potassium permanganate in water quality management. *Aquaculture Asia* 7(2):12-14.

Boyd, C.E. and Massaut, L. 1999. Risks associated with the use of chemicals in pond aquaculture. *Aquaculture Engineering* 20:113-132.

Mitra, A., Mukherjee, A. and Mandal, B. 2006. Notes on the wasted ichthyoplankton due to wild harvest of tiger prawn seed from Junput (East Midnapur district), West Bengal. *Journal of Environment and Sociobiology* 3(2):171–172.

**MAS INTERNATIONAL EUROPEAN CONFERENCE ON
MATHEMATICS-ENGINEERING-NATURAL & MEDICAL SCIENCES-XII**

Mukherjee, A. and Mandal, B. 2007. A note on fin fish juveniles wasted during harvest of tiger prawn seed in Chotomollakhali Island, West Bengal. *Bionotes* 9(4):124.

Hoq, M.E. 2007. An analysis of fisheries exploitation and management practices in Sundarbans mangrove ecosystem, Bangladesh. *Ocean and Coastal Management* 50:411–427.

Ahmed, N., Occhipinti-Ambrogi, A. and Muir, J.F. 2013. The impact of climate change on prawn postlarvae fishing in coastal Bangladesh: Socioeconomic and ecological perspectives. *Marine Policy* 39:224- 233.

Knowler, D., Philcox, N., Nathan, S., Delamare, W., Haider, W. And Gupta, K. 2009. Assessing prospects for shrimp culture in the Indian Sundarbans: A combined simulation modelling and choice experiment approach. *Marine Policy* 33(4):613–623.

MacRae, I. H., Chapman, G., Nabi, S. M. N. and Dhar, G. C. 2002. A survey of health issues in carp/ *Macrobrachium* culture in rice fields in Bangladesh. In Arthur, J. R., Phillips, M.J., Subasinghe, R.P., Reantaso, M.B. and Macrae, I.H. (eds). *Primary Aquatic Animal Health Care in Rural, Small-scale Aquaculture Development*. FAO Fisheries Technical Paper No.

**THE MANGROOVES FOREST ARE IN A WAY TO DEGRADATION DUE TO
SALINITY**

ANUPMA KUMARI
MAGADH UNIVERSITY, BODH GAYA

Abstract

The mangroves forest of Sunderban are largest halophytic forests located in the southern part Bangladesh and west Bengal. This is the only largest ecosystem, which is divided between two countries. Mangrove ecosystems are productive wetlands found in tropical and subtropical regions which provide suitable shelter for both marine and terrestrial organisms. The Sunderbans are well known as a place endowed by rich bio-diversity. The large spatial and temporal variability in hydrological regimes (both freshwater inflows and the tides), topography and texture of the substratum, the salinity, and their interactions, result in very high habitat heterogeneity in the mangrove ecosystems, and thereby ensure an equally diverse biodiversity. The biodiversity includes about 350 species of vascular plants, 250 fishes and 300 birds, besides numerous species of phytoplankton, fungi, bacteria, zooplankton, benthic invertebrates, molluscs, reptiles, amphibians and mammals. Species composition and community structure vary east to west, and along the hydrological and salinity gradients. Sunderban is the habitat of many rare and endangered animals (Batagur baska, Pelochelys bibroni, Chelonia mydas), especially the Royal Bengal tiger (*Panthera tigris*). Javan rhino, wild buffalo, hog deer, and barking deer are now extinct from the area. Large areas of the Sunderban mangroves have been converted into paddy fields over the past two centuries, and more recently into shrimp farms. Human interferences with the landscape have widespread influence on wetlands and global warming. Consequently, water temperature and in-stream biogeochemical processes are altered. It covers now an area of about one million hectares in the delta of the rivers Ganges, Brahmaputra, and Meghna.

Salinity is an important impediment on the growth of mangrove forest and distribution. The physiographic nature of the soil and water is being changed by the salinity intrusion, which affects supporting services of the flora, fauna and fisheries such as habitat. Sea level rise poses a major threat to mangrove ecosystems through sediment erosion, inundation stress and increased salinity at landward zones. These problems will be exacerbated for mangrove stands that are subjected to 'coastal squeeze', i.e., where landward migration is restricted by topography or human developments. Increased air temperatures and atmospheric CO₂ concentrations are also likely to increase. The rivers in the western sector of the Indian Sundarbans (Hooghly and Muriganga), being continuations of the River Ganges, receive the snow melt water of the Himalayas. The Himalayan glaciers, popularly called "the lifelines of major Indian rivers," are retreating rapidly. Increased air temperatures and atmospheric CO₂ concentrations are also likely to increase mangrove productivity, change phenological patterns, and expand the ranges of mangrove forests into higher latitudes. Global warming melts glaciers, brings more rain, and transfers more fresh water into estuaries, coasts and bays is a generalization that does not hold uniformly in all the segments of the Indian Sundarbans. The western and eastern stations showed a significant and continuous decrease in salinity (~2.0 psu/decade and ~1.7 psu/decade respectively). The 30.2 km-long Gangotri Glacier is receding rapidly: the rate of retreat over the last three decades has been found to be more than three

times the rate during the previous 200 years . Global warming is felt through rising temperature and increased salinity in the river mouths due to intrusion of saline water via tides from the adjacent Bay of Bengal region. The eastern region which has shown a decrease in salinity levels (1.71 psu/decade) is due to the influx of the large discharges of the Padma river. salinity decreased by almost 2.65 psu for pre-monsoon over the 23 years in the west, in contrast to the central sector. There is increase of salinity, probably due to huge siltation and slow drying of Bidyadhari River since the 16th Century that was once a conveyor belt for fresh water from the Himalayas to the eastern Indian Sundarbans . In Sundarbans, 65 species (large trees 10, small trees 20, shrubs 25 and herbs 10 including two ferns) of 37 families have been reported . Recently, a total of 115 species have been recorded, where, in addition to more than 10 large trees, seven more (*Avicennia marina*, *Bruguiera parviflora*, *B. sexangula*, *Ceriops candellana*, *C. roxburghiana*, *C. tagal*, *Rhizophora apiculata*) are added including 10 species of sedges, five species of grasses, and many species from other groups [3]. The listed plants need a thorough check to identify true mangroves. However, if the seven tree species are found to be correctly identified, the number of true mangrove trees would be 17. The Indian part of the Sundarbans has 34 true and 12 obligate (epiphytic and other plants occurring also outside the Sundarbans) mangroves.

Keywords: The Mangroves Forest, Degradation, Salinity

Anupama Kumari

Magadh University, Bodh Gaya

Abstract

Indian Sunderban, part of the three river delta system and the world's largest contiguous mangrove ecosystem is world heritage site with unique flora and fauna. It is also home for four and half million people living in acute poverty and developmental deficit, relying mostly on biological productivity of the land and related ecosystem. A conflict prevails between resource utilization, survival strategies of desperate poor people and protection of ecosystem in its natural state. There are many developmental and management related issues to be resolved apart from the ecological ones. The ecosystem of the region is in deep crisis for a number of historical and anthropogenic reasons including global climate change. A more sustainable path has to be achieved. The state is endowed with impressive littoral forests of Sunderbans to the luxuriant forests of the Himalayan foothills and the temperate forests and alpine grasslands in the north. Mangroves are the salt-tolerant evergreen forests found along the sheltered coastlines, shallow-water lagoons, estuaries, rivers or deltas in 124 tropical and the subtropical countries and areas, mainly growing on soft substrates . About 15.2 million ha mangroves were estimated to exist worldwide in 2005 . The most extensive mangrove area is found in Asia, followed by Africa and North and Central America. The Sunderban Biosphere Reserve (SBR), covering an area of 9,630 km² in the delta of great rivers, the Ganges and Brahmaputra, lies within 21°32'-22°40'N and 88°05'-89°00'E in districts of South and North 24- Parganas in West Bengal The biosphere reserve is bounded by the Hoogly river to the west, the Bay of Bengal in the south, the Harinbhanga Raimangal river in the east along the Bangladesh boundary and the Dampier-Hodges line in the north. The biosphere came into being on 29th March, 1989 as a part of the Man and Biosphere Programme of UNESCO to conserve the unique biodiversity of the area. The SBR consists of many protected areas, viz., National Park, Tiger Reserve and three Wildlife Sanctuaries-Sajnekhali, Haliday Island and Lothian Island. The study attempts to assess the biological richness in Sunderban Biosphere Reserve (SBR) using a three-pronged approach i.e. satellite image (IRS 1D LISS-III) for vegetation/land use stratification, landscape analysis for disturbance regimes assessment and the disturbance regimes together with the ecosystem uniqueness, species richness and importance value for biological richness modelling. The study showed that four mangrove categories, viz., Avicennia, Phoenix, mixed mangroves and mangrove scrub, cover.

Keywords: Conservation, Mangrooves, Ecosystem

Introduction

Biodiversity of the Sundarbans

The Sundarbans is one of the largest mangrove forests in the world and takes its name from the dominant mangrove species, *Heritiera fomes*, locally known as sundari tree. Mangrove forests are biologically productive ecosystems and Sundarbans, too, is home to a very rich floral and faunal diversity. The region encompasses 85 per cent of mangrove habitat in India with 63 of 69 mangrove species found in the country .The algal flora of Sundarbans

has not been examined in detail, however, a total of 150 species has been identified in a recent study in the Indian part of Sundarban . A total number of 1,434 faunal species has been recorded, despite fragmented record of most faunal group in the region (Das and Nandi 1999). The rich estuarine and coastal marine life on the Indian side of the forest consists of 165 species, which includes hilsa (*Tenualosa ilisha*), spotted javelin fish (*Pomadasys hasta*) and others (Sanyal 1999). Seven amphibian and 59 reptile species are also present that include king cobra (*Ophiophagus hannah*), Indian spectacled cobra (*Naja naja*), Indian python (*Python molurus*), olive ridley turtle (*Lepidochelys olivacea*), green turtle (*Chelonia mydas*) and others (Naskar et al. 2004). Several species of kingfisher, white-bellied sea-eagle, herons, egrets, storks, sandpipers, etc., are the water fowl common in the region. Forest birds like woodpeckers, barbets, shrikes, drongos and others are also abundantly found. The Sundarbans support one of the largest population of tiger (*Panthera tigris*), spotted deer (*Cervus axis*) and wild boar (*Sus scrofa*) that occur in large numbers and form the principal prey of the tiger (Gopal and Chauhan 2006).

The village-fringe mangroves throughout the Indian Sunderbans have become ecologically fragile due to decades of unsustainable utilization practices and changes in hydrogeomorphic conditions. These mangroves are generally managed by the state-run Forest Department, community institutions and non-governmental organizations either separately or in collaboration. This paper attempts to assess the forest health of three such mangrove sites managed by these different institutions using quantitative vegetation surveys. Transformations of land use and land cover patterns of these sites from 2003 to 2013 have also been analyzed by geospatial techniques. Moreover, a qualitative estimation of the products and services provided by these mangroves was performed through participatory appraisals among the local forest dependents to comprehend the level of economic sustenance achieved. Results indicate that the overall performance of the site managed by a non-governmental organization in collaboration with local forest dependents was better than the other two sites managed by Forest Department and joint state-community institution respectively. Proper recognition of the causes of forest degradation and subsequent creation of zonal plantations with respect to species associations and utilization patterns were identified as the prime determinants of comparative success of the former site. Restructuring of community institutions by strengthening participation of actual forest dependents in decision making was suggested to be beneficial for mangrove restoration of sites performing poorly. In general, adaptation of collaborative approaches towards addressing the issues of tenure rights, legitimate sharing of mangrove produces and services, conflict resolutions among and within these institutions were found to be imperative for resilient management of these mangroves.

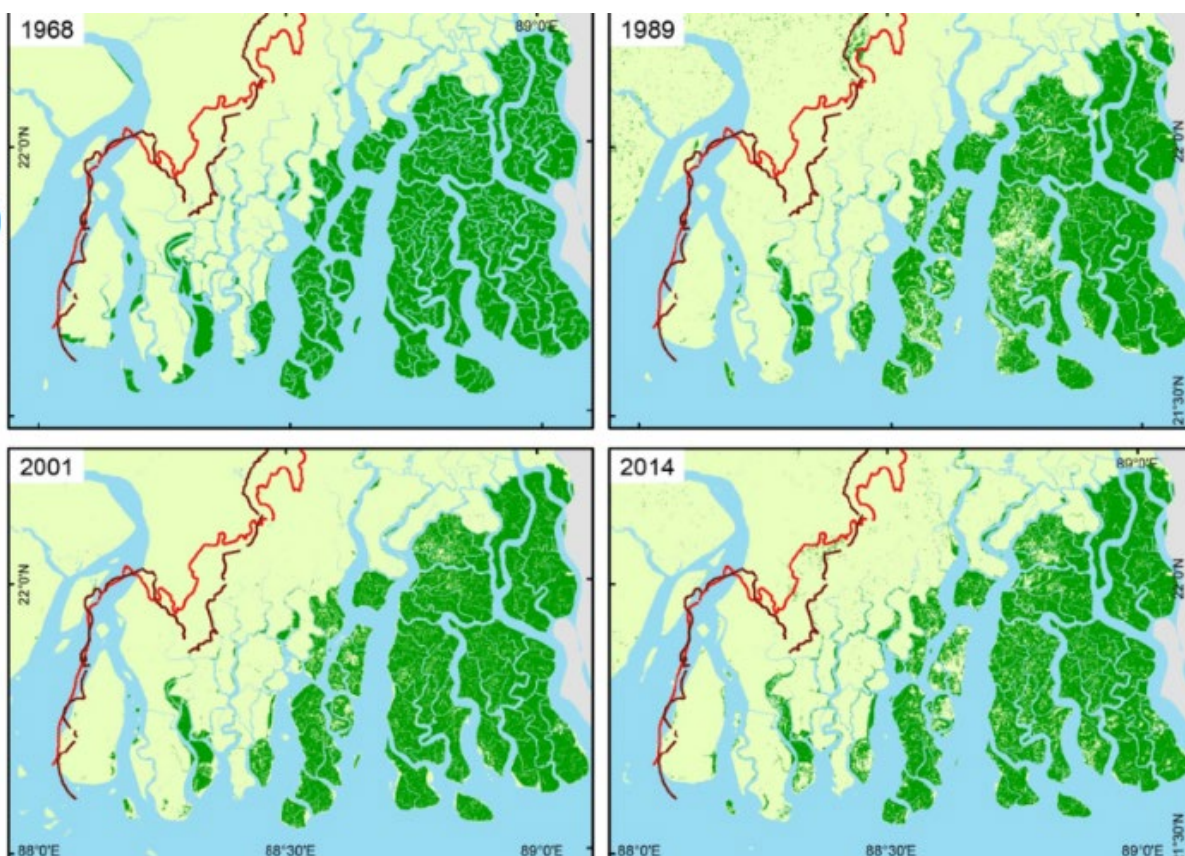


Fig –mangrooves forest

DATA

Data is taken from the list of Endangered species , red data book and research studies many research work are done in this field with the help of many articles and studies.

SPECIES DIVERSITY

Species diversity

Floristic diversity. Mangrove plants are usually divided into ‘true mangrove’ and ‘mangrove associate’ species. Globally, Duke (1992) recognized 69 species (belonging to 26 genera and 20 families) of true mangroves (major and minor, sensu Tomlinson, 1986) though recently Kathiresan and Bingham (2001) recognized only 65 species (22 genera and 16 families). Of these, at least 30 true mangroves occur in the Indian Sundarban. Debnath and Naskar (1999) identified 36 species as true mangroves. The Bangladesh part of the Sundarban differs mainly in the relative abundance of various species. Whereas members of the Rhizophoraceae and Avicenniaceae generally dominate most other mangrove areas, the Bangladesh part of the Sundarban has the greatest abundance of Sterculiaceae (*Heritiera*) and Euphorbiaceae (*Excoecaria*). Rhizophoraceae is the largest family with 11 species; four genera (*Rhizophora*, *Bruguiera*, *Avicennia* and *Sonneratia*) are represented by four species each and 5 genera (*Xylocarpus*, *Excoecaria*, *Thespesia*, *Derris* and *Tamarix*) have three species each. In Bangladesh there is only one species of *Bruguiera* (*B. parviflora*), whereas *Lumnitzera racemosa* and *Barringtonia* sp. are quite restricted in occurrence. Interestingly, the Sundarban supports fewer species than other mangrove areas in India and Southeast Asia. For example,

there are 45 mangrove species recorded from the Andaman and Nicobar Islands in the Bay of Bengal (Deshmukh et al., 1991a) and 55

Mangrove Ecosystem

Botrychia, Catenella and Caloglossa form a turfy covering on mangrove tree trunks and pneumatophores. At a lower level on the same trees, species of Caloglossa occur along with Chaetomorpha and Rhizoclonium. Species of Lyngbya, Oscillatoria and Microcoleus are common on pneumatophores and on the mud (Mandal and Naskar, 1994). Micro-organisms. The diversity of bacteria and fungi in the Sundarban has not been examined in detail, although some reports mention various microorganisms in the soils and on decomposing litter, besides pathogens infesting mangrove leaves (Pal and Purkayastha, 1992), fish, prawns and mammals (Das, 1999). Bacteria play a significant role in the mangrove environments and the Sundarban is expected to harbour a diverse bacterial community which is yet to be explored, unlike other Indian mangroves that are better known (Balasubramanian and Ajmal Khan, 2002). Furthermore, 32 species of lichens have also been recorded from the Indian Sundarban (Santra, 1998). Faunal diversity. The fauna of the Sundarban has attracted much attention because of the huge economic importance of many species. Crustaceans account for the largest proportion of animal biomass, with an estimated annual harvest of 40 million kilograms of fiddler crabs and 100 million kilograms of mud crabs (Hendrichs, 1975), besides a considerable harvest of shrimps, prawns and lobsters. The Sundarban supports very rich estuarine and coastal marine fisheries. Among the diversity of insects, honeybees hold an important position for the production of large quantities of honey and beeswax. Also, species from Bhitarkanika in the delta of the Brahmani and Baitarni rivers in Orissa on the east coast of India (WWF-I, 2001).

The total flora of the Sundarban has also been estimated differently in India and Bangladesh. In India, the total vascular flora (including mangrove associates) is estimated at 100 species representing 34 families and 57 genera. comprises of 30 species of trees, 32 shrubs, and the rest are herbs, grasses, sedges and two ferns. Many terrestrial upland plants within the Sundarban area have apparently not been included because Seidensticker and Hai (1983) recorded 334 plant species representing 245 genera from the Bangladesh Sundarban. This record lists numerous epiphytes and climbers, which include 13 orchids and several ferns. Several species in the Indian Sundarban do not occur in Bangladesh part, whereas many other species have been reported from Bangladesh. Interestingly, some species listed earlier from Bangladesh by Prain (1903) and Choudhury (1968), such as *Bruguiera sexangula*, *Rhizophora apiculata* and *Sonneratia alba*, were not recorded by Chaffey et al. (1985) and it is feared that these species may have disappeared from the eastern part of the Sundarban. *Heritiera fomes* (locally known as Sundari, the most important timber species from which Sundarban derives its name), which is abundant on the Bangladesh side, is not common on the Indian side where it is considered endangered. *Nypa fruticans* also has a limited occurrence within the Indian Sundarban; it is rapidly disappearing because of extensive exploitation. Based on their present status, *Aegiceras corniculatum*, *Kandelia candel*, *Rhizophora* sp., *Sonneratia acida*, *Sonneratia apetala* and *Sonneratia caseolaris* also require conservation measures). Algae. The algal flora of the Sundarban is very poorly known, but the available information suggests that the Sundarban has a highly diverse algal flora comprised of both benthic and planktonic forms ranging from the freshwater to marine environments. In the only study in Bangladesh, Islam (1973) reported 34 species of planktonic and benthic algae. Various published reports on the

algae provide only a patchy picture as they are based on short-term surveys of small isolated areas (see Pal et al., 1988; Santra et al., 1988, 1991). Sen et al. (1999) recorded 80 species of algae (32 Cyanophyceae and 27 Chlorophyceae) from different parts of the Indian Sundarban. These included only 7 species of diatoms, whereas Banerjee and Santra (1999) listed 48 species of diatoms from the Hooghly-Matla estuary alone. In a recent report, Naskar et al. (2004), however, list 150 species including 15 species of Rhodophyceae and 2 species of Phaeophyceae. Another study recorded 12 genera and 16 species of benthic algae belonging to the Cyanophyceae, Chlorophyceae, Chrysophyceae and Rhodophyceae. Species of the Sundarban is the only mangrove forest with a species of the tiger – the Royal Bengal Tiger (*Panthera tigris*). The total faunal diversity of the Sundarban .

Fish. The fish fauna of the Bangladesh Sundarban includes 53 pelagic and 124 demersal species). Of these, over 120 species have been recorded in commercial catches (Seidensticker and Hai, 1983). The Indian Sundarban supports a similar number of species (165 species; Sanyal, 1999). The fish diversity is directly related to the salinity gradients in different parts of the Sundarban. Whereas Mukherjee (1975a) considered only brackish water and marine species of fish in the Indian Sundarban, Sanyal (1999) expanded the list by including 31 freshwater species. Recently, Islam and Haque (2004), in their detailed review of the fisheries resources of Bangladesh Sundarban, have described the distribution of fish species along the salinity gradients. Fishes such as *Harpodon nehereus*, *Trichiurus savala*, *Setipinna* sp., *Pampus* sp., *Sardinella* sp. and *Salar* sp. occur in areas with salinity, whereas *Pangasius pangasius* and *Lates calcarifer* occur in freshwater areas or those with very low salinity. The dominant fishes in brackish water zones (moderate salinity) are Hilsa (*Tenualosa*) *ilisha*, *Pomadasys* *hasta*, *Polynemus* sp. and *Coilia* sp. Several marine fishes also often occur within the mangroves.

Reptiles and amphibia. The species richness of both reptiles and amphibia is also similar in the Sundarbans of the two countries: 8 and 7 amphibians and 53 and 59 reptiles in Bangladesh and India, respectively), Elapidae (4 species) and Typhlopidae and Viperidae (2 species each). Noteworthy species are the king cobra (*Ophiophagus* *Hannah*), Indian spectacled cobra (*Naja naja*) and Indian python (*Python molurus*). Among 14 turtles and tortoises, six species are nearly extinct or threatened (Table 3). Of the four marine turtles, the olive ridley turtle (*Lepidochelys olivacea*), though endangered, is the most abundant. The green turtle (*Chelonia mydas*) is rare due to excessive fishing, while the loggerhead (*Caretta caretta* and hawksbill (*Eretmochelys imbricata*) are not common (Hussain and Acharya, 1994). The river terrapin (*Batagur baska*) and three of the 14 species of lizards and monitors are also endangered (Table 3). **Birds.** The avifauna of the Sundarban is highly varied and very rich in species. In Bangladesh, 315 species have been recorded (Sarker and Sarker, 1986; Hussain and Acharya, 1994). These include about 95 species of waterfowl (Scott, 1989) and 38 species of raptors (Sarker, 1985a,b). Several species of kingfishers (including brown-winged and stork-billed kingfishers, *Pelargopsis* *mauropterus* and *P. capensis*, respectively) and the magnificent white-bellied sea-eagle (*Haliaeetus leucogaster*) are quite common, as are many herons, egrets, storks, sandpipers, whimbrels, curlews and other waders. There are also many species of gulls and terns, especially along the coast and the larger waterways. The grey headed fish eagle (*Ichthyophaga ichthyaetus*) and Pallas's fish-eagle (*Haliaeetus leucoryphus*) are quite rare. Apart from the species particularly associated with the sea and wetlands, there is also a considerable variety of forest birds, such as woodpeckers, barbets, shrikes, drongos, mynahs,

**MAS INTERNATIONAL EUROPEAN CONFERENCE ON
MATHEMATICS-ENGINEERING-NATURAL & MEDICAL SCIENCES-XII**

minuets, babblers and many others. The Indian side of the Sundarban has a similar avian diversity

Family	Species	Status
Rhizophoraceae	1. <i>Rhizophora apiculata</i>	Occasional
	2. <i>Bruguiera parviflora</i>	Occasional
	3. <i>Ceriops decandra</i>	Occasional
	4. <i>Kandelia candel</i>	Occasional
Meliaceae	5. <i>Aglaia cucullata</i>	Rare
	6. <i>Xylocarpus mekongensis</i>	Threatened
	7. <i>Xylocarpus granatum</i>	Threatened
Sterculiaceae	8. <i>Heritiera fomes</i>	Threatened
Rubiaceae	9. <i>Scyphiphora hydrphyllacea</i>	Very Rare
	10. <i>Hydrophyllax maritime</i>	Very Rare
Tiliaceae	11. <i>Brownlowia lanceolata</i>	Occasional
Arecaceae	12. <i>Nypa fruticans</i>	Occasional
Acanthaceae	13. <i>Acanthus volubilis</i>	Very Rare
Papilionaceae	14. <i>Cynometra ramiflora</i>	Rare
	15. <i>Dalbergia spinosa</i>	Rare
Sapotaceae	16. <i>Manilkara hexandra</i>	Rare
Rutaceae	17. <i>Atalantia correa</i>	Very Rare

Table –rare species

CHALLENGES

Vulnerability to climate change Lying in the low coastal zone makes the Sundarbans more vulnerable to the effects of the changing climatic conditions such as floods, cyclones, relative sea-level rise, and coastline erosion. Studies suggest that climate change is leading to increased salinity and higher tidal surges, and permanent submergence of land mass. This results in loss of critical habitat for biodiversity, both fauna and flora. It has been found that the relative mean sea-level in Sagar Island (in the Sundarbans) and adjoining areas of the Bay of Bengal is rising at the rate of 12 mm per year, as compared to the global average of 2 mm per year. The projected loss of area for 12 of the most vulnerable sea-facing islands by 2020 is between 3 per cent and 32 per cent. Such drastic changes in climatic conditions are also leading to frequently occurring cyclonic storms.

2. Exploitation of natural resources

The Sundarbans is home to a large human population which is riddled with poverty. Due to inadequate infrastructure, health-care, education and transport, as well as restricted livelihood options, communities have to struggle for even their basic requirements. There are approximately 1100 villages in the Sundarbans region, of which 62 are situated on the fringes of the forest. A majority of the population here depends on fuelwood for thermal energy, as biomass in the villages is inadequate to meet their energy demands. They are heavily dependent on forest resources such as fish and crab, as their source of livelihood. This biotic pressure and unsustainable exploitation of forest resources leads to degradation of the natural habitat, resulting in loss of biodiversity.

3. Human-wildlife conflict

The human population in the Sundarbans is heavily dependent on biodiversity resources for their livelihood. Due to their proximity to the mangrove forests, they are exposed to a unique set of biotic hazards, ranging from snakebites to tiger attacks. Incidents of wildlife straying into the villages are also on the rise. Records show that between 1985 and 2008, 789 persons were attacked by tigers, out of which 666 succumbed to their injuries, and a total of 279 incidents of

tiger-straying cases occurred in the fringe villages. This level of conflict leads to antagonism towards wildlife conservation initiatives

Measures to conservation of mangroves

Certain measures should be adopted to save the Sundarbans :

Creating awareness – People of the area should be made aware about the issues faced by the Sundarbans. The farmers and their families need to be made to understand that they should embrace the issues or changes that they are facing. They should be made aware of the consequences of man made hazards like deforestation etc.

Public -Private partnership – Various international organizations, NGO's or other banks should come forward to grant the funds to save Sundarbans. The local communities should be provided with funds so that they can consume other sources of nourishment. A regular auditing on the usage of the fund will be very helpful.

Encouragement to eco-tourism – The local communities should be a participant of the friendly tourism practices in order to encourage eco-tourism. A community based eco-tourism model should be developed which would aim to benefit the whole of the community.

Creating alternative sources of livelihood – Both the governments of India and Bangladesh should introduce alternatives for income generation so that the local people need not depend on the mangrove forest resources. People living nearby the mangrove forests depend on the firewood, meat, fish etc.

- **Legislative measures** – Impressive legislative measures should be undertaken and implemented by both the governments of India and Bangladesh. A frequent check should be carried out in order to check whether the rules are implemented or not. The neighboring countries like Nepal, Bhutan, China etc should also contribute in whichever way they can to improve the condition of the Sundarbans.

Effective use of IT– The Information Technology should be utilized effectively to spread the awareness regarding the issue of Sundarbans. Students should be provided with an opportunity to take part in the contests like essay writing, brochure designing etc related to the topic of Sundarbans. This will inculcate in them a sense of responsibility towards the environment. Social networking sites like Facebook, Twitter etc should spread the message of saving the Sundarbans.

- **Mangrove plantation** – The plantation of mangrove forests should be encouraged because it will capture the rate of coastal erosion. Mangrove plantation would increase the survival of the Sundarbans. Unless such large scale measures involving the people are taken, Sundarbans might disappear from the maps of both the countries.

Responsibility of the Localities – Apart from the Center and State government initiatives, the local communities themselves has to take up some action plan. The people can adopt the concept of backyard farming instead of using the salinated lands. At times, the salinated lands might be used by the people. In such cases, the Central or state government should provide the seeds that would grow in the salinated lands. The local community should concentrate on preserving and protecting the wildlife especially the endangered species like the Bengal Tiger etc.

World Wide Fund (WWF) India have partnered with the Government of West Bengal and local communities in the Sundarban to help save the world's only mangrove tiger habitat. They are working with a vision to create climate-smart villages in the

MAS INTERNATIONAL EUROPEAN CONFERENCE ON MATHEMATICS-ENGINEERING-NATURAL & MEDICAL SCIENCES-XII

Sundarbans. Climate Smart Villages are sites where farmers, researchers, local government and the private sector come together to understand which climate smart agriculture practices are best suited for a particular location.

The project will use technology to solve several of the issues faced in the region. This includes building datasets on impacts of climate change on estuarine ecosystem. Through this project, in partnership with the West Bengal Forest Directorate and Indian Institute of Science Education and Research (IISER) Kolkata, two Sundarbans ecological observatories will be set up, each featuring data loggers, monitoring buoys and an onsite laboratory.

Farmland productivity: The initiative also focuses on enhancing farmland productivity through low-cost measures and adjusting crop calendars to deal with climate change.

The initiative will also include work towards securing habitats for tigers and prey species. The project at Sundarbans is part of a global movement, Project CAT (Conserving Acres for Tigers), aimed at building healthy habitats for Tigers by conserving six million acres of protected land across four countries.

CONCLUSION

Ecosystem and biodiversity is conserved, it is important that the governance system is redesigned to improve the natural resource base legally accessible to the population, supporting them in uplifting their income generation capacity and reducing their dependence on the conserved area. This would require extensive planning that considers the challenges in all spheres of development and socio-economic pressures, in alignment with the impacts of climate change on the forest and lives of the people. The planning process will need to include integrated efforts for restricting growth of population in the region. Policies targeted at universal education, eradication of gender bias and women empowerment will need to be strengthened to curb the growing pressure on the ecosystem. To address the region's conservation challenges, internalisation of a development plan with strong components on land management, sustainability of natural resource base, disaster management and livelihood management in the context of climate change is imperative. Substantial focus must be placed on relocating and rehabilitating the population living in critically vulnerable areas of the islands, identified based on a zone-wise vulnerability assessment of the region. Given the significance of embankments on the living conditions of people, the government will need to take initiatives to reconstruct embankments based on renewed designs in sync with the land and soil conditions, using raw materials that can withstand high-intensity weather events. Further, efforts in the direction of strengthening already existing capacity building initiatives to reduce dependence on the land and forest, in collaboration with civil society organisations and regional stakeholders, can support internalisation of alternative livelihood opportunities.

REFERENCE

Bhattacharya, Asok Kumar. 1999. 'Embankments as large-scale constructions in the Indian Sundarbans and their impacts on the coastal ecosystems', in Sundarbans Mangal, edited by D.N. Guha Bakshi, P. Sanyal and K.R. Naskar, pp. 143–149. Calcutta: Naya Prokash.

Bhattacharya, S. 2012. 'The tiger widows of the Sundarbans.' Online at: <http://www.thenational.ae/news/world/south-asia/the-tiger-widows-of-the-sundarbans> (viewed on November 2, 2016).

**MAS INTERNATIONAL EUROPEAN CONFERENCE ON
MATHEMATICS-ENGINEERING-NATURAL & MEDICAL SCIENCES-XII**

Bhattacharyya, Silanjan. 1998. 'Sunderban: Dying a slow death', in *The Hindu Survey of the Environment* 1998, pp. 89–94.

Census of India. 2001. *Primary Census Abstract: West Bengal and Orissa*. New Delhi: Office of the Registrar General, Government of India.

Chakrabarti, Ranjan. 2009. 'Local People and the Global Tiger: An Environmental History of the Sundarbans,' *Global Environment* 3: 72–95. Online at: <http://www.environmentandsociety.org/node/4614> (viewed on October 23, 2016).

Chakraborty, S.C. 2005. 'The Sundarbans - Terrain, Legends, Gods & Myths,' *Geographical Review of India* 67(1): 1–11.

Chowdhury, A.N., P. Sarkar, S. Das, T. Maity, A. Brahma and S. Banerjee. 2008. 'An ethnographic study of health system at Maisani Island: role of HCPs,' *Journal of Indian Anthropological Society* 42: 165–76.

Danda, A. A., G. Sriskanthan, A. Ghosh, J. Bandyopadhyay and S. Hazra. 2011. 'Indian Sundarbans Delta: A Vision'. New Delhi: World Wide Fund for Nature-India. Online at: http://awsassets.wwfindia.org/downloads/indian_sundarbans_delta__a_vision.pdf. (Viewed on October 31, 2016).

Danda, Anamitra A. 2007. 'Surviving in the Sundarbans: Threats and Responses'. PhD Thesis. University of Twente, Enschede, The Netherlands.

Dasgupta, B. 1984. 'Agricultural Labour under Colonial, Semi-Capitalist and Capitalist Conditions: A Case Study of West Bengal,' *Economic and Political Weekly* 19(39): pp. A129–A133; A136–A148.

Debnath, A. 2013. 'Condition of agricultural productivity of Gosaba C.D. block, South 24 Parganas, West Bengal, India after severe cyclonic Aila,' *International Journal of Scientific Research Publications* 3(7): pp. 2250–3153.

Eaton, R.M. 1990. 'Human settlement and colonization in the Sundarbans, 1200-1750,' *Agriculture and Human Values* 7(2): 6–16

SHRIMP CULTURE

Anupama Kumari

Magadh University, Bodh Gaya

Abstract

Sunderban backwoods are a stretch of invulnerable woods lying at portion of southern tip of Indian condition of west Bengal and stretches to Bangladesh Mangroves are among the organically most beneficial biological systems on earth and possess roughly 75% of the world's tropical coastlines. Mangroves bolster in excess of 80 types of verdure and 1300 types of fauna and go about as nursery natural surroundings for fish and shellfish of business esteem. Furthermore, mangrove swamps are powerful in silt catching, supplement reusing and assurance of shorelines from disintegration just as give countless socio-financially fundamental merchandise, for example, food, fuel wood, lumber, nectar, wax and tannin. It is additionally a piece of world biggest delta shaped by the three waterways Ganga, Brahmaputra and Meghna. Constant redirection of land from mangroves to other land utilizes, mostly agribusiness, shrimp lakes, home and weighty deforestation from eighteenth century onwards brought about progressive drop of timberland territory. The Indian piece of Sunderbans is of 9630 sq. km in region containing 54 occupied and 52 forested islands. There are 4 unmistakable zones for the board purposes in the Indian Sunderbans, in particular (1) Core zone (1700 sq. km) of the all around moderated Tiger Reserve, (2) Manipulation zone (2400 sq. km) of mangroves encompassing the center territories, (3) Restoration zone (200 sq. km) of corrupted and upset mangroves and (4) Balance zone of non-timberland land employments. The last three zones are transitional in nature and need extraordinary consideration if there should arise an occurrence of afforestation exercises, soil-water-flowing asset the board, horticulture, aquaculture and human asset advancement to decrease the anthropogenic obstruction and progressive devastation of mangroves in the center zones. The entire of Sunderbans is described by an assortment of angling and aquacultural exercises involving waterfront fisheries, salty water aquaculture, estuarine and riverine fisheries, riverside prawn seed assortment, shrimp cultivating and a few freshwater aquaculture variations. Albeit beach front and estuarine angling and riverside prawn seed assortment connect the majority of the workforce of the Sunderbans containing men, ladies and kids, the shrimp ranches and harsh water paddy cum prawn culture frameworks are additionally getting one of the significant areas of moment money pay for proprietors of enormous landholdings.

INTRODUCTION

Brackishwater cultivating in India has been a customary practice for quite a long time and limited mostly to the bheries (synthetic impoundments in seaside wetlands) in Sunderbans, West Bengal, India. Logical brackishwater aquaculture began in India with tiger shrimp (*Penaeus monodon*) cultivating started during mid 1990s. With the presentation of Pacific white shrimp (*Penaeus vannamei*) during 2009, Indian aquaculture industry has developed quickly. What's more, certain marine/brackishwater fish, for example, seabass, mullets, milkfish and pearlspot have demonstrated a great deal of guarantee. Fruitful training of indigenous Indian white shrimp (*Penaeus indicus*) and exploratory cultivating utilizing incubation facility created seed by ICAR-Central Institute of Brackishwater Aquaculture

(CIBA) indicated empowering results. Other than household utilization, fishery items sent out from the state were 1.05 million tons of significant worth Indian rupee (INR) 33,4420 million during 2015-16. Indian Sundarbans situated in the south-east finish of West Bengal offers amicable condition for development of assortment of fishes and shrimps. Solidified shrimp and live crab are the fundamental fare things from brackishwater aquaculture in Sundarbans. As the financial advantage is more prominent, there is an inclination of Sundarbans inhabitants to move from angling to aquaculture for better occupation. About 25% of 2.1 lakh ha potential brackishwater regions in West Bengal are under use and the state has been the Indian head in tiger shrimp creation while ranchers embraced white leg shrimp cultivating late contrasted with other Indian sea states after fruitful exhibit by ICAR-CIBA at its examination community at Kakdwip. There is huge extension for manageable improvement of brackishwater aquaculture in Sundarbans to satisfy the work need using the unused and underused regions and receiving propelled cultivating rehearses. Difficulties looked by Sundarbans aquafarmers should be handled by suitable administration instruments like social preparation of water makers, innovation evaluation and refinement, participatory arranging, and limit working of key partners.

Catchphrases Sundarbans ● Brackishwater aquaculture ● Technology improvement ● Biosecurity measures ● Species enhancement ● Sustainable advancement ● Livelihood ● Opportunities ● Challenges

Harvesting is done normally during full moon and 2 days before and 3 days after the new moon period, with the help of traps made of bamboo and cast net. The rearing areas depth is ranging between 1-3 ft the water exchange is done between lunar phases. The natural growth of filamentous algae and other micro/macrophytes in these low lying shallow areas, provides excellent environment for natural growth of shrimps. Traditional farming does not require supplement food. But nowadays farmer provides supplement food.

Traditional rice-shrimp culture systems

Combined culture of rice with shrimp presents particular challenges that have apparently been overcome through local innovation in a number of locations. Integration of rice with freshwater prawn farming in Bangladesh has been described extensively and the benefits of traditional gher systems are well known and evaluated (Ahmed and Garnett 2010; Ahmed et al. 2008, 2010a). Systems for the integration of rice and marine shrimp culture have been described to a lesser extent, for example, Wahab et al. (2003) and Azad et al. (2009) but these accounts point to a number of important techniques and innovations that make such systems interesting to evaluate from the perspective of resilience and ecocultural development. Considering the resilience of activities it is important to place developments within a historical context, giving insight to the continuity of activities, evolution of practices in response to trends and shocks and intergenerational arrangements and transfers. Sundarbans mangrove forests provided a significant habitat for shrimp. The canals and low-lying depression of the Sundarbans, earlier used by the poor fishers have been turned into shrimp farms (Islam and Wahab 2005). Declining production in countries where shrimp farming was first established, owing to water and sediment quality problems and shrimp disease outbreaks, contributing to rising shrimp prices globally, prompted commercial, export oriented shrimp culture development during the 1980s in Bangladesh (Azad et al. 2009). Moreover, Milstein et al.

(2005; p. 501) noted that a 'thriving market economy involving the coastal aquaculture of marine shrimp (*Penaeus monodon*) in Bangladesh has gradually developed during the last half-century, evolving from natural stocking in post-harvest rice fields flooded with incoming brackishwater from the Bay of Bengal'. However, rapid development of shrimp farming had significant negative environmental impacts on the Sundarbans mangrove forests. Ownership of shrimp farms in the Sundarbans is controlled by better-off and powerful people (Deb 1998). According to Hoq (2008) over the last two decades shrimp culture in the Sundarbans has changed from traditional to extensive farming and there is an increasing tendency toward improved extensive farming. Shrimp farming in much of the Sundarbans is analogous to organic farming, and there is a huge potential for certified organic shrimp culture.

Improvement in Traditional Farming

Polyculture is conceivably more economical than monoculture is, because of the reutilization of waste results of one animal varieties by another. Shrimp polyculture speaks to a significant option in contrast to understanding and/or limiting a portion of the issues (for example ecological contamination, maladies and diminishing costs) that shrimp aquaculture has looked in the previous two decades. A few animal groups from assorted trophic levels can possibly be co-refined with shrimps. A decent information on the species that are possibility for polyculture and accessibility of a sufficiently planned culture framework are the most significant focuses to consider when co-refined shrimp is polished with different species (Martinez-Porchas et al, 2010). Change old enough old conventional brackishwater polyculture is a sensible decision towards economical escalation of aquaculture.

Determination of Compatible Species for Polyculture

Change of conventional brackishwater polyculture through determination of perfect species for practical better creation and benefit were tried by KRC of ICAR-CIBA including tiger shrimp (*Penaeus monodon*), Gray mullet (*Mugil cephalus*), Parsia (*Liza parsia*), and Milkfish (*Chanos*) to survey the ideal species blend. Nearness all things considered and nonattendance of one fish animal types in every mix were considered as medicines. The investigation was completed at Manmathapur-Mundapara town (21.879493-21.894148°N, 88.263668-88.276199°E) of Kakdwip obstruct in Indian Sundarbans for 240 days during 2013. Lakes were readied observing standard method and raised life forms were taken care of with financially accessible sinking pellet feed (Crude Protein: 24%, Crude fat: 3%) @ 2-10% of fish biomass. Tiger shrimp, dark mullet, parsia and milkfish were loaded @ 2, 0.5, 0.5 and 0.25 no m⁻², individually, which were chosen dependent on typical practice in conventional cultivating as uncovered from a semi-organized meeting based study. Best development (44.17±1.53 g) of tiger shrimp was accomplished in nearness of all species with most minimal endurance (17.9±3.4%), and most noteworthy endurance was seen without milkfish (41.3±5.6%) with moderate development (42.65±1.25g). Best development of parsia was seen without milkfish (54.16±6.34 g), while most elevated endurance was found without dim mullet (61.9±4.1%). Dim mullet developed best without milkfish (487.17±20.42 g) and endure best in nearness all things considered (60.5±4.4%). Milkfish developed best without dark mullet (382.91±18.39 g), and most noteworthy endurance (71.1±6.8%) was found in nearness everything being equal. Essentially (p<0.05) higher absolute gathered biomass (1931.64 kg ha⁻¹) was delivered in nearness of all species followed by medicines with nonattendance of parsia (1794.11 kg ha⁻¹),

MAS INTERNATIONAL EUROPEAN CONFERENCE ON MATHEMATICS-ENGINEERING-NATURAL & MEDICAL SCIENCES-XII

nonappearance of milkfish (1739.42 kg ha⁻¹), and nonattendance of dark mullet (922.51 kg ha⁻¹). Most noteworthy all out salary (INR 520650) was accomplished in species blend without milkfish followed by nearness all things considered (INR 410303), without parsia (INR 360362), and without dim mullet (INR 203099) with particular advantage cost proportion of 2.798, 2.048, 1.824 and 1.242. Development, creation and financial boundaries of the examination showed specialized and monetary feasibility of mullets-tiger shrimp polyculture. Mullet-milkfish-tiger shrimp polyculture was likewise feasible however with lower gainfulness.

EFFECTS OF SHRIMP FARMING ON FARMERS : HEALTH ISSUES:

Due to prolonged time spent on sea water it may causes lots of health related issues in both male and female ,it has been reported that several types of diseases like skin problems ,waterborne diseases reproductive tract diseases especially in females,and also causes contagious diseases.a study on the health effects of shrimps farmers has revealed this report.among the respondent of sagar island 86% of the farm are effected by the mid crop phase and 8% of farm were affected by mid and end crop phase.Among the residents of Basanti block 73% of farm are affected in the mid crop phase and 15%of farmers of farm are encountered with diseases in their mid phase,about 4% of farm farmers are effected with this diseases.overall revealing the data observed together it is observed that maximum level of disease infection is found during the mid phase.

Types of physical damage of shrimps collectors :the effects and damage occurred during shrimps collection of the farmer are observed by doing a survey on a no of farmer involved in this work and a group of farmer which is not involved in this job.two group of female farmers are taken for this survey ,from sajenkhali and sandeshkhali sunderban, one group of females are involved in the household domestic work and other group were involved in the prawn collection for prolonged time in sea water.the females household work is given a lot of physical work and activities that's why they are suffering from lower back pain knees pain and discomfort in body.the female prawn collectors farmers are forced to do a very hard job manual and physically demanding job for collection of prawns .they collect seeds for earning of their family.during this process they suffered a lot and they have to spend a lot of time in sea water.during this work they do several physical work like dragging of nets forward and backward and then spreading of nets and then collection of seeds .the female farmer undergoes a large physical discomfort ,stress and prone to many type of diseases like waterborne skin problems and reproductive diseases.so it is observed in both the groups that the female farmers involved in prawn collection are suffering a lot of physical discomfort ,mental stress, intense pain in body .they also suffered from diseases .thus prawn collectors are seems to be prone to many physical problems and stress which affect their health and behavior.

SOCIAL PROBLEMS

As the meendharas the prawn collectors ,continuously collect prawn seeds, throughout year the prawn seeds are first collected from collectors and are then sowed in a paddy field or in the bheries (the area enclosed with the brackish water a shallow lying area about 6-8 ft deep.)these are inundated with brackish water and after harvesting of the fields the aquaculture activities are carried on.after the period of six months fully grown prawns are taken out ,the

MAS INTERNATIONAL EUROPEAN CONFERENCE ON MATHEMATICS-ENGINEERING-NATURAL & MEDICAL SCIENCES-XII

field are again cultivated with paddy in the rainy season. the juvenile of tiger prawns becomes adults in 4-6 months.the best season of sowing the seeds of the tiger prawn is winter season ,especially in the months of December January.it may continue to February,and demand of the tiger prawns are maximum in December and minimum in the months of September months. the price of prawns at kamdebnagar village is as given per season as data collection:

Summer season:Rs 200/1000

Rainy season: Rs 250/1000

Autumn season:Rs 16-40/1000

Winter season :Rs 400/1000

As per the data above we can observe that the aquaculturists collects seeds from the meendharas (seed collectors) in the village ,the rates varies in a large ratio as per data demand of prawn are more in winter season.at summer and autumn season it is very low, it takes almost 4-5 days to collect 1000 prawn then they sell fifth day.it is seen that the annual income by selling prawns is not adequate for fulfilling every need of the family ,it is not quite satisfactory for the family. Economically the living standard of the meen dharas are very poor and is living hard life. the womans and childrens are both involved in this work and socially and economically they are very backward.the children are not getting education and the security of woman is also not there. the practising of shrimp culture perpetuates the division of labor and social hierarchy,and also relates with many aspects like poverty ,iliteracy, child labour ,exploitation.the men involve risk their lives in earning but it does not seems to work .it campels to work to womens and childrens too,they still unpaid and tremendously poverty affected . The Juvenile Tiger prawn takes its full size within 4 to 6 months. Best season for sowing tiger prawn seeds is winter middle of December to January. women and childrens take part in fry collection and fry selling either as a family catcher or independently. social ,cultural ,economical and religious factors can estimate the level of womens involvement and recognition of work. women of the poorest family generally involved in this work ,the employment is divided in two phases in one the men and male children caught fry and brought back to shore or to home,where the womens and female childrens sorts the fry .

OCCUPATIONAL HAZARDS

The shrimps farmers are often become victims of attack from crocodiles and sharks. this is a very serious problem and also a great threat for their life .if they become victim their family condition become very worse. Constant touch with saline water also creates health hazard. Several cases of skin problem is noted due to continuous immersion in brackish water. There are several hindrances for the catching of prawn seeds. They are, attack from tigers on the land and crocodiles in the water. Health hazards in the form of skin disease etc. are present. Bagdis of Sunderbans who came as labourer to clear the forest and settled in the land under Jamindars became the Meendharas in course of time. most of the Meendharas cannot afford a boat to collect the prawns,as they are very poor but as this profession make them money they are bounded to do so after facing so many hazards.

An alternative, artificial breeding grounds are prepared. Permanent hatcheries are made. Mother prawns are raised there and artificially spawns and seeds are bred. The authorities (MPEDA) have made survey regarding the dangers to the Meendharas. Artificially spawns and

seeds are bred. Such breeding grounds are present, The breeders may raise two yields of adult tiger prawns in this way.

CONCLUSION

Culturing fish in rice fields can help control pests and weeds, promote nutrient availability to rice plants and enhance nutritional benefits and financial returns from what are widely regarded as low input ,environmentally friendly and more sustainable farming systems. Integrating fish culture in irrigated and rainfed rice fields also makes more effective use of appropriated water resources. Culturing fish in rice fields is considered a traditional practice in China, Japan more recently rice-fish culture has been introduced by development agencies. and. The integrated culture of rice and fish requires more refined farm management approaches; with farms having to coordinate rice production and fish culture practices and often poor quality and unreliable fish seed production has constrained widespread and long-lasting adoption. Rice-fish culture was adopted widely in and it has been shown to make an important contribution to incomes and food security in poor and marginal farming communities

There are several hindrances for the catching of prawn seeds. They are, attack from tigers on the land and crocodiles in the water, Health hazards in the form of skin disease etc are present.. the adjustments in the occupations structure and prosperity of rustic family units following the presentation of shrimp aquaculture. Higher pay family units regularly had more pay from shrimp cultivating and related salary openings than the lower and center pay families. Business shrimp aquaculture had obviously added to an enlarging hole among the families. The consequences of this investigation indicated that fast changes in neighborhood land-use frameworks, possession, what's more, the board practices of shrimp cultivates in light of shrimp aquaculture had debilitated the pay gaining chances of the lower pay families and it showed up likewise to have prompted expanded financial separation through expanding landlessness and therefore expanded salary imbalance and defenselessness. The results introduced in this part indicated shrimp aquaculture seemed to have been a significant business improvement for higher salary family units, especially for the land-possessing family units. The circulation of the salary it created was one-sided for the gatherings who controlled the land and assets important to take an interest in the movement. There were restricted choices for lower pay families to take an interest and advantage because of their restricted land possession. The enormous decrease of horticultural terrains instigated by spontaneous shrimp cultivating had caused the decimation of trees and manors, and diminished horticultural harvests and animals creation in the examination region. The outcomes indicated that the adjustments in land use, loss of mangrove assets, diminishing number of domesticated animals and consumption of crop-based farming and work openings were applying incredible weight on neighborhood vocations and the maintainability of the Sundarbans locale in general. Neighborhood appearances of powerlessness were connected to factors including: land residency designs that constrained access to land; absence of job open doors for procuring an pay in the zone because of the loss of horticulture and domesticated animals and procedures of natural debasement (raising saltiness, barrenness); and rising costs of essential products (as essential staples, for example, rice and vegetables were being imported). Conventional sanitation nets had separated, leaving these networks subordinate on purchasing rice imported from different pieces of Bangladesh, risking food security, also, subverting sustenance. The ecological

MAS INTERNATIONAL EUROPEAN CONFERENCE ON MATHEMATICS-ENGINEERING-NATURAL & MEDICAL SCIENCES-XII

dangers related with monetary advancement following shrimp aquaculture in this way had developed social disparities. In the following part, I examine this current's examination of the adapting capacity of shrimp cultivating family units even with an environmental change-initiated normal danger – the violent wind.

REFERENCE

Ahmed, N., Troell, M., Allison, E.H., Muir, J.F., 2010b. Prawn postlarvae fishing in coastal Bangladesh: Challenges for sustainable livelihoods. *Marine Policy* 34, 218-227

Azad, A.K., Jensen, K.R., Lin, C.K., 2009. Coastal aquaculture development in Bangladesh: unsustainable and sustainable experiences. *Environmental Management* 44, 800-809.

Baird, D.J., 1994. Pest control in tropical aquaculture: an ecological hazard assessment of natural and synthetic control agents. *Mitt. Internat. Verein. Limnol.* 24, 285-292.

Beveridge, M.C.M., Phillips, M.J., 1993. Environmental impact of tropical inland aquaculture. In: Pullin, R.S.V., Rosenthal, H., Maclean, J.L. (Eds.), *Environment and Aquaculture in Developing Countries*. ICLARM, Conf., Proc., 31., pp. 213-236.

Bosma, R.H., Jumnongsong, S., Dulyapark, V., Sidik, A.S., Dao, P.T.A., Tuan, L.X., van Zwieten, P.A.M., Bunting, S.W., 2010. Mangrove ecosystems and the sustainability of related livelihoods. Poster presentation, Global Aquaculture Conference 2010, 19 Sept 2010, Phuket, Thailand.

Bunting, S.W., 2010. Knowledge and attitudes concerning sustainable aquaculture, fishing and livelihoods in the Indian Sundarbans. Darwin Initiative Scoping Award Report. interdisciplinary Centre for Environment and Society, University of Essex, UK.

Bunting, S.W., (forthcoming) Principals of sustainable aquaculture: promoting ecological, economic and social resilience. Earthscan.

Bunting, S.W., Pretty, J., Edwards, P., 2010. Wastewater-fed aquaculture in the East Kolkata Wetlands

**SON 10 YILDA TÜRKİYE SÜRÜNGENLERİNDE GERÇEKLEŞTİRİLEN
TAKSONOMİK DEĞİŞİKLİKLER VE YENİ TAKSONLAR**

Dr. Öğr. Üyesi Emin BOZKURT
Çankırı Karatekin Üniversitesi

Özet

Anadolu buzul çağlarında sığınak görevi görür iken buzullar arası dönemlerde ise Kafkasya ve Avrupa arasında türlerin göçü için köprü rolü oynamaktadır. Ayrıca, Türkiye'nin sahip olduğu coğrafi konum ve üç hotspot bölge (Kafkas, Irano-Anadolu ve Akdeniz) içinde yer alması nedeniyle Türkiye önemli bir biyoçeşitlilik potansiyeline sahiptir. Bu durum, ülkemizin tür zenginliğine de 10.000 bitki ve 80.000 hayvan türü olarak yansımaktadır. Özellikle 2010'dan sonra teknolojik gelişmeler, genetik ve istatistiksel güncel yaklaşımlar sonucunda türlerin taksonomik yapıları daha iyi bir şekilde anlaşılmış ve yeni taksonlar belirlenmiştir. Bu nedenle bazı gruplarda cins, tür ve alttür değişiklikleri gerçekleştirilmiştir. Bugün itibari ile ülkemizde 139 sürüngen türü bulunurken, Avrupa'da 151 sürüngen türü bulunmaktadır. Ayrıca bu 139 türden 21 tanesi ülkemize endemik olan türlerdir. Sürüngenlerde; 13 türde cins değişikliği, 10 alt türün tür seviyesine çıkarılması, 6 yeni tür bulunması, 8 yeni alttürün tanımlanması ve 2 tür ile 1 alttüre ait ilk kaydın verilmesi ile taksonomik değişiklikler gerçekleştirilmiştir. Bu değişiklikler içinde en göze çarpanı ülkemize endemik olan *Rhynchocalamus barani*'nin ülkemize endemik olan ve yeni tanımlanan *Muhtarophis* cinsine dahil edilmesidir. Yine son zamanlarda, Asya'da büyük bir dağılışa sahip olan ve ülkemizde sadece Van civarında yaşayan *Ablepharus bivittatus* türü cins değişikliği ile *Asymblepharus* cinsine dahil edilmiştir. Bu dönemde yeni tanımlanan türler ise *Assacus barani*, *Pelias olguni*, *Eirenis occidentalis*, *Pelias sakoi*, *Ophiomorus kardesi* ve *Elaphe urartica*'dır.

Anahtar Kelime: Taksonomi, Sürüngen, Türkiye.

**TAXONOMIC CHANGES AND NEW TAXA IN THE REPTILES OF TURKEY IN THE
LAST 10 YEARS**

Abstract

Anatolia was a refugium during the ice ages and it is played a bridge role for migration of species during the interglacial periods to Europe and the Caucasus. Moreover, Turkey has significant potential biodiversity due to Turkey's geographical position and locate on the three hotspot region (Caucasus, Irano-Anatolian and Mediterranean). This situation is reflected to the species richness of Turkey as 10000 plants and 80000 animal species. As a result of technological developments, genetic and statistical current approaches after 2010, the taxonomic structure of the species were better understood and new taxa were determined. For this reasons, taxonomic changes is occurred in genus, species and subspecies level in some groups. As of today, there are 139 reptile species in Turkey, while there are 151 reptile species in Europe. In addition, 21 of these 139 species are endemic to Turkey. Taxonomic changes were occurred in reptiles in Turkey, as in changing the genus in 13 species, increasing the 10 subspecies to the species level, describing the 8 new subspecies and giving the first record of 2 species and 1 subspecies. The most prominent changes is occurred in the endemic *Rhynchocalamus barani*, this species is transferred to *Muhtarophis* genus which is endemic and currently described. Also, genus of *Ablepharus bivittatus*, which has a great distribution in

**MAS INTERNATIONAL EUROPEAN CONFERENCE ON
MATHEMATICS-ENGINEERING-NATURAL & MEDICAL SCIENCES-XII**

Asia and lives only in Van in Turkey, was changed as *Asymblepharus*. Newly identified species in this period are *Assacus barani*, *Pelias olguni*, *Eirenis occidentalis*, *Pelias sakoi*, *Ophiomorus kardesi* and *Elaphe urartica*.

Keywords: Taxonomy, Reptile, Turkey.

YARASA KÖKENLİ VİRAL ZOONOZ ENFEKSİYONLAR ile ZOONOZLARLARLA
MÜCADELEDE DOĞAL YAŞAM ALANLARININ KORUNMASININ ÖNEMİ

Dr. Öğr. Üyesi Bilge Kaan TEKELİOĞLU

Çukurova Üniversitesi

Orcid Id: <https://orcid.org/0000-0001-6727-3175>

Özet

Hayvanlardan insanlara (zoonoz) ve insanlardan hayvanlara (antropozoonoz) bulaşabilen ve halk sağlığı tehdidi oluşturan enfeksiyöz hastalıkların önemi, pandemi potansiyeli ve neden oldukları enfeksiyonlar artış göstermektedir. Virüsler, bakteriler, mantarlar ve parazitler olarak 1415 enfeksiyon etkeni insanlarda hastalıklara yol açmaktadır, 864'ü (% 61) zoonozdur ve SARS-CoV-2 (COVID-19) gibi yeni hastalıkların eklenmesi beklenmektedir. Coronavirüs SARS, MERS ve COVID-19 enfeksiyonları, Kuduz, AIDS (HIV), Ebola, Salmonella, Kuş Gribi ve Domuz gribi başlıca, sık rastlanılan ve iyi bilinen zoonoz enfeksiyonlardır. Yarasalar çok çeşitli virüslere ev sahipliği yaparlar. Kuduz, Marburg virüs, Nipah virüs, Hendra virüs, 2002-2003 SARS-CoV-1, 2012 MERS-CoV ve 2019 COVID-19 pandemileri yarasa kökenli doğal yaşam kaynaklı zoonoz ve antropozoonoz enfeksiyonların başlıcalarındandır. Zoonoz pandemiler doğal yaşam kaynaklı enfeksiyonların önlenmesinde bu alanların korunmasının önemini göstermiştir. Sınırlanan doğal yaşam alanları bazı türleri ortadan kaldırırken bazılarının insanla daha fazla yakınlaşmalarına yol açmaktadır. Bu durum bazen istenmeyen kazalar, bazen de kontrolsüz hayvan ticareti ile zoonoz enfeksiyonlara yol açabilmektedir. COVID-19 benzer şekilde bir mekanizmanın işlemesiyle ortaya çıkmıştır. Dünya genelinde acilen iki önlem alınmalıdır. Doğal yaşam alanlarının korunmasıyla başta yarasalar olmak üzere doğal yaşamın insanla istenmeyen ve kontrolsüz teması önlenmelidir. Nesli tükenmekte olan yaban hayatının insan tüketimi olarak canlı hayvan pazarlarında sağlıksız koşullarda satışlarının ve bulundurmalarının kısıtlanması veya tamamen yasaklanmalıdır. Hayvan kökenli CoV'lerin yirmi yıl gibi kısa bir sürede üç farklı pandemi ile zoonoz enfeksiyonlar yaratarak insan sağlığını ciddi olarak tehdit ettikleri düşünüldüğünde, pandemiye yol açan başta CoV'ler olmak üzere diğer patojenlerin ortaya çıkışını önlemek için doğaya ve çevremize daha saygılı bir döneme geçilmesi zorunludur. Doğal yaşam alanlarının etrafında yaşayan bölge insanları doğal yaşamın ve rezerv alanların korunması konusunda bilinçlendirilmelidir. Zoonoz ve antropozoonoz enfeksiyonlar olarak halk sağlığı açısından tehdit oluşturan enfeksiyöz hastalıkların kontrolü ile bu hastalıkların yayılımı ve evriminin anlaşılmasını sağlayan bir kavramdır. 'Tek Tıp' yaklaşımında ele alınmalıdır ve bu alanda çalışacak tüm birimleri ve araştırmacıları kapsayan multidisipliner işbirliği gerektirmektedir.

Anahtar Kelimeler: Yarasa, enfeksiyon, virüs, coronavirüs, kuduz, zoonoz, antropozoonoz, doğal yaşam.

BAT VIROME ZOONOSES AND THE IMPORTANCE OF THE CONSERVATION OF
WILDLIFE RESERVES IN THE CONTROL OF ZOONOTIC INFECTIONS

Abstract

The importance of infectious diseases that can be transmitted from animals to humans (zoonoses) and humans to animals (anthropozoonosis) is increasing with the potential of the pandemics. As viruses, bacteria, fungi and parasites, 1415 infectious agents cause diseases in humans, 864 (61%) are zoonoses and new diseases such as SARS-CoV-2 (COVID-19) are

expected to be added. Coronavirus SARS, MERS and COVID-19 infections, Rabies, AIDS (HIV), Ebola, Salmonella, Avian Influenza and Swine flu are the most common and well-known zoonotic infections. Bats host a wide variety of viruses. Rabies, Marburg virus, Nipah virus, Hendra virus, 2002-2003 SARS-CoV-1, 2012 MERS-CoV and 2019 COVID-19 pandemics are among the primary bat virome wildlife-originated zoonoses and anthroozoonous infections. Zoonotic pandemics have demonstrated the importance of protecting the wildlife reserves in the prevention of infections. The restricted natural habitats eliminate some species, while causing them to get closer to humans. This situation can sometimes lead to unwanted accidents and sometimes to zoonotic infections caused by uncontrolled animal trade. COVID-19 was arisen from a similar mechanism. Two measures must be taken urgently worldwide. By protecting natural habitats, unwanted and uncontrolled contact of natural life, especially bats, should be prevented. As human consumption of endangered wildlife, the sale and possession of unhealthy conditions in livestock markets should be restricted or completely prohibited. Considering that animal-derived CoVs seriously threaten human health by creating zoonotic infections with three different pandemics in a short period of twenty years, it is essential to move to a more respectful period to prevent the emergence of other pathogens, especially CoVs, which cause pandemics. Local people living around natural habitats should be informed well about the protection of natural habitats and reserve areas. It is a concept that provides an understanding of the spread and evolution of these diseases by controlling infectious diseases that pose a threat to public health as zoonoses and anthroozoonous infections. It should be handled in the 'One Health' approach and requires a multidisciplinary cooperation covering all units and researchers to work in this field.

Keywords: Bat, infection, virus, coronavirus, rabies, zoonoses, anthroozoonosis, wild life.

1.GİRİŞ

Zoonozlar veya zoonotik enfeksiyonlar terimi genellikle omurgalı bir hayvandan bir insana bulaşan ve enfeksiyon oluşturan ve bir virüs, bakteri, parazit veya prion gibi bulaşıcı ajan patojenin neden olduğu hastalıkları tanımlayan terimdir [1, 2, 3]. İnsanlar diğer hayvanları enfekte ettiğinde buna ters zoonoz veya antropoz denir [4]. Zoonoz ajan ile enfekte olan ilk insan enfeksiyöz ajanı en az bir başka insana iletir ve enfeksiyon bulaşan insandan da diğer insanlara bulaşır. Virüsler, bakteriler, mantarlar ve parazitler olarak 1415 enfeksiyon etkeni insanlarda hastalıklara yol açmaktadır, 864'ü (% 61) zoonozdur ve SARS-CoV-2 (COVID-19) gibi yeni hastalıkların eklenmesi beklenmektedir [5] Son yıllarda ortaya çıkan en bilenen zoonoz enfeksiyona örnek olarak Ebola virüsü hastalığı gösterilebilir. Ayrıca insan immün yetmezlik sendromu hastalığı olan AIDS (HIV), 20. yüzyılın başlarında insanlara bulaşan zoonotik bir hastalık olarak ortaya çıkmışken günümüzde uğradığı mutasyonlar sonrası sadece insanlara özgü ayrı bir hastalık haline dönüşmüştür. İnsanları enfekte eden grip virüsü (influenza) suşlarının çoğu insanlara özgü hastalıklardır, ancak birçok kuş gribi ve domuz gribi suşu zoonoz olarak tanımlanmıştır; bu virüsler zaman zaman gribin insan suşlarıyla yeniden birleşir ve 1918 İspanyol gribi veya 2009 domuz gribi gibi salgınlara neden olabilirler [5, 6]. Son yıllarda halk sağlığı tehdidi oluşturan enfeksiyöz hastalıkların önemi, pandemi potansiyeli ve neden oldukları enfeksiyonlar artış göstermektedir. Coronavirüs SARS, MERS ve COVID-19 enfeksiyonları, Kuduz, AIDS (HIV), Ebola, Salmonella, Kuş Gribi ve Domuz gribi başlıca, sık rastlanılan ve iyi bilinen zoonoz enfeksiyonlardır. Yarasalar çok çeşitli virüslere ev sahipliği

yaparlar. Kuduz, Marburg virüs, Nipah virüs, Hendra virüs, 2002-2003 SARS-CoV-1, 2012 MERS-CoV ve 2019 COVID-19 pandemileri yarasa kökenli doğal yaşam kaynaklı zoonoz ve antropozoonoz enfeksiyonların başlıcalarındandır [7]. İnsan hastalıklarının çoğu hayvanlardan kaynaklanır; bununla birlikte, sadece kuduz gibi insandan insana bulaşmayı rutin olarak içeren hastalıklar doğrudan zoonoz olarak kabul edilir.

Zoonozların farklı iletim şekilleri vardır. Doğrudan zoonozda hastalık, diğer hayvanlardan hava (influenza) gibi ortamlar veya ısırıklar ve tükürük (kuduz) yoluyla doğrudan insanlara bulaşır. Küresel olarak, köpekler kuduz hastalığını yayan en yaygın hayvanlardır. Köpeklerin yaygın olarak hastalığa sahip olduğu ülkelerde, kuduz vakalarının% 99'undan fazlası köpek ısırıklarının doğrudan sonucu olarak ortaya çıkarlar [8]. Aksine, bulaşma ayrıca hastalık patojeni hastalanmadan taşıyan bir ara tür (vektör olarak adlandırılır) yoluyla da meydana gelebilir. Ülkemizde kuduz hastalığı vakalarına gerek insan gerekse hayvanlarda her yıl rastlanılmaktadır [9, 10, 11].

Zoonoz ve antropozoonoz enfeksiyonlar olarak halk sağlığı açısından tehdit oluşturan enfeksiyöz hastalıkların kontrolü ile bu hastalıkların yayılımı ve evriminin anlaşılmasını sağlayan bir kavramdır. 'Tek Tıp' yaklaşımında ele alınmalıdır ve bu alanda çalışacak tüm birimleri ve araştırmacıları kapsayan multidisipliner işbirliği gerekmektedir. Zoonoz ve antropozoonoz enfeksiyonların ortaya çıkmasında ve yayılmalarında en önemli nedenler arasında, vahşi yaşam rezervleri, yeşil alan ve ormanların yok edilmesi, biyoçeşitlilik üzerine olan insan baskısı ve çevresel bozulma, gıda ve tüketilebilir su kaynaklarının kirletilmesi, tahrip veya yok edilmeleri, aşırı sulama ve erozyon, doğal yaşam ve orman alanlarına yayılan çiftçilik ve hayvancılık faaliyetleri, vahşi hayvan saldırıları, böcek ve kemirgen vektörler, insanlar ile birlikte yaşayan sokak ve evcil hayvanlar, kaçak avcılık ve yaban yaşamının insan gıdası olarak kontrolsüz tüketilmesi ile ikincil bulaşmalar yer almaktadır. Zoonoz ve antropozoonoz hastalıkların eradikasyonları pratik olarak mümkün değildir ancak gerekli önlemler ile kontrol altına alınmaları ve salgınların önlenmeleri mümkündür. Bu çalışmanın amacı zoonoz, antropozoonoz ve yarasa kökenli viral enfeksiyonlar hakkında genel bir bilgilendirme yapmak, enfeksiyonlar ile etkin mücadele ve korunma yollarını göz önüne sermek ve doğal yaşam alanlarının korunmasının önemini vurgulamaktır.

1.1. YARASA KÖKENLİ (BAT VIROME) VİRAL ZOONUZ ENFEKSİYONLAR

Bat virome terimi yarasalarla ilişkili virüs grubunu belirtmek için kullanılmaktadır. Yarasalar tümü çeşitli virüslere ev sahipliği yapmaktadırlar: 2020 itibariyle tanımlanan yarasa ile ilişkili, Coronaviridae familyasında yer alan ve tip IV olarak tanımlanan virüsler en büyük paya sahiptirler. Yarasalar, zoonotik olan veya insanları enfekte edebilen çeşitli virüsleri barındırırlar ve her geçen gün yeni olarak ortaya çıkan yarasa kaynaklı virüsler önemli enfeksiyonlara ve salgınlara yol açabilmektedir.[12, 13, 14] Araştırmalar, SARS-CoV-2'nin yarasalardan kaynaklandığını açıkça göstermesine rağmen, [7] insanlara nasıl bulaştığı bilinmemektedir veya bir ara konak, muhtemelen Sunda pangolini'nin dahil olup olmadığı tam olarak anlaşılammıştır. Her ne kadar bu doğrulanmamış olsa da, yarasaların Ebola virüsünün ekolojisinde rol oynayabileceği tahmin edilmektedir. Kuduzun yarasalardan insanlara bulaşması genellikle ısırma yoluyla gerçekleşirken, diğer zoonotik yarasa virüslerinin çoğu idrar, guano (bir tür yarasa gübresi) veya tükürük gibi enfekte yarasa sıvılarıyla doğrudan temas yoluyla veya enfekte olmuş, yarasız olmayan bir ara konak ile temas yoluyla bulaşmaktadır. Yarasa etinin insan gıdası olarak tüketilmesinin viral bulaşmaya yol açabileceğine dair kesin

bir kanıt yoktur. Yarasalarla ilişkili virüslerin bolluğuna rağmen, yarasalara nadiren viral enfeksiyonlardan dolayı enfekte olurlar ve kuduz hastalığı yarasaları öldürdüğü bilinen tek viral hastalıktır. Yarasa virolojisi, özellikle de yarasa bağışıklık yanıtı hakkında pek çok araştırma yapılmıştır. Yarasaların bağışıklık sistemleri, vücudun enflamatuar tepkisini aktive eden çeşitli enflamozomların yanı sıra patojenlere karşı konak tepkisinin kontrol edilmesine yardımcı olan interferon genleri (STING) tepkisini harekete geçiren bir uyarıcı mekanizma bulunmaması nedeniyle diğer memelilerden farklıdır. Ön kanıtlar yarasaların enfeksiyona diğer memelilere göre daha toleranslı olduklarını göstermektedir. Birçok araştırma yarasaları zoonotik hastalık kaynağı olarak göstermesine rağmen, araştırmalar yarasaların diğer gruptan daha fazla zoonotik virüs barındırıp barındırmadıkları konusunda ortak sonuca ulaşamamıştır. Olvial ve ark. yarasaların primatlardan veya kemirgenlerden daha fazla zoonotik virüs barındırmadıklarını, ancak üç grubun diğer memeli emirlerinden daha fazlasını barındırdığını bildirmiştir [15]. Molentze ve ark., ise konakçı çeşitliliğine göre viral çeşitlilik ölçüldüğünde, yarasaların diğer herhangi bir kuş veya memeli grubundan daha fazla zoonotik virüsü olmadığını bildirmişlerdir [16]. Yarasa kökenli zoonotik virüsler arasında en önemlileri kuduz virüsü, SARS-CoV, Marburg virüsü, Nipah virüsü ve Hendra virüsüdür [7,8,12,13,14,15,16].

1.2. KUDUZ (RABIES)

Kuduz, insanlarda ve diğer memelilerde tedavisi olmayan ve ölümcül seyreden önemli viral bir hastalıktır. Isırık bölgesinde ateş ve karıncalanma erken belirtiler olarak ortaya çıkabilir. Bu semptomları şiddetli hareketler, kontrolsüz heyecan, su korkusu, uzuvların hareket ettirilmemesi, algıda bulanıklık ve bilinç kaybı semptomlardan biri veya daha fazlası takip edebilir. Hastalığa yakalanma ile semptomların başlaması arasındaki süre genellikle bir ila üç aydır, ancak bir haftadan bir yıldan fazlaya kadar değişebilmektedir. Bu süre ısırık yeri ile virüsün merkezi sinir sistemine ulaşmak için periferik sinirler boyunca kat etmesi gereken mesafeye bağlıdır. [8, 9, 10 17,18]

Kuduz hastalığı virüsünü de içeren lyssavirüsler, Rhabdoviridae familyasında yer alırlar. RNA'lı, zarflı ve mermi şeklinde virüslerdir. İnsanlar da dahil olmak üzere memeliler doğal konaklar olabilirler [19]. Enfekte bir hayvan bir insanı veya başka bir hayvanı ısırığında veya yaraladığında enfeksiyon bulaşır. Enfekte bir hayvandan saçılan tükürüğün gözler, ağız veya burun ile temas etmesi halinde de kuduz bulaşabilir. Küresel olarak, köpekler en yaygın kuduz kaynağı hayvanlar olarak bilirmektedir. Köpeklerin yaygın olarak hastalığa sahip olduğu ülkelerde, kuduz vakalarının %99'undan fazlası köpek ısırıklarının doğrudan sonucudur. Amerika'da yarasa ısırıkları, insanlarda en sık görülen kuduz enfeksiyonu kaynağıdır ve vakaların % 5'inden azı köpeklerden gelmektedir. Kemirgenler çok nadiren kuduz ile enfekte olurlar. Hastalık ancak semptomların başlamasından sonra teşhis edilebilir [8, 9, 10 17,18, 20].

Hayvan kontrol ve aşılama programları dünyanın birçok bölgesinde köpeklerin kuduz riskini azaltmıştır. [1] Hastalığa maruz kalmadan önce yapılan koruyucu aşılama yarasalarla çalışan ya da kuduzun yaygın olduğu bölgelerde uzun süreler geçirenler de dahil olmak üzere yüksek risk altındaki kişiler için önerilmektedir. Kuduzla maruz kalan insanlarda kuduz aşısı ve bazen kuduz hiper immünoglobulin serumu uygulaması, kuduz semptomlarının başlangıcından önce tedavi gören hastalığın önlenmesinde etkilidir. Isırıkları ve çizikleri sabun ve su, povidon-iyot veya deterjanla 15 dakika yıkamak, viral partikül sayısını azaltabilir ve bulaşmayı önlemede biraz etkili olabilir [8, 9, 10 17,18, 20]. 2016 itibarıyla, semptomları gösterdikten sonra sadece on dört kişi kuduz enfeksiyonundan sağ kurtulmuştur [17, 22, 23, 24].

Kuduz, 2015 yılında dünya çapında yaklaşık 17.400 insanın ölümüne neden olmuştur [9, 25]. Kuduzdan kaynaklanan insan ölümlerinin %95'inden fazlası Afrika ve Asya'da meydana gelmektedir. Ölümlerin yaklaşık% 40'ı 15 yaşın altındaki çocuklarda görülür [8] Kuduz 150'den fazla ülkede ve Antarktika hariç tüm kıtalarda bulunur. Dünyada kuduzun meydana geldiği bölgelerde 3 milyardan fazla insan yaşamaktadır. Avustralya ve Japonya'nın yanı sıra Batı Avrupa'da ve birçok Pasifik adasında birçok bölge ve ülkede köpekler arasında kuduz olmadığı bildirilmiştir [8,26]. İhmal edilmiş tropikal bir hastalık olarak sınıflandırılmıştır [27].

Kuduz hastalığı ülkemizde de görülmektedir [9, 10]. Sokak hayvanı popülasyonunun kontrolü ve rezervuar canlılar ve özellikle yarasalar ile temasın azaltılması önemli koruyucu önlemdir. Enfekte hayvanla temas ve yaralanmalar sonrası hastalık şüphesi sonrası aşılama, PEP, hastalığı önlemede oldukça başarılıdır. Aşılammış insanlarda, kuduz nörolojik semptomlar geliştikten sonra neredeyse her zaman ölümcüldür [17, 22, 23, 24, 25, 26, 27]

1.3. MARBURG VİRÜSÜ ENFEKSİYONU (MARBURG HUMMASI- MARV)

Ülkemizde Marburg Humması olarak bilinmektedir. Marburg virüsü (MARV), Marburgvirüs cinsinin bir üyesidir ve Filoviridae virüs ailesinde yer alır. Marburgvirionlar enfeksiyöz olmayan, lineer non-segmented, negatif polariteye sahip tek sarmallı RNA genomları içerir, hemorajik ateş virüsüdür ve Marburg marburgvirüs,. Marburg virüsü insanlarda ve insan olmayan primatlarda bir tür viral hemorajik ateş ile seyreden Marburg virüsü hastalığına neden olur. Marburg Kanamalı Ateşi hem insan hem de primatları (goril, orangutan, şempanze, gibbon, maymunlar, lemurlar) etkileyen, nadir ama ciddi kanamalı ateşlerdendir. Filovirüs ailesinden bir RNA virüsü olan, genetik olarak benzeri bulunmayan, hayvan kaynaklı Marburg virüsü tarafından meydana getirilir. Filovirüs ailesinin bilinen diğer üyeleri sadece Ebola virüsünün 5 türüdür. Marburg virüsü ilk kez 1967 yılında, eski Yugoslavya'nın Belgrad (şimdi Sırbistan) ve Almanya'nın Frankfurt ve Marburg şehirlerindeki laboratuvarlarda aynı anda kanamalı ateş salgını ortaya çıktığında tanımlanmıştır. Başlangıçta laboratuvar çalışanları, birkaç tıbbi personel ve onların bakımıyla ilgilenen aile üyeleri olmak üzere 31 kişi hastalanmış ve 7 ölüm rapor edilmiştir. İlk enfekte olan insanlar araştırma yaparken ithal Afrika yeşil maymunlarına veya onların dokularına temas ettikleri saptanmıştır. Marburg virüsünün rezervuarı Rousettus aegytiacus denilen Afrika meyve yarasasıdır. Yarasalarda hastalığın bariz belirtileri görülmez. İnsan ve primatlar virüsle enfekte olabilirler ve yüksek ölüm oranına sahip ciddi hastalık gelişebilir. Virüse ev sahipliği yapan başka türler olup olmadığını belirlemek için daha fazla çalışmaya ihtiyaç vardır. Virüsün son derece tehlikeli olduğu düşünülmektedir. Dünya Sağlık Örgütü (WHO), Amerika Birleşik Devletleri'nde, NIH/ Ulusal Alerji ve Enfeksiyon Hastalıkları Enstitüsü MARV'ı patojen biyogüvenlik seviyesi Risk Grubu 4 (eşdeğeri sınırlama gerektirir) olarak değerlendirmektedir. CDC ise aynı zamanda kategori A Biyoterörizm Temsilcisi olarak listelemektedir [28, 29, 30, 31, 32, 33].

Virüsün, bir tür meyve yarasası ile temas sonrası, korunmasız seks, ya da hasarlı ciltten vücut sıvılarının temas etmesi yoluyla insanlar arasında bulaşabildiği bildirilmiştir. Hastalık hemorajilere (kanama), ateşe ve Ebola'ya benzer diğer semptomlara neden olabilmektedir. Bununla birlikte, Marburg virüsü Ebola ile aynı değildir, ancak benzerdir. Enfeksiyondan sonra virüsün gerçek tedavisi mümkün değildir, ancak erken, dehidrasyon gibi semptomların profesyonel tedavisi hayatta kalma şansını önemli ölçüde artırdığı bilinmektedir [33]. Aşı

geliştirme çalışmaları devam etmektedir. 2009 yılında Uganda Kampala'da Ebola ve Marburg aşısının klinik çalışmalarının yaygınlaştırılmasının başladığı bildirilmiştir [34, 35]

Yolcular için seyahat sağlığı riski içermektedir, Uganda ve Orta Afrika'nın diğer bölümlerini kapsayan endemik bölgeleri ziyaret eden yolcular için enfeksiyona maruziyet riski yüksektir. Marburg virüsüyle enfekte primatlarla, Afrika meyve yarasalarıyla ve hasta insanlarla yakın teması olan insanlar risk altındadır. Korunma; Marburg virüsü enfeksiyonuna karşı korunma önlemleri çok iyi tanımlanmamıştır. Hastalıktan tek korunma yolu Orta Afrika'da hasta primatlar ve meyve yarasalarından uzak durmaktır. İkinci derece korunma veya kişiden kişiye bulaşın önlenmesi diğer kanamalı ateşlerle aynıdır. Marburg Kanamalı Ateşi çok nadir görülen bir hastalıktır. Ancak görüldüğünde diğer insanlara, özellikle de hastanın bakımıyla ilgilenen aile üyelerine ve sağlık personeline bulaşma potansiyeli yüksektir. Hastalığın görüldüğü bölgelere seyahat edecekler şunlara mutlaka dikkat etmelidirler: Canlı ya da ölü meyve yarasaları, primatlar ve bunların çıkartılarıyla temastan kaçınmak, vahşi hayvan eti yememek, hasta olduğu düşünülen insanlarla yakın temastan kaçınmak, elleri sık sık su ve sabunla yıkamak veya alkol bazlı el dezenfektanlarıyla temizlemek, önem arz etmektedir. Seyahat dönüşü öneriler arasında; ani başlayan, ateş, titreme, baş ağrısı, kas ağrısı, döküntü şikayetleri olması halinde derhal bir sağlık kuruluşuna başvurulması ve doktora seyahatten mutlaka bahsedilmesi önerilmektedir [36].

1.4. NİPAH VİRÜS ENFEKİYONU

Nipah virüsü (NiV), Henipavirus cinsinde yer alan bir RNA virüsüdür ([38, 39]. Nipah virüsü, ilk defa Malezya ve Singapur'da 1998 ve 1999 yılları arasında domuzlarda ciddi solunum yolları hastalığına ve insanlarda ensefalitik hastalıklara yol açan bir salgından sonra zoonotik bir patojen olarak tanımlanan bir RNA virüsü olup Paramyxoviridae ailesinin bir parçasıdır. Nipah virüsü domuz gibi evcil hayvanlarda bir dizi hafif ila şiddetli hastalığa neden olabilir. İnsanlarda Nipah virüsü enfeksiyonu, asemptomatik enfeksiyondan (subklinik) akut solunum yolu enfeksiyonuna ve ölümcül ensefalite kadar çeşitli klinik tablolara neden olur. Nipah virüsü, insanlara hayvanlardan (yarasalar, domuzlar) bulaşabilir ve ayrıca doğrudan insandan insana bulaşabilir. Pteropodidae ailesinden olan meyve yarasaları, Nipah virüsünün doğal konakçısıdır. İnsanlar ya da hayvanlar için herhangi bir tedavi ya da aşı mevcut değildir. İnsanlar için birincil tedavi destekleyici bakımdır. Nipah virüsü, DSÖ'nün Blueprint öncelikli hastalıkların listesinde yer almaktadır. Nipah virüsü (NiV), yeni görülen zoonotik bir virüstür (hayvanlardan insanlara bulaşan bir virüs). Enfekte kişilerde, Nipah virüsü, asemptomatik (subklinik) enfeksiyondan akut solunum yolu hastalığına ve ölümcül ensefalite kadar çeşitli hastalıklara neden olur. NiV, domuz gibi hayvanlarda da ciddi hastalıklara neden olabilir, bu da çiftçiler için önemli ekonomik kayıplara neden olur. Nipah virüsü, Hendra virüsü ile yakından ilişkilidir. Her ikisi de Paramyxoviridae ailesindeki yeni bir virüs sınıfı olan Henipavirus cinsinin üyeleridir [37, 38].

Bulaşma; NiV zoonotik bir virüstür (hayvanlardan insanlara bulaşan bir virüs). Malezya ve Singapur'daki ilk salgınlar sırasında çoğu insanlarda enfeksiyon, insanların hasta domuzlarla ya da bunların kontamine olmuş dokularıyla doğrudan temas etmesinden kaynaklanmıştır. İletimin, solunum damlacıkları, domuzların boğaz veya burun salgılarıyla temas edilmesi veya hasta bir hayvanın dokusuyla temas edilmesiyle meydana geldiği düşünülmektedir. Bangladeş ve Hindistan salgınlarında, enfekte meyve yarasalarının idrar veya tükürükleriyle kontamine olmuş meyve veya meyve ürünlerinin (ör. Ham hurma suyu) tüketimi en çok görülen

enfeksiyon kaynağı olmuştur. NiV'nin insandan insana iletimi sınırlı da olsa enfekte olmuş NiV hastalarının aileleri ve bakım verenleri arasında rapor edilmiştir. Bangladeş ve Hindistan'daki daha sonra meydana gelen salgınlar sırasında, Nipah virüsü insanların salgı ve dışkılarıyla yakın temas yoluyla doğrudan insandan insana yayılmıştır. Hindistan'ın Siliguri şehrinde bir sağlık tesisinde vakaların hastane personeli ya da ziyaretçilerin % 75'i arasında görüldüğü virüs iletiminin meydana geldiği (hastane kaynaklı) bildirilmiştir. 2001'den 2008'e kadar, Bangladeş'te rapor edilen vakaların yaklaşık yarısı, enfekte hastalara sağlanan bakım yoluyla insandan insana iletimden kaynaklanmıştır.

Belirti ve Bulgular; insan enfeksiyonları asemptomatik enfeksiyon, akut solunum yolu enfeksiyonu (hafif, şiddetli) ve ölümcül ensefalitten oluşmaktadır. Enfekte insanlarda başlangıçta ateş, baş ağrısı, kas ağrısı (miyalji), kusma ve boğaz ağrısı gibi grip benzeri semptomlar gelişmektedir. Bunu baş dönmesi, uyuşukluk, bilinç değişikliği ve akut ensefalitiye işaret eden nörolojik belirtiler takip edebilir. Bazı kişilerde akut solunum sıkıntısı da dahil olmak üzere atipik pnömoni ve ciddi solunum problemleri görülebilir. Ciddi vakalarda, 24 ila 48 saat içinde komaya dönüşen Ensefalit ve nöbetler ortaya çıkar.

İnkübasyon süresi (enfeksiyondan semptomların başlangıcına kadar olan aralık) 4-14 gün arasında değişmektedir. Ancak 45 günü bulan inkübasyon süresinin görüldüğü bildirilmiştir.

Akut ensefalitten sağ kalanların çoğunda tamamen iyileşme görülür ancak sağ kalanlarda uzun süreli nörolojik durumların ortaya çıktığı bildirilmiştir. Hastaların yaklaşık% 20'sinde nöbet bozukluğu ve kişilik değişiklikleri gibi kalıcı nörolojik sonuçlar devam etmektedir. Sonradan iyileşen az sayıda insanda tekrar kötüleşme görülür veya gecikmiş başlangıçlı ensefalit gelişir. Olgu ölüm oranı % 40 ila % 75 arasında tahmin edilmektedir; Bununla birlikte, bu oran epidemiyolojik sürveyans ve klinik yönetim için yerel kapasiteye bağlı olarak salgına göre değişebilir [37, 38].

Evcil hayvanlarda Nipah virüsü; domuzlarda ve diğer evcil hayvanlarda (atlar, keçiler, koyunlar, kediler ve köpekler) Nipah salgınları ilk olarak 1999 yılında Malezya'daki ilk salgın sırasında bildirilmiştir. Nipah virüsü domuzlarda oldukça bulaşıcıdır. Domuzlar 4 ila 14 gün arasında süren inkübasyon döneminde bulaşıcıdır. Enfekte bir domuzda herhangi bir semptom görülmez, ancak bazıları akut ateşli hastalık, solunum zorluğu ve titreme, seğirme ve kas spazmları gibi nörolojik semptomlar gelişir. Genellikle, genç domuz yavruları dışında mortalite düşüktür. Bu belirtiler domuzların diğer solunum ve nörolojik hastalıklarından önemli ölçüde farklı değildir. Domuzların sıra dışı bir havlama öksürüğü varsa veya insan ensefaliti vakaları mevcutsa, Nipah'tan şüphelenilmelidir [37, 38, 39].

Pasif bağışıklık oluşturma; Henipavirüs Nipah G glikoproteininin ephrin-B2 ve ephrin-B3 reseptör bağlanma alanını hedefleyen bir insan monoklonal antikoru - m102.4 kullanılarak pasif immünizasyon, gelincik modelinde maruziyet sonrası profilaksi olarak değerlendirilmiştir. m102.4, Avustralya'da merhametli kullanım temelinde insanlarda kullanılmıştır ve 2013 yılında klinik öncesi gelişimdedir [40, 41, 42]

Korunma; evcil hayvanlarda Nipah virüsünün kontrolü için günümüzde herhangi bir aşı bulunmamaktadır. Domuz çiftliklerinin (uygun antisptiklerle) rutin ve eksiksiz temizlenmesi ve dezenfeksiyonu, enfeksiyonun önlenmesinde etkili olabileceği bildirilmektedir. Bir salgın şüphesi varsa, hayvanların bulunduğu bina ve araziler derhal karantinaya alınmalıdır. İnsanlara bulaşma riskini azaltmak için enfekte hayvanların itlaf edilmesi - gözetim altında ölü hayvanların gömülmesi veya yakılması - gerekli olabilir. Hayvanların enfekte çiftliklerden diğer alanlara taşınmasını sınırlamak ya da yasaklamak, hastalığın yayılmasını azaltabilir[37,

38, 39, 42]. Evcil hayvanlarda Nipah virüsü salgınları insan vakalarından önce var olduğundan, Tek Sağlık (One Health) yaklaşımını kullanarak bir hayvan sağlığı sürveyans sistemi kurmak yeni vakaları tespit etmek için veterinerlik ve insan halk sağlığı yetkilileri için erken uyarı sağlanmasında önemlidir [37, 38, 39, 42]. Ruhsatlı bir aşımın yokluğunda, insanlarda enfeksiyonun azaltılmasının tek yolu, risk faktörleri hakkında farkındalık yaratmak ve hastalığa maruziyeti azaltmak ve NiV enfeksiyonunu azaltmak üzere alabilecekleri önlemler hakkında insanları eğitmek olacaktır. Halk sağlığı eğitim mesajları aşağıdakilere odaklanmalıdır. Yarasadan insanlara bulaşma riskinin azaltılması, bulaşmayı önlemeye yönelik çabalar, öncelikle hurma özü ve diğer taze gıda ürünlerine olan yarasa erişimini azaltmaya odaklanmalıdır. Yarasaların hurma özsuyu toplama alanlarından uzak tutulmasında koruyucu örtüler (örneğin; Bambu özsuyu örtüleri) yararlı olabilir. Taze toplanan hurma suyu kaynatılmalı ve meyve tüketilmeden önce iyice yıkanmalı ve soyulmalıdır. Hayvandan insana bulaşma riskinin azaltılması: Hasta hayvanlar veya dokularıyla temas esnasında, kesim ve itlaf etme işlemleri sırasında eldivenler ve diğer koruyucu kıyafetler giyilmelidir. Mümkün olduğunca, insanlar enfekte domuzlarla temastan kaçınılmalıdır. İnsandan insana bulaşma riskinin azaltılması: Nipah virüsüyle enfekte kişilerle korumasız fiziksel temastan kaçınılmalıdır. Hasta insanların bakımı veya ziyaretinden sonra düzenli olarak eller yıkanmalıdır [37, 38, 39, 40, 41, 42].

Sağlık tesislerinde enfeksiyon kontrolü amacıyla, şüpheli veya doğrulanmış NiV enfeksiyonu olan hastalarla veya onlardan alınan örneklerle ilgilenen sağlık çalışanları, tüm hastalar için standart enfeksiyon kontrol önlemlerini devamlı uygulamalıdır. İnsandan insana iletimin özellikle de hastanelerde gerçekleştiği rapor edildiğinden, standart önlemlerin yanı sıra temas ve damlacık önlemleri de kullanılmalıdır. İnsanlardan ve NiV enfeksiyonu şüphesi olan hayvanlardan alınan örnekler uygun donanımlı laboratuvarlarda çalışan eğitimli personel tarafından ele alınmalıdır [37, 38, 39, 40, 41, 42].

1.5. HENDRA VİRÜS ENFEKSİYONU

Henipavirüs Paramyxoviridae familyasından yer alan beş tür içeren Mononegavirales takımından RNA virüslerdir. Henipavirüsler doğal olarak pteropid meyve yarasaları (uçan tilkiler) ve çeşitli türde küçük yarasalar tarafından barındırılmaktadır. Henipavirüsler, uzun genomlar ve geniş bir konakçı aralığı ile karakterizedir. Evcil hayvanlarda ve insanlarda hastalık ve ölüme neden olabilecek zoonotik patojenler olarak ortaya çıkmaları endişe vericidir. 2009 yılında, Gana'daki Afrika saman renkli meyve yarasalarında (Eidolon helvum), bilinen henipavirüslerle filogenetik ilişkide üç yeni virüsün RNA dizileri tespit edilmiştir. Avustralya ve Asya dışındaki bu yeni henipavirüslerin bulunması, henipavirüslerin potansiyel endemiklik bölgesinin dünya çapında olabileceğini göstermektedir. Bu Afrika henipavirüsleri yavaş yavaş karakterize edilmektedir [43, 44, 45, 46, 47]

Henipavirüslerin ortaya çıkışı, son yıllarda diğer zoonotik virüslerin ortaya çıkmasına paraleldir. SARS koronavirüsü, Avustralya yarasası lyssavirüsü, Menangle virüsü ve muhtemelen Ebola virüsü ve Marburg virüsü de yarasalar tarafından barındırılır ve çeşitli diğer türleri enfekte edebilir. Bu virüslerin her birinin ortaya çıkması, bazen bir ara evcil hayvan konakçısı içeren yarasalar ve insanlar arasındaki temastaki bir artışla bağlantılıdır. Artan temas hem yarasaların topraklarına insan saldırısı (Nipah, özellikle söz konusu bölgedeki domuzlar) hem de yarasaların gıda dağılımındaki değişiklikler ve habitat kaybına bağlı olarak insan popülasyonlarına doğru hareket etmesiyle olur. Hem Güney Asya hem de Avustralya'da

(özellikle doğu kıyısı boyunca) uçan tilkiler için habitat kaybının yanı sıra insan konutlarının ve tarımın geri kalan habitatlara girmesinin, insan ve uçan tilki dağılımlarının daha büyük örtüşmesine neden olduğuna dair kanıtlar vardır [42].

1.6. COVID-19 VE SARS CORONAVİRÜS NFEKSİYONLARI

WHO Dünya Sağlık Örgütü güncel verilerine göre salgından etkilenen hasta sayısı 18.142.000.000 ve ölüm sayısı ise 700.000'i aşmıştır. COVID-19 koronavirüsler (CoV'lar) adı altında bilinen geniş bir virüs ailesine aittir, zarflı pozitif kutuplu RNA virüsleri olup yüzeyde yer alan kulüp benzeri sivri çıkıntılara sahiptirler, alışılmadık derecede büyük bir RNA genomu ve benzersiz bir çoğaltma stratejisi ile karakterizedirler. Coronavirüsler, memelilerde, kanatlılarda, sığırlarda ve domuzlarda şiddeti değişen ve çoklu organı etkileyen enterit ve üst solunum yolu enfeksiyonlarına neden olurken, insanlarda üst solunum yolu hastalıklarından ölümcül potansiyeli olabilen enfeksiyonlara kadar çeşitli hastalıklara neden olurlar. Önceki dönemde ortaya çıkan ve 2003 yılında pandemiye yol açan yüksek oranda patojenik Şiddetli Akut Solunum Sendromu Coronavirüs (SARS-CoV) ile 2012 yılında tanımlanan Orta Doğu Solunum Sendromu Coronavirüs (Middle East Respiratory Syndrome, MERS-CoV) salgınları en çarpıcı örnekler olarak karşımıza çıkmaktadır [49].

Betacoronavirüs (β -CoV veya beta-CoV), Nidovirales takımından Coronaviridae familyasının Orthocoronavirinae alt familyasında yer alan 4 koronavirüs cinsinden biridir. Betacoronavirüsler, zoonotik kökenli, zarflı, pozitif anlamlı, tek sarmallı RNA virüsleridir ve dört adet farklı virüs soyundan oluşur. İnsanlarda tıbbi öneme sahip beta-CoV'ler olan OC43 ve HKUI-A soyundan, SARS CoV ve SARS CoV-2'ler B soyundan, MERS COV ise C soyundan gelmektedir. MERS CoV soy C'ye ait ve insanları enfekte ettiği bilinen ilk beta koronavirüstür. Alphacoronavirüs ve Betacoronavirüs cinsleri yarası gen havuzundan gelmektedir [50, 51, 52]. Coronavirüsler (CoV'ler), çeşitli, zarflı, pozitif duyu ve tek sarmallı RNA virüslerinden oluşan bir gruptur. 30 kilobazdan daha uzun bir boyuta sahip en büyük RNA genomu olan virüslerdir. Virüsün enbelirgin özelliği, 125 nanometre büyüklüğünde etrafındaki çubuk benzeri çıkıntılardır, bu özellik ile güneşin taç küresine (Latin: corona) benzediği için koronavirüs olarak adlandırılır [53].

İlk yüksek patojenik HCoV olan SARS-CoV'nin ortaya çıkmasından önce, HCoV'ler hakkında bilgi çok azdı, oysa veteriner hekimlik alanında hayvan CoV'leri, evrimleri ve patobiyolojileri hakkında geniş bilgi vardır. Kanatlı hayvanların ve kedi enfeksiyonlu peritonit virüsünün (FIPV), bulaşıcı bronşit virüsü (IBV), CoV'ların nasıl mutasyona uğrayabileceği, doku tropizmi ve virülans larını değiştirdiği hayvan örneklerini temsil eden enfeksiyonlar sayesinde 1900'ün başından beri bilinmektedir. Buna ek olarak domuz CoV'leri yeni konakçılara bulaşan tür bariyerlerini nasıl aşabileceği konusunda bilgiler içermektedir. Bulaşıcı gastroenterit virüsü (TGEV, alfacoronavirus), muhtemelen köpek koronavirüs ile yakından enfeksiyonuna (PRCOV) neden olmuştur [54].

Aralık 2019'un sonlarında, Wuhan, Çin'de sağlık görevlilerinin dikkatini çeken açıklanamayan bir kitle pnömonisi vakası meydana geldi (Roman, 2020: 23). Birkaç gün sonra, bu gizemli pnömoninin etkeni yeni bir koronavirüs olarak tanımlandı. Bu nedensel virüs geçici olarak Dünya Sağlık Örgütü aracılığıyla ağır akut solunum sendromu, koronavirüs hastalığı 2019 (COVID-19) olarak adlandırılmıştır [55, 56].

SONUÇ

Zoonoz pandemiler doğal yaşam kaynaklı enfeksiyonların önlenmesinde bu alanların korunmasının önemini göstermiştir. Sınırlanan doğal yaşam alanları bazı türleri ortadan kaldırırken bazılarının insanla daha fazla yakınlaşmalarına yol açmaktadır. Bu durum bazen istenmeyen kazalar, bazen de kontrolsüz hayvan ticareti ile zoonoz enfeksiyonlara yol açabilmektedir. COVID-19 benzer şekilde bir mekanizmanın işlemesiyle ortaya çıkmıştır. Dünya genelinde acilen iki önlem alınmalıdır. Doğal yaşam alanlarının korunmasıyla başta yarasalar olmak üzere doğal yaşamın insanla istenmeyen ve kontrolsüz teması önlenmelidir. Nesli tükenmekte olan yaban hayatının insan tüketimi olarak canlı hayvan pazarlarında sağlıksız koşullarda satışlarının ve bulundurmalarının kısıtlanması veya tamamen yasaklanmalıdır. Hayvan kökenli CoV'lerin yirmi yıl gibi kısa bir sürede üç farklı pandemi ile zoonoz enfeksiyonlar yaratarak insan sağlığını ciddi olarak tehdit ettikleri düşünüldüğünde, pandemiye yol açan başta CoV'ler olmak üzere diğer patojenlerin ortaya çıkışını önlemek için doğaya ve çevremize daha saygılı bir döneme geçilmesi zaruridir. Doğal yaşam alanlarının etrafında yaşayan bölge insanları doğal yaşamın ve rezerv alanların korunması konusunda bilinçlendirilmelidir. Zoonoz ve antropozoonoz enfeksiyonlar olarak halk sağlığı açısından tehdit oluşturan enfeksiyöz hastalıkların kontrolü ile bu hastalıkların yayılımı ve evriminin anlaşılmasını sağlayan bir kavramdır. 'Tek Tıp' yaklaşımında ele alınmalıdır ve bu alanda çalışacak tüm birimleri ve araştırmacıları kapsayan multidisipliner işbirliği gerektirmektedir.

KAYNAKLAR

- [1] WHO. Zoonoses. <https://www.who.int/topics/zoonoses/en/>. Erişim tarihi 30.06.2020.
- [2] CDC, One Health, Zoonotic Diseases. <https://www.cdc.gov/onehealth/basics/zoonotic-diseases.html>. Erişim tarihi 30.06.2020.
- [3] European Centre for Disease Prevention and Control. The European Union One Health 2018 Zoonoses Report. 12 Dec 2019.
- [4] Messenger, A.M., Barnes, A.N, Gray, G.C. (2014), Reverse zoonotic disease transmission (zooanthroponosis): a systematic review of seldom-documented human biological threats to animals. Plos One. 9 (2): e89055. Bibcode:2014PLoSO...989055M. doi:10.1371/journal.pone.0089055.
- [5] Taylor, L.H., Latham, S.M., Woolhouse, M.E. (2001), Risk factors for human disease emergence. Philosophical Transactions of the Royal Society B: Biological Sciences. 356 (1411): 983–89. doi:10.1098/rstb.2001.0888.
- [6] Marx, P.A, Apetrei, C., Drucker, E. (2004). AIDS as a zoonosis? Confusion over the origin of the virus and the origin of the epidemics. Journal of Medical Primatology. 33 (5–6): 220–26. doi:10.1111/j.1600-0684.2004.00078.x.
- [7] MacKenzie, J.S.; Smith, D.W, (2020). "COVID-19: A novel zoonotic disease caused by a coronavirus from China: What we know and what we don't". 41: 45. doi:10.1071/MA20013.
- [8] Rabies Fact Sheet N°99. World Health Organization. <https://www.who.int/news-room/fact-sheets/detail/rabies> Erişim tarihi 30.06.2020.
- [9] Buzgan, T., Irmak, H., Yılmaz,G.H., Torunoğlu, M.A., Safran, A. (2009), Epidemiology of human rabies in Turkey:1992-2007 . Turk J Med Sci., 39 (4): 591-597. doi:10.3906/sag-0901-6.

- [10] Johnson, N., Un, H., Vos, A., Aylan, O., Fooks, R. (2006), Wildlife rabies in Western Turkey: the spread of rabies through the western provinces of Turkey. *Epidemiol Infect.* 134(2): 369–375. doi: 10.1017/S0950268805005017
- [11] Zoonosis. https://en.wikipedia.org/wiki/Zoonosis#cite_note-9. Erişim tarihi 30.06.2020.
- [12] Bat virome. https://en.wikipedia.org/wiki/Bat_virome#cite_note-Olival-4. Erişim tarihi 30.06.2020.
- [13] Calisher, C. H.; Childs, J. E.; Field, H. E.; Holmes, K. V.; Schountz, T, (2006). Bats: Important Reservoir Hosts of Emerging Viruses. *Clinical Microbiology Reviews.* 19 (3): 531–545. doi:10.1128/CMR.00017-06.
- [14] Moratelli, R.C., Charles H, (2015). Bats and zoonotic viruses: Can we confidently link bats with emerging deadly viruses?. *Memórias do Instituto Oswaldo Cruz.* 110 (1): 1–22. doi:10.1590/0074-02760150048.
- [15] Olival, K.J.; Weekley, C.C.; Daszak, P. (2015), Are Bats Really 'Special' as Viral Reservoirs? What We Know and Need to Know. *Bats and Viruses.* pp. 281–294. doi:10.1002/9781118818824.ch11. ISBN 978-1118818824.
- [16] Mollentze, N.; Streicker, D.G. (2020), Viral zoonotic risk is homogenous among taxonomic orders of mammalian and avian reservoir hosts. *Proceedings of the National Academy of Sciences.* 117 (17): 9423–9430. doi:10.1073/pnas.1919176117.
- [17] Rabies. <https://en.wikipedia.org/wiki/Rabies>. Erişim tarihi 30.06.2020.
- [18] Cotran R.S, Kumar V., Fausto N. (2005), *Robbins and Cotran Pathologic Basis of Disease* (7th ed.). Elsevier/Saunders. p. 1375. ISBN 978-0-7216-0187-8.
- [19] ICTV. *Virus Taxonomy: 2014 Release*. Retrieved 15 June 2015.
- [20] Tintinalli, J.E (2010), *Emergency Medicine: A Comprehensive Study Guide* (Emergency Medicine (Tintinalli)). McGraw-Hill. pp. Chapter 152. ISBN 978-0-07-148480-0.
- [21] Wunner, W.H. (2010), *Rabies: Scientific Basis of the Disease and Its Management*. Academic Press. p. 556. ISBN 9780080550091.
- [22] Hemachudha T, Ugolini G, Wacharapluesadee S, Sungkarat W, Shuangshoti S, Laothamatas J (May 2013). "Human rabies: neuropathogenesis, diagnosis, and management". *The Lancet. Neurology.* 12 (5): 498–513. doi:10.1016/s1474-4422(13)70038-3. PMID 23602163.
- [23] UC Davis Children's Hospital patient becomes third person in U.S. to survive rabies". UC Davis Medical Center. Archived from the original on 21 May 2012. Retrieved 3 May 2012.
- [24] Manoj, S., Mukherjee, A., Johri, S., Kumar, K.V. (2016), "Recovery from rabies, a universally fatal disease". *Military Medical Research.* 3 (1): 21. doi:10.1186/s40779-016-0089-y. PMC 4947331. PMID 27429788.
- [25] Wang, H., Naghavi, M., Allen, C., Barber, R.M, Bhutta, Z.A, Carter, A., et al. (2016), GBD 2015. Mortality and Causes of Death Collaborators. "Global, regional, and national life expectancy, all-cause mortality, and cause-specific mortality for 249 causes of death, 1980–2015: a systematic analysis for the Global Burden of Disease Study 2015". *Lancet.* 388 (10053): 1459–1544. doi:10.1016/s0140-6736(16)31012-1. PMC 5388903. PMID 27733281.
- [26] Rabies-Free Countries and Political Units". CDC. Archived from the original on 5 March 2014. Retrieved 8 May 2019.
- [27] Neglected Tropical Diseases". *cdc.gov.* 6 June 2011. Archived from the original on 4 December 2014. Retrieved 28 November 2014.

- [28] Marburg virüs infection. https://en.wikipedia.org/wiki/Marburg_virus. Erişim Tarihi: 30.06.2020.
- [29] Kuhn, J.H., Becker, S., Ebihara, H., Geisbert, T. W, Johnson, K.M., Kawaoka, Y., Lipkin, W.I., Negredo, A.I.; Netesov, S.V.; Nichol, S.T.; Palacios, G., Peters, C.J., Tenorio, A., Volchkov, V.E., Jahrling, P.B. (2010), Proposal for a revised taxonomy of the family Filoviridae: Classification, names of taxa and viruses, and virus abbreviations. Archives of Virology. 155 (12): 2083–2103. doi:10.1007/s00705-010-0814-x. PMC 3074192. PMID 21046175.
- [30] Spickler, A. Ebolavirus and Marburgvirus Infections. (2016), 1-13. www.cfsph.iastate.edu. Erişim Tarihi: 30.06.2020.
- [31] US Department of Health and Human Services. (2011), Biosafety in Microbiological and Biomedical Laboratories (BMBL) 5th Edition. Retrieved 2011-10-16.
- [32] US Centers for Disease Control and Prevention (CDC). (2011), Bioterrorism Agents/Diseases. Archived from the original on 2014-07-22. Retrieved 2011-10-16.
- [33] WHO. Marburg virus disease Fact sheet Updated October 2017 http://www.who.int/mediacentre/factsheets/fs_marburg/en/. Erişim Tarihi: 30.06.2020.
- [34] Skwarecki, B. (2014). Ebola, Marburg DNA Vaccines Prove Safe in Phase 1 Trial Medscape Medical News, September 17, 2014.
- [35] Evaluating an Ebola and a Marburg Vaccine in Uganda U.S. Department of Health & Human Services. Erişim Tarihi: 30.06.2020.
- [36] Marburg humması. <https://www.seyahatsagligi.gov.tr/site/HastalikDetay/Marburg-Hummasi>. Erişim Tarihi: 30.06.2020.
- [37] Nipah virüsü enfeksiyonu. <https://www.seyahatsagligi.gov.tr/site/hastalikdetay/nipah-virusu>. Erişim Tarihi: 30.06.2020.
- [38] Nipah virüs infection. <http://www.who.int/news-room/fact-sheets/detail/nipah-virus>. Erişim Tarihi: 30.06.2020.
- [39] Nipah virüs infection. <https://www.who.int/csr/disease/nipah/en/>. Erişim Tarihi: 30.06.2020.
- [40] Nipah virüs infection. https://en.wikipedia.org/wiki/Nipah_virus_infection. Erişim Tarihi: 30.06.2020.
- [41] Broder, C.C., Xu, K., Nikolov, D.B., Zhu, Z., Dimitrov, D.S., Middleton, D., et al. (2013), A treatment for and vaccine against the deadly Hendra and Nipah viruses. Antiviral Research. 100 (1): 8–13.
- [42] Nipah Virus (NiV) CDC". www.cdc.gov. CDC. Archived from the original on 16 December 2017. Retrieved 21 May 2018.
- [43] Rima, B; Balkema-Buschmann, A; Dundon, WG; Duprex, P; Easton, A; Fouchier, R; Kurath, G; Lamb, R; Lee, B; Rota, P; Wang, L; ICTV Report Consortium (December 2019). "ICTV Virus Taxonomy Profile: Paramyxoviridae". The Journal of General Virology. 100 (12): 1593–1594. doi:10.1099/jgv.0.001328. PMID 31609197.
- [44] Li, Y; Wang, J; Hickey, AC; Zhang, Y; Li, Y; Wu, Y; Zhang, Huajun; et al. (December 2008). "Antibodies to Nipah or Nipah-like viruses in bats, China [letter]". Emerging Infectious Diseases. 14 (12): 1974–6. doi:10.3201/eid1412.080359. PMC 2634619. PMID 19046545.
- [45] Sawatsky (2008). "Hendra and Nipah Virus". Animal Viruses: Molecular Biology. Caister Academic Press. ISBN 978-1-904455-22-6.

[46] Drexler JF, Corman VM, Gloza-Rausch F, Seebens A, Annan A (2009). Markotter W (ed.). "Henipavirus RNA in African Bats". PLOS One. 4 (7): e6367. Bibcode:2009PLoS...4.6367D. doi:10.1371/journal.pone.0006367. PMC 2712088. PMID 19636378.

[47] Drexler JF, Corman VM; et al. (2012). "Bats host major mammalian paramyxoviruses". Nat Commun. 3: 796. doi:10.1038/ncomms1796.

[48] Henipavirus infections. <https://en.wikipedia.org/wiki/Henipavirus>. Erişim Tarihi: 30.06.2020.

[49] Furness, J.B., Callaghan, B.P., Rivera, L.R., Cho, H.J. (2014), The enteric nervous system and gastrointestinal innervation: integrated local and central control. In Microbial endocrinology: The microbiota-gut-brain axis in health and disease (pp. 39-71). Springer, New York, NY.

[50] Lau, S.K., Poon, R.W., Wong, B.H., Wang, M., Huang, Y., Xu, H., Zheng, B J. (2010), Coexistence of different genotypes in the same bat and serological characterization of Roussettus bat coronavirus HKU9 belonging to a novel Betacoronavirus subgroup. Journal of virology, 84(21), 11385-11394.

[51] Lau, S.K., Woo, P.C., Yip, C.C., Fan, R.Y., Huang, Y., Wang, M., Chan, K.H. (2012), Isolation and characterization of a novel Betacoronavirus subgroup A coronavirus, rabbit coronavirus HKU14, from domestic rabbits. Journal of virology, 86(10), 5481-5496.

[52] Lau, S.K., Woo, P.C., Li, K.S., Tsang, A.K., Fan, R.Y., Luk, H.K., Yuen, K.Y. (2015), DisCoVery of a novel coronavirus, China Rattus coronavirus HKU24, from Norway rats supports the murine origin of Betacoronavirus 1 and has implications for the ancestor of Betacoronavirus lineage A. Journal of virology, 89(6), 3076-3092.

[53] Fehr, A.R., Perlman, S. (2015), Coronaviruses: an overview of their replication and pathogenesis. In Coronaviruses (pp. 1-23). Humana Press, New York, NY.

[54] Nicola, D.V.M, Linda, J.S., Canio, B. (2020), COVID-19 from veterinary medicine and one health perspectives: What animal coronaviruses have taught us. Research in Veterinary Science.

[55] He, F., Deng, Y., Li, W. (2020), Coronavirus Disease 2019 (COVID-19): What we know?. Journal of Medical Virology.

[56] World Health Organization (2020, 31. Temmuz), erişim adresi [https://www.who.int/publications-detail/report-of-the-who-china-joint-mission-on-coronavirus-disease-2019-\(CoVid-19\)](https://www.who.int/publications-detail/report-of-the-who-china-joint-mission-on-coronavirus-disease-2019-(CoVid-19)).

**MAS INTERNATIONAL EUROPEAN CONFERENCE ON
MATHEMATICS-ENGINEERING-NATURAL & MEDICAL SCIENCES-XII**

**EQUINE VIRAL INFECTIONS, EHV-1 AND EHV-4 DNA DETECTION IN RACE
HORSES NEONATAL DEATH FOALS AND NASAL SWABS, IN TURKEY**

Asist. Prof. Dr. Bilge Kaan TEKELİOĞLU

Cukurova University

Orcid Id: <https://orcid.org/0000-0001-6727-3175>

Prof. Dr. Ömer AKAY

Istanbul University

Orcid Id: <https://orcid.org/0000-0001-9692-6577>

Abstract

The purpose of this study is to describe major viral infections of horse population and the detection and differentiation of equine herpes virus type-1 (EHV-1) and equine herpes virus type-4 (EHV-4) by polymerase chain reaction (PCR). Major viruses associated with loss of performance by causing respiratory diseases in race horses are EHV-1 and EHV-4, equine influenza virus and rhinitis viruses A and B (ERAV and ERBV). In addition to respiratory infections, equine infectious anaemia virus (EIAV), equine encephalitis viruses (EEVs) and equine viral arthritis virus (EVA) are other major equine viral infections. Rabies and coronavirus infections are also seen amongst horses. For this aim it has been used morbid samples which were obtained from different breeding farms and race horse hospitals. During this study, organ tissue samples of 26 aborted fetuses and 98 nasal swab samples of race horses at 2 years old and up and which of those has shown the respiratory symptoms compatible with EHV infections had been collected and analysed by PCR. This study started up with the optimization of PCR by DNA's of reference strains, EHV-1 (89c25p) and EHV-4 (TH20p). It has been observed that the gB common oligonucleotid primers and type specific gC primers used at optimization, matched the viral DNA which were specific for them. Finally 7 EHV-1 positives at tissues of aborted fetuses of 26 and 1 EHV-1 and 2 EHV-4 at nasal swab samples of 98 has been detected and differentiated by PCR. The results indicated that, EHV-1 and EHV-4 infections occur in Turkey. The genomic DNA's of EHV-1 and EHV-4 has been detected in Turkey by PCR. We agree that the PCR is a sensitive, economic and time saving test at the detection and differentiation of EHV-1 and EHV-4 infections amongst horse population.

Keywords: Equine, virus, infection, coronavirus, influenza, rhinitis, arthritis, herpesvirus, infectious anaemia, rabies.

**This study is derivate from PhD thesis VFK231T and granted by Istanbul University Institute of Health. We are presenting our gratitude for this support.*

**MAS INTERNATIONAL EUROPEAN CONFERENCE ON
MATHEMATICS-ENGINEERING-NATURAL & MEDICAL SCIENCES-XII**

**IMPACT OF AGROFORESTRY INTERVENTION ON SOIL ORGANIC CARBON
AND NUTRIENTS STATUS: A CASE OF BHATTEDANDA, LALITPUR, NEPAL**

Kiran Ghimire
Menuka Maharjan
Tribhuvan University

Abstract

Agroforestry is a multifunction system that incorporates trees, crops and livestock. It ensures food security and contributes to energy demand such as timber, fuel wood etc. Thus, it has potential of reducing the pressure on natural forests that are the largest sink of terrestrial Carbon. Very few studies have been conducted on intangible benefits i.e. carbon sequestration and nutrient content till date. Thus, the objective of this paper was to assess the impact of agroforestry intervention on soil organic carbon and nutrient i.e. total nitrogen, available phosphorus, and available potassium in home garden and agricultural land. The study was conducted in Bhattedanda, Lalitpur, Nepal. Stratified random sampling was adopted for collecting soil samples. Soil sample was collected from 0-30 cm depth. Bulk density was found higher in Northern aspects than Southern aspects. This implies that soil in South is less compact so suitable for cultivation. Soil Organic Carbon was significantly higher in agroforestry (35.98 t/ha) than agricultural land (17.67 t/ha). It was also higher in Southern than Northern aspect in both land use system. It is due to high plant biomass and application of organic fertilizer in agroforestry. There was no significant difference on Total Nitrogen content between two land use systems. In contrast, both Available Phosphorous and Available Potassium were significantly higher in agricultural land than agroforestry. It is due to application of high amount of chemical fertilizer on agricultural land.

Keywords: Agroforestry, Agricultural land, Soil organic carbon, Nutrient, Fertilizer

EGE DENİZİ'NDE DAĞILIM GÖSTEREN DİL BALIKARINDA (*Solea solea* L. 1758)
KARACİĞER DOKUSUNDA MEYDANA GELEN FARKLILIKLARIN AYLIK
DEĞERLENDİRMESİ

Öğr. Gör. Dr. Serhat ENGİN
Doç.Dr. Şule GÜRKAN
Prof.Dr. Ertan TAŞKAVAK
Ege Üniversitesi

Özet

Bu araştırma, Ege Üniversitesi Bilimsel Araştırma komisyonu tarafından desteklenen FGA 2019-20648 nolu proje kapsamında olup, Ege Denizi'ndeki ticari balıkçılarca Şubat 2019- Ocak 2020 arasında aylık olarak yakalanmış 240 adet dil balığındaki (*Solea solea* L.1758) karaciğer gelişimi ve karaciğer dokularında meydana gelen anomalilerin histolojik olarak belirlenmesi amacıyla yapılmıştır. Çalışmada, örneklerin laboratuvarında boy ölçümleri (TL, cm) ile karaciğer ve vücut ağırlıkları (W, g) standart olarak belirlenmiştir. Farklı boy gruplarından oluşan dil balıklarının karaciğer dokuları disekte edilerek histopatolojik değerlendirmelerde kullanılmıştır. Değerlendirmeler sonucunda; populasyonun %13.75'nde karaciğer dokusunda genel bozulma, %12.08'de mikroveziküler steatozis ve hepatosit dejenerasyon, %0.8 hemoroji ve %0.8'nde sinuzoid bozulmaya rastlanılmıştır. Şubat ve Mart örneklerinde karaciğer dokuları normal sınırlar içinde olduğu saptanmıştır. Karaciğer parankimının esas hücreleri olan çokgen şekilli ve iri nukleuslu hepatositlerin oldukça düzgün kordonları mevcut olup, aralarında çok ince sinüzoidler ile karakterizedir. HSI değerleri ise bu dönemde en düşük ortalama değerlerdedir (0.71 ± 0.14 ve 0.67 ± 0.25). Nisan ve Mayıs ayında hepatositlerde herhangi bir şekil bozukluğu bulunmamakta birlikte çok az sinüzoidal hemorojiler izlenmektedir ve HSI değerleri artma eğilimindedir (0.95 ± 0.34 ; 0.95 ± 0.25). Haziran'da karaciğer dokuları histolojik ve karaciğer gelişimi yönünden normal sınırlarındadır (0.92 ± 0.21). Temmuz ayında karaciğer dokularında *mikroveziküler steatozis* ilk kez belirlenmiş olup, çeperleri yer yer parankimadan ayrılmış görünen ve ayrıca artmış kan hücresi içeren ven'deki eritrositlerde *poikilositozis*'e rastlanılmaktadır. Bu ayda karaciğerin gelişimi devamlıdır (0.99 ± 0.20). Benzer olgular, Ekim ve Aralık aylarındaki karaciğer dokusunda da rastlanılmış olup yüksek HSI değerlerine yaklaşılmaktadır (1.21 ± 0.22 ; 0.89 ± 0.51). Ancak Ağustos, Eylül, Kasım ve Ocak aylarında karaciğer hücre bütünlüğünde bozulma belirgindir ve ileri derece *makroveziküler steatozislere* rastlanılmaktadır. Karaciğer lobülü içinde görülen hepatosit nekrozları sonucunda hepatositler dejenere olmuştur. HSI değerleri sırasıyla en yüksek ortalama'yı Ağustos'da (1.29 ± 1.11) göstermişken, daha sonrasında ise azalmıştır (0.82 ± 0.28 ; 0.94 ± 0.41 , 0.67 ± 0.22). Sonuç olarak, Ege Denizindeki dil balıklarının karaciğer dokularında aylara göre farklılıklar olduğu göze çarpmaktadır. Bu durumun, türün beslediği habitata, mevsime, besin yapısına, eşeylere ve suyun fizikokimyasal yapısına göre değiştiği anlaşılmaktadır.

Anahtar kelimeler: Dil balığı, karaciğer histolojisi, hepatosomatik indeks, Ege Denizi.

MONTHLY EVALUATION OF THE DIFFERENCES OBSERVED IN LIVER TISSUE OF
THE DOVER SOLE (*Solea solea* L. 1758) FROM THE
AEGEAN SEA, TURKEY

Abstract

This survey, which is within the scope of the project numbered FGA 2019-20648 supported by Ege University Scientific Research Commission, was carried out for histological determination of liver tissues and probable anomalies in the 240 dover sole (*Solea solea* L.1758) obtained each month from commercial fishermen fishing in the Aegean Sea between February 2019 and January 2020. In the study, length measurements (TL, cm) of the specimens as well as liver and total body weights (W, g) were determined as a standard method in the laboratory. Liver tissues of the specimens in different size were dissected and used in histopathological evaluations. As a result of the evaluation, prevalent deterioration, microvesicular steatosis and hepatocyte degeneration, haemorrhage and sinusoid deterioration were observed, respectively in 13.75%, 12.08%, 0.8% and 0.8% of the liver tissues examined. Liver tissues were found to be within normal limits among the February and March specimens. The polygon-shaped hepatocytes with large nucleus, which are the main cells of the liver parenchyma, have very smooth cords and are characterized by very thin sinusoids between each other. The HSI values were the lowest in this period (0.71 ± 0.14 and 0.67 ± 0.25). In April and May samples, although there is no deformity in hepatocytes, very few sinusoidal haemorrhages are observed and the HSI values have trend to increase (0.95 ± 0.34 ; 0.95 ± 0.25). In terms of histological and liver evaluation, the liver tissues examined are within normal limits (0.92 ± 0.21) in June. The *microvesicular steatosis* was detected for the first time among the liver tissues of the specimens in July, and *poikilocytosis* was seen in erythrocytes in the vein, whose membranes appear to be separated from parenchyma in some places and also contain increased blood cells. The HSI values that indicate liver development were also found to increase in this month (0.99 ± 0.20). Similar findings were observed in liver tissues of the October and December specimens, and high HSI values were calculated (1.21 ± 0.22 ; 0.89 ± 0.51). However, deterioration in liver cell integrity was evident among the samples of August, September, November and January and advanced *macrovesicular steatosis* was encountered. Hepatocytes have degenerated as a result of hepatocyte necrosis seen in the hepatic lobules. The HSI values showed the highest average in August (1.29 ± 1.11) respectively, then decreased (0.82 ± 0.28 ; 0.94 ± 0.41 , 0.67 ± 0.22). Hepatocytes have deteriorated as a result of hepatocyte necrosis seen in the liver lobules. The highest HSI mean values (1.29 ± 1.11) seen in August have decreased afterwards (0.82 ± 0.28 ; 0.94 ± 0.41 , 0.67 ± 0.22). As a result, in terms of months, it is remarkable that there are differences in liver tissues of *S. solea* from Aegean Sea. These differences seen in liver tissues are thought to emerged depending on the feeding habitats, seasons, nutrient structures, genders and physicochemical structure of water.

Keywords: Dover sole, *Solea solea*, liver histology, hepatosomatic index, Aegean Sea.

**EVALUATION OF ANTI-INFLAMMATORY ACTIVITY OF DIFFERENT
EXTRACTS OF *PLECTRANTHUS RUGOSUS***

Mir Reyaz Hassan

Masoodi Mubashir Hussain

University of Kashmir, Hazratbal, Srinagar 190006, Kashmir, India

Abstract

Background: *Plectranthus rugosus* also known as flavoring herb belongs to family labiate. The herb is native to Mediterranean and European region. In India, the herb mainly grows in the Himalayan region from Kashmir to Sikkim at an altitude of 1600-3800m. It emanates a characteristic aroma and enjoys a reputation as an anti-inflammatory, antiseptic, germicidal and cardiac stimulant in local medicine(1). No attempts have been made yet to study in detail the anti-inflammatory activity of *Plectranthus rugosus*. **Aim/Objective:** The current study aims to evaluate the anti-inflammatory potential of various extracts (P1, P2) of *Plectranthus rugosus*. **Methods:** The study was designed to investigate the anti-inflammatory effect of different extracts against NO, TNF- α and IL-6 production in Lipopolysaccharide (LPS)-stimulated RAW264.7 cells(2). **Results:** P1 extract showed maximum anti-inflammatory activity among the extracts. **Conclusion:** In summary, the anti-inflammatory effect of P1 extract of *Plectranthus rugosus* showed potential inhibition of pro-inflammatory cytokines TNF- α and IL-6. Other pro-inflammatory mediators including nitric oxide (NO) are also inhibited by the extract. Moreover, MTT assay also confirmed the extracts don't affect cell viability upto 20 μ g/mL.

Keywords: Phytoconstituents, NO, anti-inflammatory, Macrophages, Labiateae, IL-6

**MAS INTERNATIONAL EUROPEAN CONFERENCE ON
MATHEMATICS-ENGINEERING-NATURAL & MEDICAL SCIENCES-XII
INNOVATIVE NUMERICAL APPROACHES BASED ON TRADITIONAL SLOPE
STABILITY ANALYSIS METHODS: A PRELIMINARY STUDY**

Asst. Prof. Dr. Mert TOLON
Civil Eng. Ersin YILDIZ
İstanbul Gedik University

Abstract

In this study, in order to solve the slope stability problem, which is one of the fundamental issues of geotechnical engineering, besides the licensed programs in the sector, it was aimed to develop a software of Turkish origin licensed by Istanbul Gedik University by writing code with Matlab software. This research will start with an analysis of a case in the Pendik region. The developed model was created by taking the parameters related to the ground profile from the administration. The necessary borings were made in the case area, and the laboratory data obtained are given in this article. The study area consists of two layers. The upper layer is the filler, and the lower layer is sandstone.

The underground water level is out of scope. The limit equilibrium method (LEM) was chosen for estimation analysis. The calculation of LEM by computer gives more reliable results. Thanks to the developed model, many possibilities can be reviewed in a short time. The calculations were first calculated with the Talren software by the geotechnical office. According to the results, the overlap of the safety factor is the first phase of the software to be developed. The developed software will investigate the stability of slopes and decide whether it is safe or not. If the first phase is provided, the software will be further developed, and it will be provided to calculate the analysis of slopes with different geometry and soil parameters. The slope stability results with varying geometries in the literature will be compared with the developed software, and the proximity of the safety factors will be examined. As a result of the software being user-friendly and reliable, it is aimed to be offered to the users. In the later stages, features will be added to improve unstable slopes.

Keywords: Pendik, matlab, geotechnical model, slope stability, sliding plane, limit equilibrium method.

**GELENEKSEL ŞEV STABİLİTESİ ANALİZ YÖNTEMLERİNE DAYALI
YENİLİKÇİ SAYISAL YAKLAŞIMLAR: ÖN ÇALIŞMA BULGULARI**

Özet

Bu çalışmada, geoteknik mühendisliğinin temel sorunlarından biri olan şev stabilitesi probleminin çözümü için, sektörel olarak kullanılan lisanslı programların yanı sıra, Matlab ile kod yazılarak İstanbul Gedik Üniversitesi lisanslı bir yazılım geliştirmek amaçlanmıştır. Bu araştırma da Pendik bölgesindeki bir vakanın analizi ile başlayacaktır. Zemin profili ile ilgili parametreler idareden alınarak hesap modeli oluşturulmuştur. Vaka bölgesinde gerekli sondajlar yapılmış ve elde edilen laboratuvar verileri sunulmuştur. Çalışma alanı iki zemin katmanından oluşmaktadır. Üst katman dolgu maddesidir ve alt katman ise kumtaşıdır. Yeraltı su seviyesi ise kapsam dışında kalmaktadır. Hesap analizleri için Limit denge yöntemi (LEM) seçilmiştir. LEM hesaplarının bilgisayar yardımıyla hesaplanması daha güvenilir sonuçlar vermektedir. Yazılımlar sayesinde kısa sürede çok sayıda olasılıklar gözden geçirilebilmektedir. Hesaplar önce Talren yazılımı ile geoteknik büro tarafından

hesaplanmıştır. Sonuçlara göre, güvenlik faktörlerinin birbiriyle örtüşmesi, geliştirilecek olan yazılımın ilk evresidir. Yazılım şevlerin stabilitesini araştırarak ve güvenli olup olmadığına karar verir nitelikte olacaktır. İlk evrenin sağlanması durumunda; yazılım daha da geliştirilerek farklı geometri ve toprak parametrelerine sahip şevlerin analizini de hesaplaması sağlanacaktır. Geliştirilen yazılım ile literatürde bulunan farklı geometrilere sahip şev stabilite sonuçları karşılaştırılacak ve güvenlik faktörlerinin yakınlığı irdelenecektir. Yazılımın kullanıcı dostu, güvenilir nitelikte olması neticesinde, kullanıcıların hizmetine sunulması hedeflenmektedir. Daha sonraki aşamalarda ise, güvenli olmayan şevlerin iyileştirilmesine yönelik, özelliklerin eklenmesi düşünülmektedir.

AnahtarKelimeler: Pendik, matlab, geoteknik model, şev stabilitesi, kayma düzlemi, limit denge yöntemi.

1. INTRODUCTION

Looking at the history of the slope, it is seen that many specific and uncertain studies have been done for slope stability. The engineers had to use slopes as a construction site in line with their needs. As a derivative of this, there have been various disasters; earthquake, flood, erosion, etc. and loss of life and property in slopes with instability. Slopes are considered as two different types, natural and debris. Slopes with clay layers can remain stable due to excessive consolidation. However, stability cannot be mentioned because of insufficient consolidation in artificial slopes. In the past, the slope was considered to be statically stable. Later, with scientific researches, it was understood that this was not enough. When added to the calculations in dynamic effects, it has been observed that the stability factor falls below the prescribed limits. In other words, if there is an insufficient interaction than expected in a slope calculation with an earthquake effect, the instability may be impaired when it meets a possible earthquake.

Thanks to the developing technology, earthquakes can now be affected as dynamic loads. At this point, traditional slope stability analysis methods are still appropriate, but there is a new trend in developing and using innovative numerical approaches based on these traditional methods.

2. SLOPE STABILITY ANALYSIS

The basic logic of slope stability analysis is the ratio of soil strength to shear stress (Duncan, 1996). This rate is called the safety factor. So that if the safety factor is greater than 1, the slope is considered safe, and if less than 1, the slope is considered unsafe. Slope stability analyzes were made on a tear circle based on the total stress. Later, slice methods were accepted more towards the mid-1900s. Then, the scope of the slice methods was expanded, and these methods were combined under the name Limit Equilibrium method (LEM). The basis of these methods is the concept of dividing the slope into slices. As a result of the interaction acceptance of the slices, method differences occurred. Recently, the Finite Element Method (FEM) has started to be used. The most significant advantage of these methods is that they use the shear strength reduction method (SSR), which is based on the safety factor is variable. Thus, it is well known in the deformations occurring in the slope. However, deformations cannot be predicted in the LEM method (Griffiths and Lane, 1999).

2.1. Traditional slope stability analysis methods

For the first time, Fellenius compared the sliding surface to a circular cylinder in slope analysis. Successful results were obtained in the first stage. Fellenius published the "Stability

of Slopes" method in Erdstatische Berechnungen (1927), which included the angle of stability and internal friction. Terzaghi, doing various researches in soil mechanics, also contributed to the cornerstones of slope stability. Then, the studies were made on graphical and analytical methods. Frontard and Jaky did the most important of these works. Rendulic, on the other hand, worked on non-circular work of the failure surface.

However, there was still a research gap in slope stability analysis. For example, groundwater and dynamic effects remained unknown. After this stage, the effect of the cross-sectional lateral forces was first noticed by Bishop and Janbu. Moreover, so the slice method was prepared by Bishop as moment balance and by Janbu as force balance. Spencer (1964) realized that the Janbu method was lower than the Bishop method in terms of the safety factor.

Furthermore, he processed the lambda value, which equalizes the force balance and moment balance, thus, increased stability security. Besides, the force interaction function accepted as 1. Morgenstern and Price (1965) continued their research and extended the force interaction function to multiple options. While the theoretical studies progressed towards the result, the missing part was the laboratory studies. Skempton (1964) took significant steps to address this lack.

2.2. Limit equilibrium method (LEM)

It is the most used method of geotechnical engineering for slope stability analysis. The reason is that it gives faster and more insightful results about the failure surface. In this method, the shear stresses are assumed to be on a certain surface. The solution is made by sliding into a sliding mass model or slices. Shear stresses on the fracture surface are safe when less than the shear strength. There are three balance conditions for the solution. Various assumptions are made to reduce this (Krahn, J., 2004). The research was conducted on FEA and LEM comparisons (Hammouri et al., 2008). The study of limit balance method is safe has done by Singh et al. (2008). In general, the limit balance gives successful results for slope stability analysis. On the other hand, the disadvantage is that the shear strength is mobile (Yu et al., 1998).

2.3. Other methods

On the other hand, thanks to developing technology, calculation methods have also changed and developed. These methods, which can only be done with computer software, are quite complicated. The finite element method (FEM) can be calculated by dividing the model into meshes. Besides, the safety factor is found more sensitive by using the shear strength reduction method (SSR). Besides, artificial neural networks (ANN) are similar to a training mechanism. By linking several input parameters to the results, it extracts the relationships and gives results. However, in order to do this, neural networks must be trained with massive datasets (Tolon et al., 2008). Also, it is possible to apply slope stability analysis to forecast the failure and effects of geotechnical parameters on the slope safety factors (Tolon et al., 2010).

3. DEVELOPED MODEL

In this article, the most critical failure surface for fill slopes is determined. Samples from borings in Pendik, Istanbul district were tested in the laboratory. According to these test results, the stability of the slope was investigated. Many different iteration arrangements have done for LEM accounts. These adjustments make it difficult to compare results; however, it brings the result closer to the truth about the safety factor of slopes.

3.1. Soil parameters and geometry

According to the information received from the administration, drilling wells of different lengths ranging from 9.00 m to 18.00 m were drilled in the study area. Drilling samples were taken from some depths. Various tests were carried out in the laboratory to investigate the physical and mechanical properties of the soil. According to the drill, there is a filling layer between 3.00-12.50 m. The following levels are sandstone. Also, there is no groundwater in drilling. In the laboratory experiment model, cohesion values are based on triaxial pressure resistance, and the results are given in Table 1.

Table-1.Laboratory values obtained from drilling values.

Soil plastic analysis parameters (Drained)			
Material Layers	γ_{sat}	c'	ϕ'
	Sat Volume Weight (kN/m ³)	Cohesion (kN/m ²)	Internal Friction Angle (°)
Filler	19	2	24
Sandstone	23	5	32

3.2. Calculation of safety factor

The MATLAB code is written to determine the safety factor for different sliding surfaces. Bishop, Jambu, Spencer, Morgenstern & Price and Winding methods developed with the limit equilibrium method were used. These approaches usually calculate normal stresses and shear stresses along the plane of refraction. The safety factor is the ratio of shear strength to shear stress calculated from Mohr-Coulomb parameters with normalized mobilized stress. This ratio is known as the safety factor. The software can perform many iterations in a short time for the fracture surface. Thus, it can find the closest safety factor to the correct result.

4. FINDINGS AND COMPARISON

The geotechnical office made the first calculations with Talren software. According to the results, the overlap of security factors is the first phase of the software to be developed, which is the condition that will ensure the formation of this article. As can be seen from the analysis, depending on the selected geotechnical parameters, safety factors appeared close to each other. As it is known, the properties of the ground parameters affect the safety factor.

In Figure-1, while the slope stability safety factor calculated by the geotechnical office was 1.04, that where the safety factor calculated with the developed Matlab code was 1.039 (Figure-2). Thus, a difference of 0.1%, which can be counted meaningfully, has emerged. This may be due to iteration assumptions or convergence of slope slices' interaction assumptions. However, the resulting difference remains within acceptable limits.

The input and output modules of the software have been tried to be created as useful and user-friendly (Figure-3). Information entries are short, and calculation steps will proceed automatically within the software. In other words, fewer input options are offered to the user.

MAS INTERNATIONAL EUROPEAN CONFERENCE ON MATHEMATICS-ENGINEERING-NATURAL & MEDICAL SCIENCES-XII

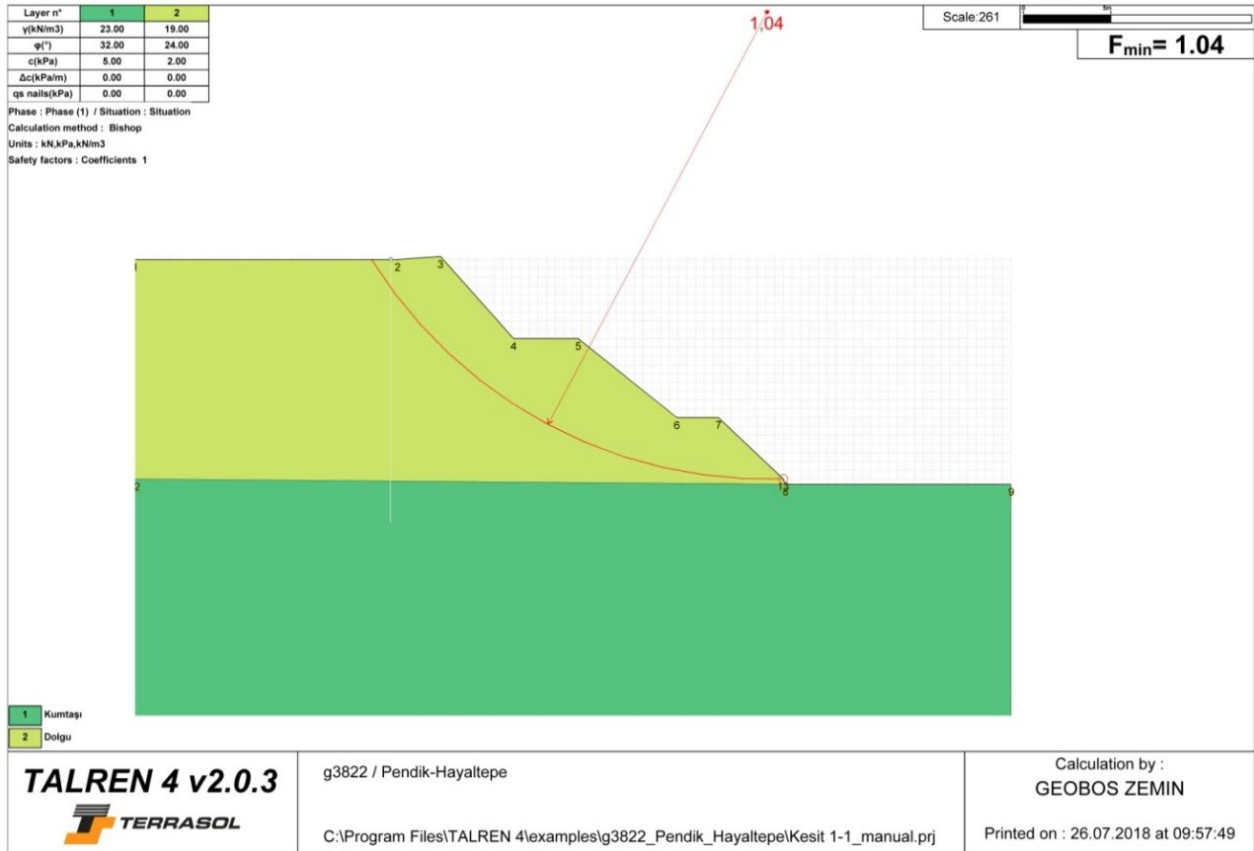


Figure-1. Safety factor calculated by Talren software by the geotechnical office (1.04).

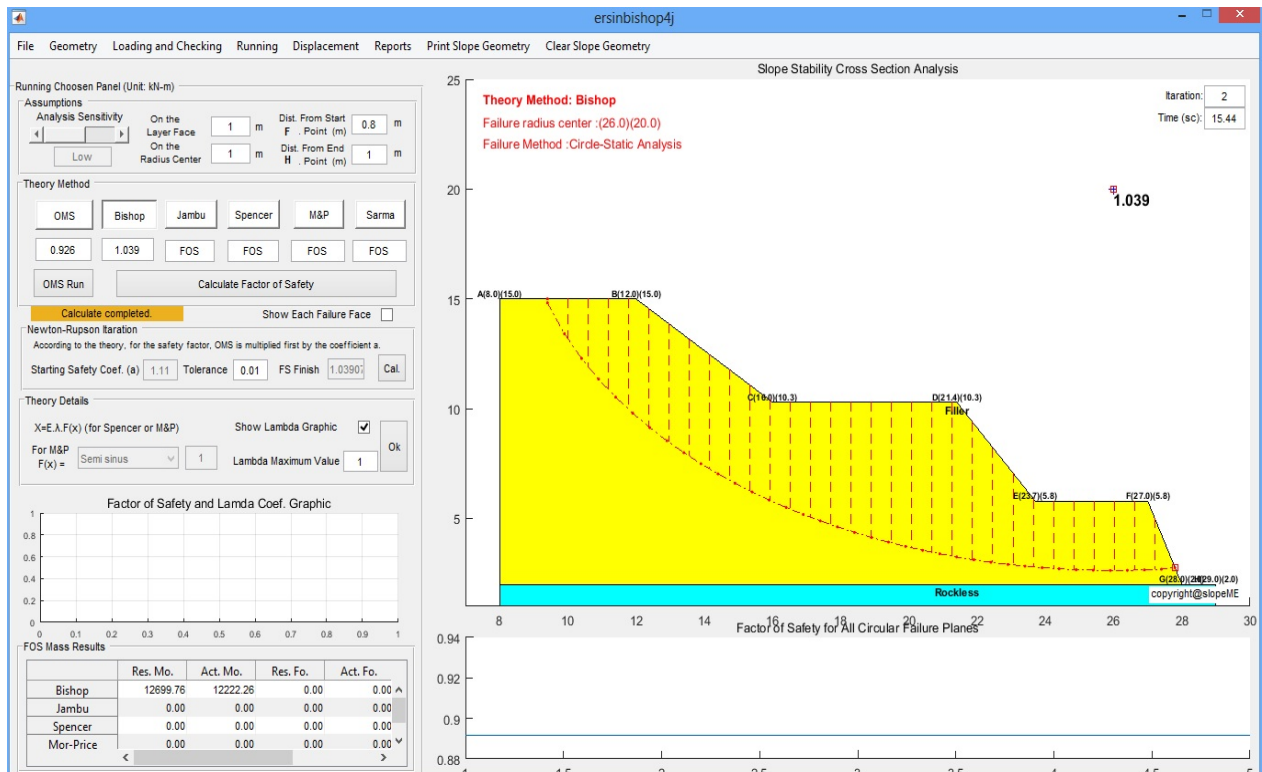


Figure-2. Safety factor calculated with developed Matlab code (1.039).

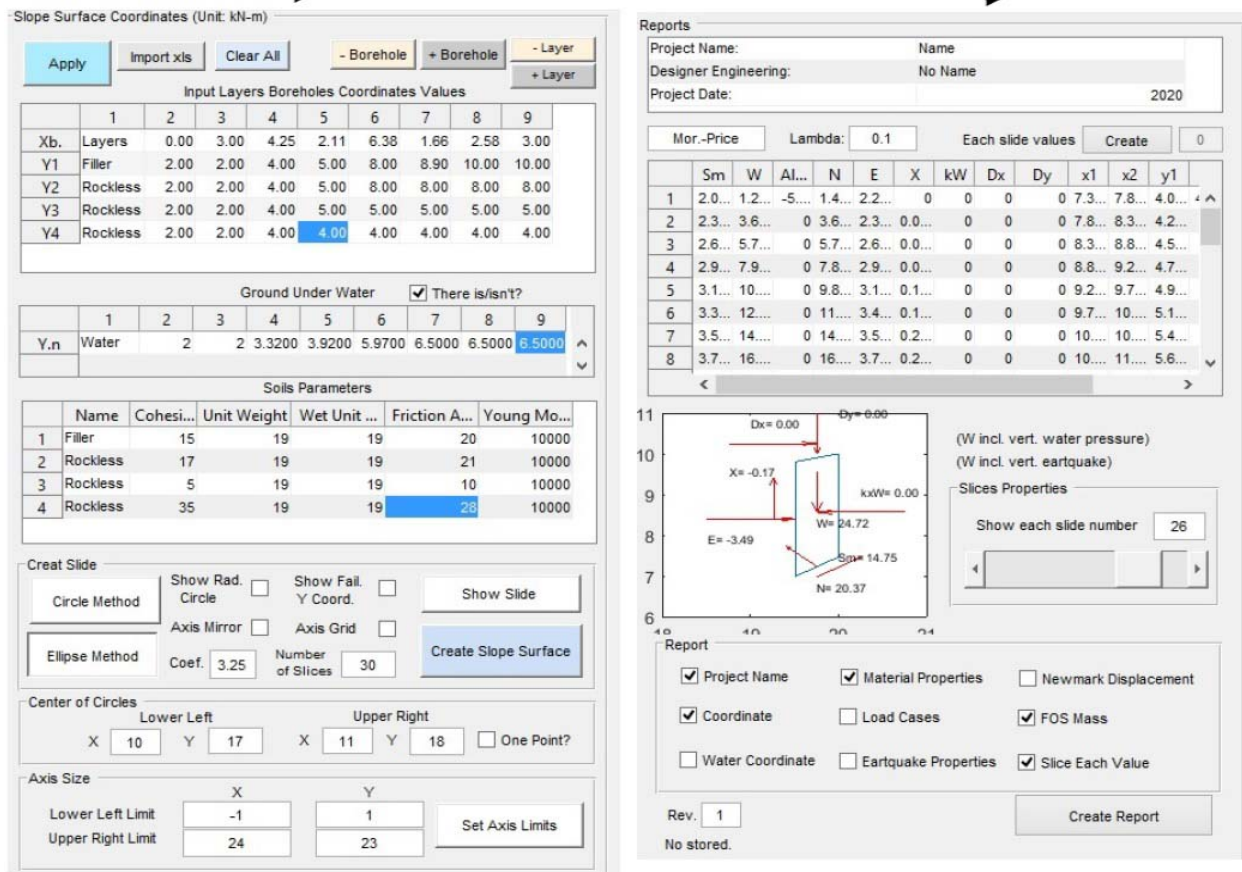


Figure-3. View of input and output modules in the developed Matlab code.

5. DISCUSSION, CONCLUSION AND FUTURE STUDIES

With the Matlab code currently developed, meaningful results can be obtained from static and dynamic analysis in slope stability calculations. Ongoing studies are given to increase the reliability of the developed program and to use it more effectively by engineers when it is put into use. The number of iterations determining the fracture surface will be increased. Accounts will be tried in different soil types. If the groundwater level rises, the impact of the safety factor will be investigated. Slope stability will be checked in case of varying earthquake motions. The model of the solutions will be tested with the 3D Finite Element Analysis methods.

In addition, the reliability of the Matlab code will be compared in water-saturated and different slope geometries. Displacement calculations will be added for situations that provide slope stability. Improvement modules will be added for cases that do not provide slope stability.

When these improvements are applied to the developed software, it will obtain user-friendly software that can be used in academic researches and publications. In the next stages, it is aimed to present the software to the practitioners with the software license.

- [1] Bishop, A.W. (1955). *The Use of the Slip Circle in the Stability Analysis of Slopes*. London, England: Géotechnique 5(1).7-17
- [2] Coduto, D.P. (2006). *Geotechnical Engineering Principles and Applications*. Ankara: GaziKitapEvi.
- [3] Duncan, J.M. (1996). State of art: limit equilibrium and finite-element analysis of slopes. *Journal of Geotechnical Engineering*, Vol. 122, No. 7.577-596
- [4] Fellenius, W. (1927). *Erdstatische Berechnungen mit Reibung and Kohasion*. Berlin: Ernst.
- [5] Hammouri, N.A. & Husein Malkawi & A.I. and Yamin, M.M.A. (2008). *Stability analysis of slopes using the finite element method and limiting equilibrium approach*, *Bulletin of Engineering Geology and the Environment*, 67 (4), 471-478
- [6] Griffiths, D.V., and Lane P.A. (1999). *Slope Stability Analysis by Finite Elements*, *Geotechnique*, Vol. 49, No. 3, pp. 387-403
- [7] Krahn, J. (2004). *Stability modelling with SLOPE/W*. *Geo-Slope International Ltd*. Calgary: Alberta.
- [8] Matlab, <https://en.wikipedia.org/wiki/MATLAB>, accessed July 15, 2020
- [9] Morgenstern, N. R., and Price, V. E. (1965). *The analysis of the stability of general slip surfaces*, *Geotechnique*, Vol. 15, No.1.79-93
- [10] Önalp A. (1983). *İnşaat Mühendislerine Geoteknik Bilgisi 2, 1. Baskı*. Trabzon: K.T.Ü Yayınları.
- [11] Singh, T.N. & Gulati, A. & Dontha, L. et al. (2008). *Evaluating cut slope failure by numerical analysis-a case study*. London: *Nat Hazards* Vol.47, p.263.
- [12] Skempton, A. W. (1964). *Long term stability of clay slopes*. Fourth Rankine Lecture: *Geotechnique* 14(2).
- [13] Spencer, E. (1967). *A Method of Analysis of the Stability of Embankments Assuming Parallel Interslice Forces*, *Géotechnique*, Vol. 17, No. 1.
- [14] TBDY (2018). *Türkiye Bina Deprem Yönetmeliği*. Türkiye: Çevre Şehircilik Bakanlığı.
- [15] Terzaghi, K. (1950). *Mechanisms of landslides, Engineering Geology (Berkey) Volume*. USA: Geological Society of America.
- [16] Tolon, M. (2007). *Artificial Neural Network Approaches For Slope Stability*. İstanbul, İTÜ: Master Thesis.
- [17] Tolon, M. & Serpengüzel D.N. (2008). *Special Publication of Characterization, Monitoring, and Modeling of Geosystems*. American Society of Civil Engineers Geo Congress.
- [18] Tolon, M. & Serpengüzel D.N. (2010). *Advanced Artificial Neural Network Approaches with Applications to System Management*. *International Review on Computers, IRECOS*.
- [19] Yu H. & Salgado R. & Sloan W. & Kim J. (1999). *Limit analysis versus equilibrium for slope stability*. USA: *J. Geotech. Geoenviron. Eng. ASCE* 124-1.1-11

**VIBRATION ANALYSIS OF COMPOSITE SANDWICH SHELL PANEL WITH MR
ELASTOMER CORE**

Rajeshkumar Selvaraj

Mageshwaran Subramani

Manoharan Ramamoorthy

Vellore Institute of Technology, Vellore, Tamil Nadu, India

Abstract

In this study, the free vibration analysis of a composite sandwich shell panel with a magnetorheological elastomer core has been investigated. The sandwich shell is made of magnetorheological elastomer (MRE) as the core layer and laminated composites as the top and bottom face layers. The composite sandwich shell has been modeled using ANSYS finite element software and validated with those of experimental results in terms of natural frequencies. Further, the variations of natural frequencies with the influence of different levels of magnetic fields and ply orientations of the MRE composite sandwich shell are studied. The analysis results demonstrate that the presence of magnetic fields improves the vibration behavior of MRE based sandwich shell panel.

Keywords: Composite shell, MRE core, free vibrations, natural frequencies, finite element method.

**KATI ATIK TOPLAMA YERLERİNİN TAYİNİ İÇİN COĞRAFI BİLGİ
SİSTEMLERİ TABANLI BİR YÖNTEM GELİŞTİRİLMESİ**

Sevin UZER

İzmir Katip Çelebi Üniversitesi

ORCID NO: 0000-0002-0125-1384

Dr. Öğr. Üyesi Sedat YALÇINKAYA

İzmir Katip Çelebi Üniversitesi

ORCID NO: 0000-0003-3062-2698

Özet

Nüfus artışı ve kentleşmenin bir sonucu olarak katı atık yönetimi, özellikle belediyeler için önemli ve karmaşık bir görev haline gelmiştir. Katı atık yönetim sisteminin bir parçası olan konteyner yerleri ve sayılarının belirlenmesi, sistemin performansını ve maliyetini doğrudan etkilemektedir. Bu çalışmada, belediye katı atık toplama yerlerini belirlemek için Coğrafi Bilgi Sistemleri (CBS) tabanlı bir yöntem geliştirilmiştir. Bu yöntemi geliştirmek üzere, İzmir'in Çiğli ilçesi Çağdaş Mahallesi örnek olarak kullanılmıştır.

Çalışma kapsamında öncelikle demografik ve coğrafi veriler üretilmiştir. Bunlardan ilki olan bina verisi, binaların taban alanı, kat sayısı, bağımsız bölüm sayısı, türü (konut veya ticari) ve tipi (konut ise: 2+1, 3+1, vb.; ticari ise işletme faaliyeti) belirlenerek; nüfus verisi ise popülasyon varsayımı şeklinde oluşturulmuştur. Katı atık üretim hızı verisi ise bina bağımsızlarının konut (TÜİK kişi başı atık üretim hızı) ve ticari (işletme faaliyetine göre literatür verisi) olmasına göre iki şekilde hesaplanmıştır.

Katı atık toplama yerleri için tüm potansiyel konumlar belirlendikten sonra, konum tahsisi analizi ile en uygun toplama yerleri tayin edilmiştir. En uygun toplama yerleri maksimum mesafenin en düşük olduğu, toplama yerlerine ortalama yürüme mesafesi ve toplama sıklığına göre her bir toplama yerinde konumlandırılması gereken konteyner sayıları dikkate alınarak model sonuçları arasından belirlenmiştir. Sonuç olarak, katı atık toplama nokta sayısı 38 ile 69 arasında değişen 13 alternatif çözüm belirlenmiştir.

Çalışma kapsamında geliştirilen yöntem katı atık toplama yerlerinin ve konteyner sayılarının tayini için CBS tabanlı bir yöntem sunarak katı atık üreticilerinin toplama yerlerine olan yürüme mesafelerini kısaltırken toplama noktası yerleri sayısını da azaltarak toplama sisteminin de ekonomik olarak daha verimli gerçekleştirilmesine imkan tanımaktadır.

Anahtar Kelimeler: Katı Atık Yönetimi, Katı Atık Toplama, CBS, Belediye Atığı, Katı Atık Toplama Yerleri

**DEVELOPING A GEOGRAPHIC INFORMATION SYSTEM-BASED METHOD FOR
DETERMINATION OF SOLID WASTE COLLECTION POINTS**

Abstract

As a result of population growth and urbanization, solid waste management has become an important and complex task, especially for municipalities. Determination of waste bin locations and numbers, which are part of the solid waste management system, directly affect the performance and cost of the system. In this study, a Geographic Information Systems (GIS)

based method was developed to determine municipal solid waste collection points. The method was tested in a neighborhood in Çiğli, Izmir.

The first step is to produce demographic and geographical data such as; the building geometries, floor areas, the number of floors, the number of units, the kind (residential or commercial) and the type (if the residential is: 2 + 1, 3 + 1, etc .; commercial activity if commercial). The solid waste production rate data was calculated in two ways according to whether the building unit was residential (waste rate per capita, TUIK) and commercial (literature data according to the commercial activity).

After determining all potential locations for solid waste collection points, the most suitable collection points were determined by location allocation analysis. The most suitable collection points were determined among the location allocation model results by taking into consideration the maximum distance to the collection points, the average walking distance to the collection points and the number of waste bins needed at each collection point according to the collection frequency. As a result, 13 alternative solutions were identified, ranging from 38 to 69 solid waste collection points.

The method developed in this study provides a GIS-based approach for the determination of solid waste collection points and waste bin numbers. This method can help shortening the walking distances of solid waste producers to the collection points, and also reducing the number of collection points, making the collection system economically more efficient.

Keywords: Solid Waste Management, Solid Waste Collection, GIS, Municipal Waste, Waste Collection Point Locations

**TERS MESAFE AĞIRLIKLI ENTERPOLASYON YÖNTEMİ (IDW)
KULLANILARAK TÜRKİYE SICAKLIK VE YAĞIŞ HARİTALARININ
OLUŞTURULMASI VE ULUSAL COĞRAFI BİLGİ PLATFORMUNA
ENTEGRASYONU**

Arş. Gör. Mustafa CEYLAN

Gümüşhane Üniversitesi

ORCID No: 0000-0002-8146-3925

Özet

İklim bilimi manasına gelen klimatoloji; hem geçmiş, hem günümüz, hem de gelecekteki hava koşullarını anlamaya çalışmaktadır. Bu sebeple çok çeşitli veri kaynaklarından yararlanmakta ve çeşitli analizler gerçekleştirerek sonuçlara ulaşmaktadır. Geçmişe ilişkin veriler ağaç halkası, sediman gibi kaynaklardan elde edilebiliyorken, günümüze ilişkin veriler ise meteoroloji istasyonlarından alınan ölçümlerden elde edilmektedir. Geleceğe ilişkin veriler ancak belli senaryolara ve hata oranlarına göre oluşturulan öngörü ve modellemelere dayalı olarak ortaya çıkarılmaktadır.

Güncel iklim verileri üretimi, her ülkede meteorolojik gözlemleri gerçekleştirmek, değerlendirmek, farklı sektörler için hava tahminlerinde bulunmak ve meteorolojik bilgi desteği sağlamak amacıyla kurulmuş kurumlar tarafından sağlanmaktadır. Bunun yanı sıra üniversiteler, çevre kuruluşları ve araştırma enstitüleri de hava ile ilgili ölçümler gerçekleştirmekte ve bunları kayıt altına almaktadır. İklim çalışmalarında elde edilen bu veriler kullanılmakta ve bu verilerin haritalanması, kullanıcının basit şekilde yorumlayabilmesinin önünü açmakta ve işini kolaylaştırmaktadır.

Bu çalışmada; Türkiye yıllık ortalama sıcaklık haritası ve aylık ortalama yağış haritası oluşturulmuştur. İlk olarak; illere ait alansal sınır verisi ve noktasal il merkezleri verisi elde edilmiştir. Daha sonra; noktasal il merkezleri verisinde bulunan bütün merkezler, istasyon noktası olarak kabul edilmiş ve Meteoroloji Genel Müdürlüğü'nden (MGM) elde edilen yıllık ortalama sıcaklık ($^{\circ}\text{C}$) ve aylık toplam yağış miktarı ortalaması (kg/m^2) verileri, bütün iller için bu istasyon noktalarına işlenmiştir. Ardından; bir CBS yazılımı olan ArcGIS yazılımında, bir enterpolasyon yöntemi olan ters mesafe ağırlıklı enterpolasyon yöntemi (IDW) kullanılarak söz konusu haritalar oluşturulmuştur. Bu haritalar, Türkiye Cumhuriyeti Çevre ve Şehircilik Bakanlığı bünyesinde bulunan Coğrafi Bilgi Sistemleri Genel Müdürlüğü tarafından kayda değer bulunmuş ve web harita servisi (WMS) aracılığıyla kullanıcılara sunulmuştur. İlerleyen zamanlarda bu haritalar, Ulusal Coğrafi Bilgi Platformuna metaveri olarak entegre edilecek ve belirli şartlar dahilinde kullanıcıların kullanımına sunulacaktır.

Anahtar Kelimeler: Enterpolasyon, Sıcaklık Haritası, Ulusal Coğrafi Bilgi Platformu

CREATING TEMPERATURE AND RAINFALL MAPS OF TURKEY USING INVERSE
DISTANCE WEIGHTED (IDW) INTERPOLATION METHOD AND INTEGRATION TO
NATIONAL GEOGRAPHIC INFORMATION PLATFORM

Abstract

MAS INTERNATIONAL EUROPEAN CONFERENCE ON MATHEMATICS-ENGINEERING-NATURAL & MEDICAL SCIENCES-XII

Climatology that means climate science tries to understand the weather conditions of both past, present and future. For this reason, it makes use of a wide variety of data sources and reaches results by performing various analyzes. While archaic data can be obtained from sources such as tree rings and sediment, current data is obtained from measurements taken from meteorological stations. Future data are only revealed based on predictions and modeling based on specific scenarios and error rates.

Production of current climate data is provided by established institutions to perform and evaluate meteorological observations in each country, make weather forecasts for different sectors and provide meteorological information support. In addition; universities, environmental organizations and research institutes also perform and record aerial measurements. In climate studies; these data are used and mapping of these data paves the way for the user to interpret in a simple way and make one's work easier.

In this study; the average annual temperature map and average monthly rainfall map of Turkey was created. Firstly; areal boundary data of provinces and point city centers data were obtained. Later; all centers in point city centers data have been accepted as station points and the average annual temperature ($^{\circ}\text{C}$) and average of total monthly precipitation (kg / m^2) data obtained from the Turkish State Meteorological Service (MGM) are processed in these station points for all provinces. Then; these maps were created by using inverse distance weighted (IDW) interpolation method which is an interpolation method in ArcGIS software that is a GIS software. These maps have been significant by the Geographic Information Systems General Directorate in Turkish Republic Ministry of Environment and Urbanization and has been presented to the users through web map services (WMS). Later on, these maps will be integrated into the National Geographic Information Platform as metadata and made available to users under certain conditions.

Keywords: Interpolation, Temperature Map, National Geographic Information Platform

**TEK GİRİŞ ÇİFT ÇIKIŞLI T BORU SİSTEMİ İÇERİSİNDE AKIŞKANIN ISI
TRANSFERİNİN ARAŞTIRILMASI**

Nuri Yönet

Naime Filiz Özdil

Adana Alparslan Türkeş Bilim ve Teknoloji Üniversitesi

Özet

Bir boru içinde hareket halinde olan akışkanın sahip olduğu ısı enerjisi zamana bağlı olarak değişiklik gösterebilir. Bu değişimler çevre şartlarıyla birlikte, akışkanın sürtünme katsayısı, viskozitesi, akış hızı, akış alanı cidar kalınlığı gibi birçok faktöre bağlı olabilir. Akışkanın davranışının izlenerek uygulamalı çalışmalar öncesi akış davranışı inceleyebilmek için akış analizleri analiz programlarında modellenerek simülasyonda görselleştirilmektedir. Çalışmamıza konu olan akışkan, bir noktadan belirli bir hız ve sıcaklık değeri ile akışına başlamış ve iki ayrı noktadan çıkış sergileyerek ısı dengesindeki farklılığı analiz programı çıktısı olarak çalışmamızın sonucunu oluşturmuştur. Çalışmamızda, yaygın olarak kullanılan enerji kaynağı olan petrol türevlerinden motorin ürünü baz alınarak analiz yapılmıştır. Bir boru hattı ile taşınan ürünün boru hattı içerisindeki ısı transferi davranışı termodinamik veriler ile incelenmiştir. Çalışma sonuçlarımız grafiksel olarak sonuç bölümünde sunulmuş olup çalışma sonuçları yorum kısmında derlenmiştir. Çalışmamızda CFD (Computational Fluid Dynamics) metodu ile Ansys programı kullanılarak analiz yapılmıştır.

Anahtar Kelimeler: Isı Transferi, Isıl denge, Termodinamik, Akışkanlar Mekaniği, Hesaplamalı Akışkanlar Dinamiği, Akış Hızı, Akış Sıcaklığı

**INVESTIGATION OF FLUID HEAT TRANSFER IN SINGLE INLET DOUBLE OUTLET
T PIPE SYSTEM**

Abstract

The heat energy of the fluid moving in a pipe may vary depending on the time. These changes, depending on environmental conditions, may be due to many factors such as the friction coefficient, viscosity, flow velocity, wall thickness of the fluid field. Flow analyzes are modeled in analysis programs and visualized in simulation in order to analyze the flow behavior before the applied studies by monitoring the fluid behavior. The fluid that is the subject of our study started to flow with a certain velocity and temperature value from one point and formed the result of our study as the output of the analysis program by exhibiting output from two different points. In our study, analysis was made based on diesel product from petroleum derivatives, which is a widely used energy source. The heat transfer behavior of the product carried by a pipeline within the pipeline was investigated with thermodynamic data. Our study results are presented graphically in the results section and the study results are compiled in the comments section. In our study, analysis was made by using Ansys program with CFD (Computational Fluid Dynamics) method.

Keywords: Heat Transfer, Heat balance, Thermodynamics, Fluid Mechanics, Computational Fluid Dynamics, Flow Rate, Flow Temperature

1. INTRODUCTION

Heat transfer is the study of the transfer of energy that occurs between two or more different objects, by conduction, convection or radiation (or by combinations of these paths). Mathematical modeling of this transfer is the main subject of the heat transfer course. It is related to thermodynamics, fluid mechanics and material. Convection Heat Transfer mainly results from the movement of molecules in masses. The fluid in motion between the surfaces at two different temperatures provides heat transfer during this movement. Conduction Heat Transfer takes place in a stagnant environment, thanks to the vibrations in the cage structure of the molecules in contact with each other, the heat is carried to the next molecule. In Radiative Heat Transfer, an environment is not required for heat transfer. It is possible to say that there is heat transfer by radiation as long as there is a temperature difference between the surfaces that see each other.

Either fully developed velocity profile or uniform velocity profile is generally accepted in the solution of in-pipe laminar flow heat transfer problems. The velocity profile develops faster than the temperature profile. In this case, it can be said that the solution made by accepting the velocity profile uniform will not constitute a significant error [1,2].

Combined heat transfer in in-pipe flows are problems that address wall conduction and transport between wall and fluid together. In thin-walled pipes, it can be assumed that the boundary condition at the wall-fluid interface is equal to that of the outer surface and hence is known in advance [3].

Science that deals with the relationship between thermodynamic heat, work, temperature and energy. In simple terms, thermodynamics is concerned with the transfer of energy from one place to another and from one form to another. The key concept in this process is that heat is a form of energy that corresponds to a particular mechanical task [4].

The most used in thermodynamic studies and their icons are:

Mechanical variables:

Pressure: P

Volume: V

Statistical variables:

Temperature: T

Entropy (irregularity): S

Thermodynamic laws can also be explained as follows;

Zeroth Law:

If the A and B systems are in thermal equilibrium with each other, a C system in thermal equilibrium with the A system is in the thermal equilibrium with the B system. This equilibrium state is defined as temperature. That is, each temperature represents a different equilibrium state. This situation:

It is formulated as $T_A = T_B = T_C$.

The first law of thermodynamics is also known as "conservation of energy". According to this law: The amount of change in the internal energy of a system is equal to the difference

between the amount of heat added to that system and the work that the system applies to its environment. This is shown as follows:

$$U_2 - U_1 = Q - W$$

Energy cannot be created from nothing, and cannot be destroyed, it only turns from one form to another. For any cycle of a system, heat exchange and business exchange must be proportional to each other in different unit systems in the same unit system. The accuracy of these statements has been observed with the experiments, but it cannot be proved. All these expressions can be expressed much more mathematically.

In the formulas below

Q = net heat exchange throughout the cycle

W = net business exchange throughout the cycle shows.

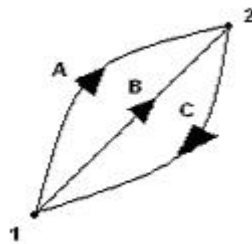


Figure 1. Heat Exchange Cycle

Now, in this way, any two states of the system can be seen, namely points 1 and 2. Let the state changes be provided with lines A, B, C. Arrow directions are the directions where there will be state changes. Now, state changes 1A2 and 1B2, 2C1 is the state to return to its original state.

Since 1A2 and 1B2 are any two state changes between the same states, it can be said that Q - W expression is independent for all state changes between points 1-2. The difference between them is the point function and the full differential. This is a system-specific feature, which is the energy of the system and is represented by E (E = Q-W).

Q₁₋₂: Heat exchange in system change of state

W₁₋₂: Business exchange in system change of state

E₁: The system's initial energy and

E₂: Final energy of the system

to be;

$$Q_{1-2} - W_{1-2} = E_2 - E_1$$

take out the formula. In thermodynamics, energy can be divided into internal energy depending on the structure of the substance and kinetic energy (EK) and potential energy (EP), which depend on the coordinate axes;

$$E = U + EK + EP$$

The energy of the system in any state change;

$$Q_{1-2} - W_{1-2} = E_2 - E_1 = (U_2 - U_1) + (1/2) m (V_2^2 - V_1^2) + m g (h_2 - h_1)$$

U: internal energy

m: mass

V: speed

g: gravitational acceleration

h: height

The second law of thermodynamics is as follows:

Heat cannot flow instantly from a cold zone to a hot zone; that is, heat at a given temperature cannot completely turn into work.

The third law is as follows:

As the temperature approaches absolute zero, the entropy of a perfect crystal of a most stationary element approaches zero [5].

2. MATERIALS AND METHODS

In our study, analysis was made based on a T-shaped pipeline. Fluid entering from one point is directed to two different outputs. The heat of the product, whose initial temperature is about 370K, has been observed during the flow and heat distributions. Model design created with Ansys program and other stages of design are given below. Pipeline wall thickness is chosen as 4 mm.

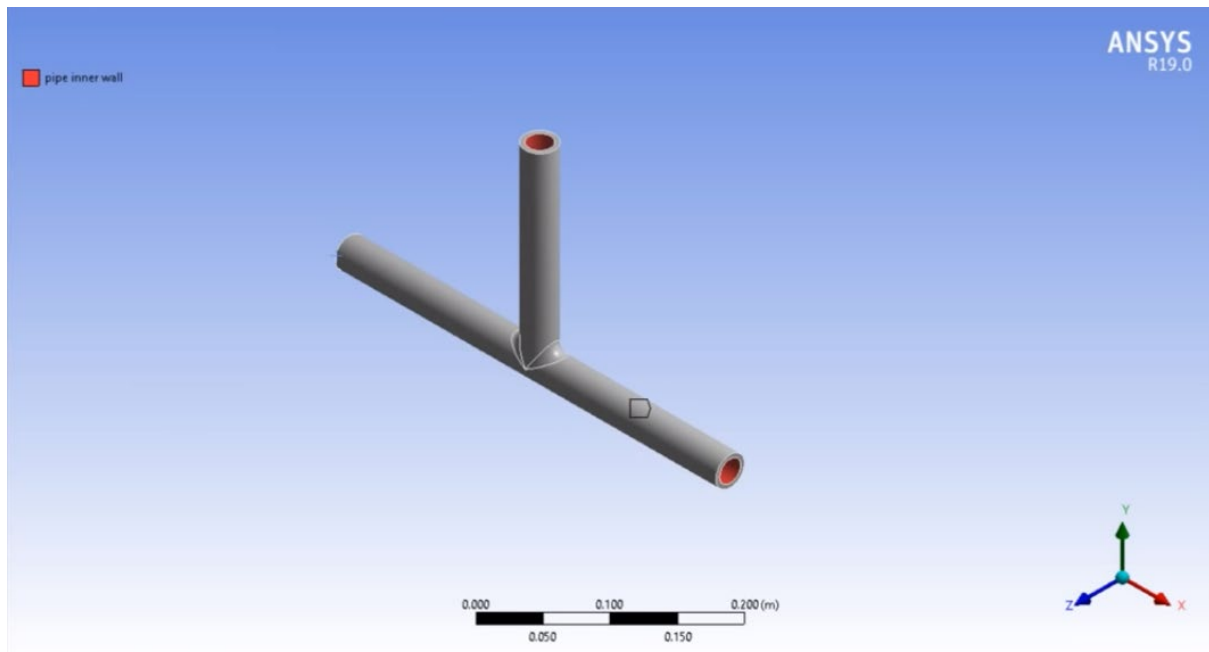


Figure 2. Pipeline Model Drawing

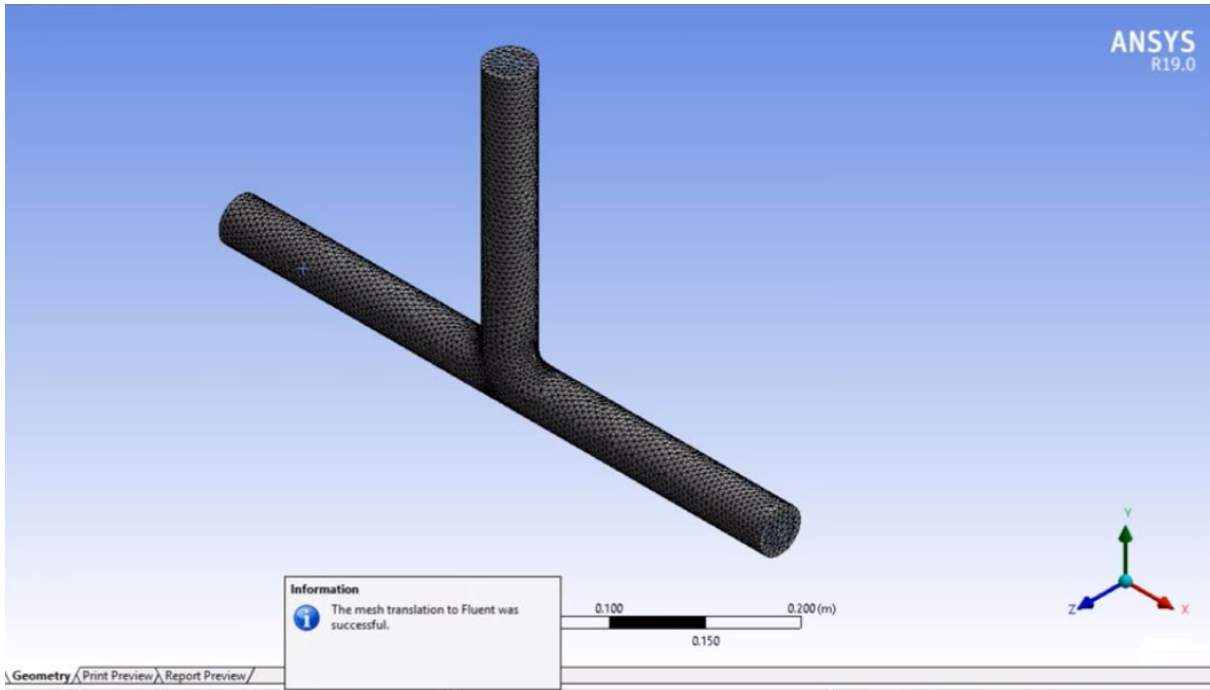


Figure 3. Pipeline Meshing

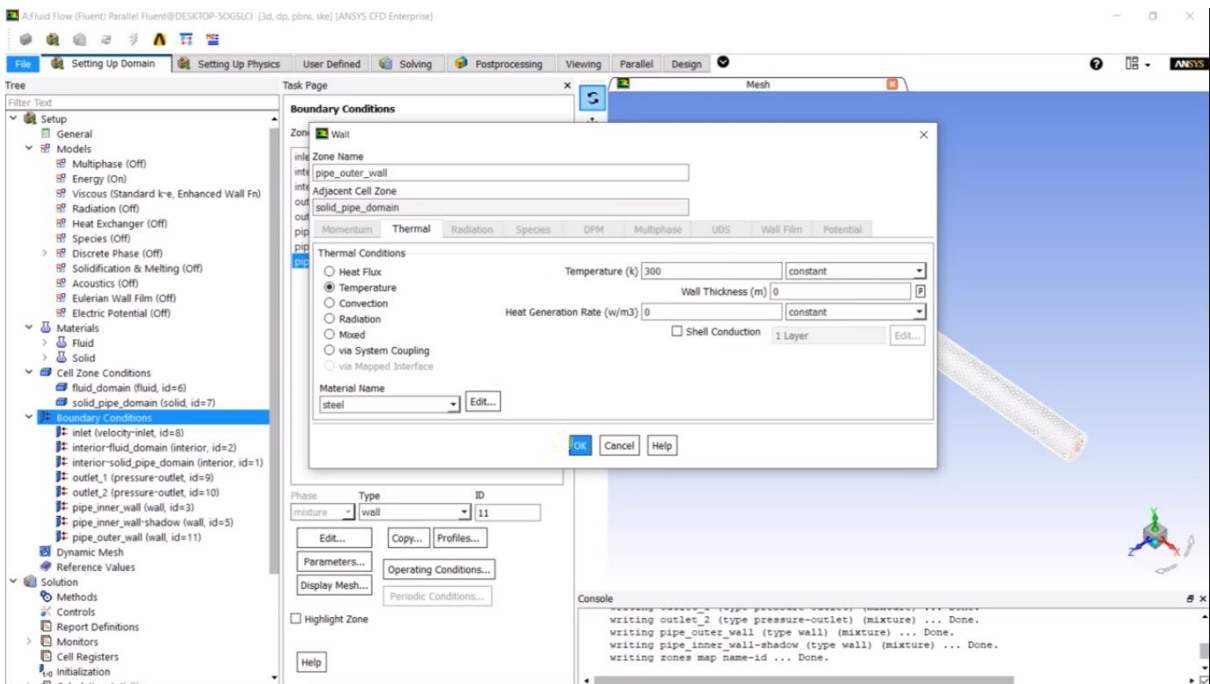


Figure 4. Pipeline Temperature Determination

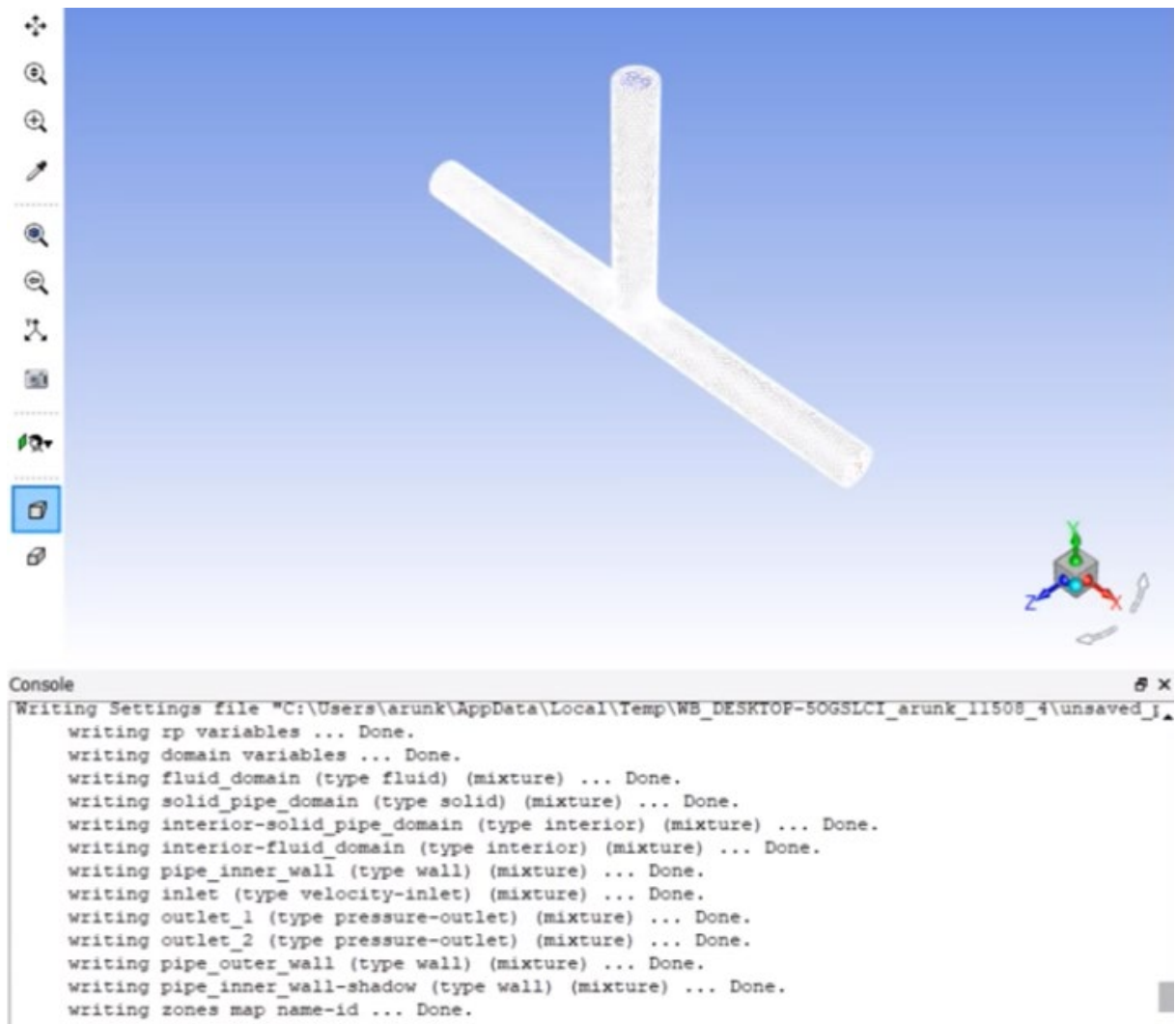


Figure 5. Pipeline Analyses Calculation

3. RESULTS AND DISCUSSION

As a result of our analysis, the distribution of flow rates and the heat distributions of the fluid in the pipeline are given below graphically. The behavior of the fluid changing in different directions depending on the simulation steps is given in Figure 6. In addition, the energy change of the analysis is presented on the same graph.

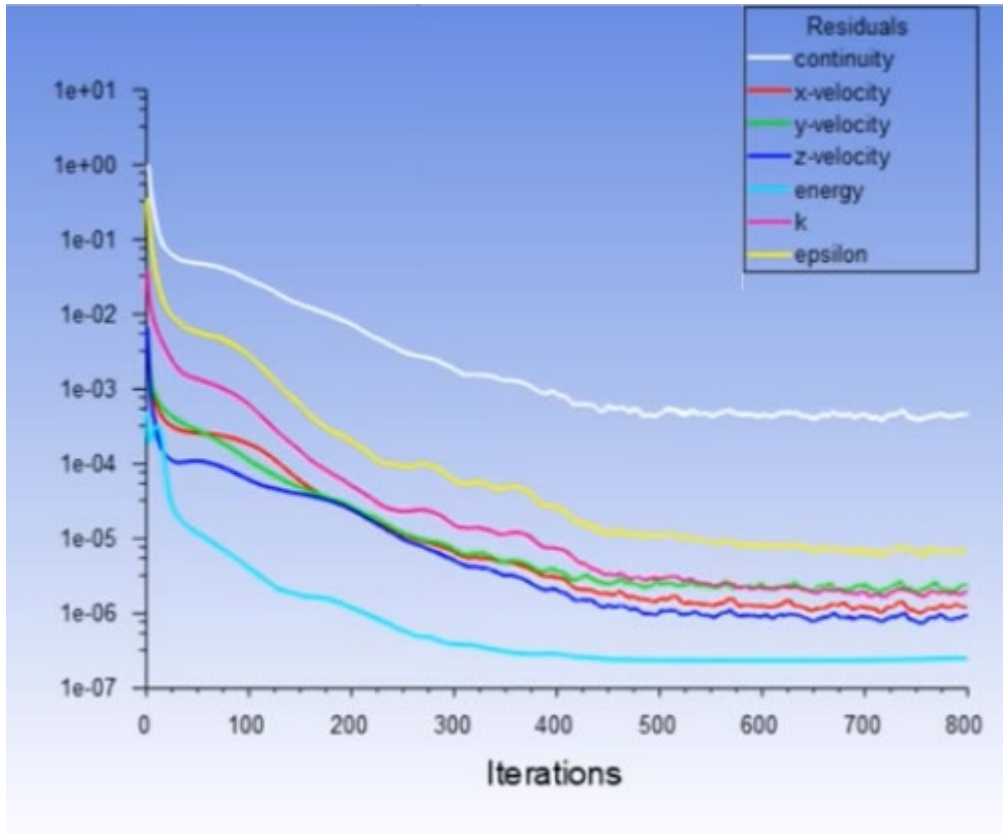


Figure 6. Energy And Speed Distribution

With the evaluation of the study result, the flow of fluid at about 370 K was started in the pipeline. During the continuation and end of the flow, the temperature of the fluid varied between 300 K and 370 K at different points of the pipeline. Fluid flow type started as laminar. Due to the design of the pipeline, its movement at the T-connection partially changed to turbulent flow, but then continued as a laminar flow. The result of the heat exchange analysis obtained is given in Figure 7 below.

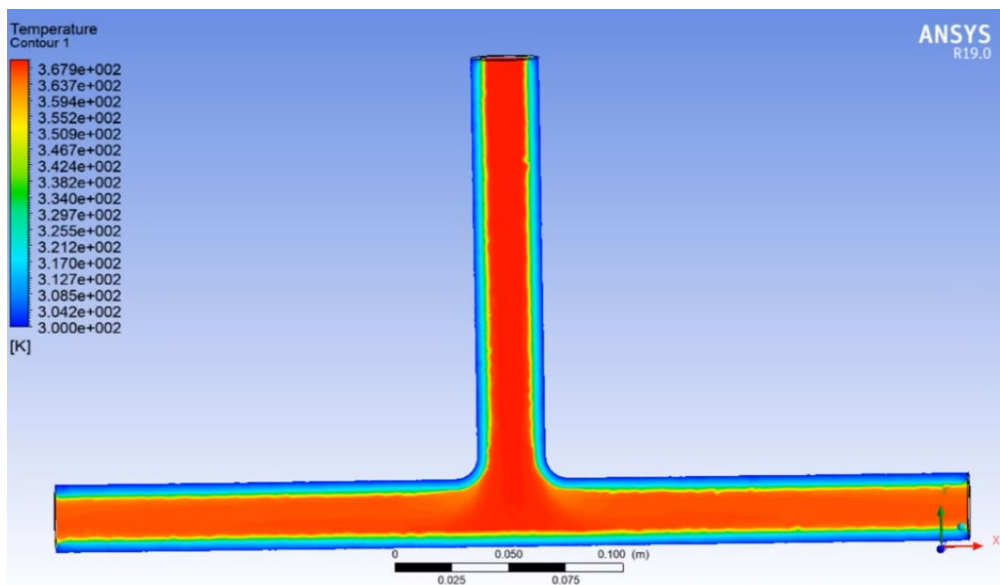


Figure 7. Fluid Temperature Distribution

The velocity of the fluid started with a speed of 0.5 m/s, it decreased to a speed of 0.227 m/s at the T connection point of the pipeline and after the rotation of the fluid, it continued its fluid movement with an average velocity of 0,276 m/s (Figure 8).

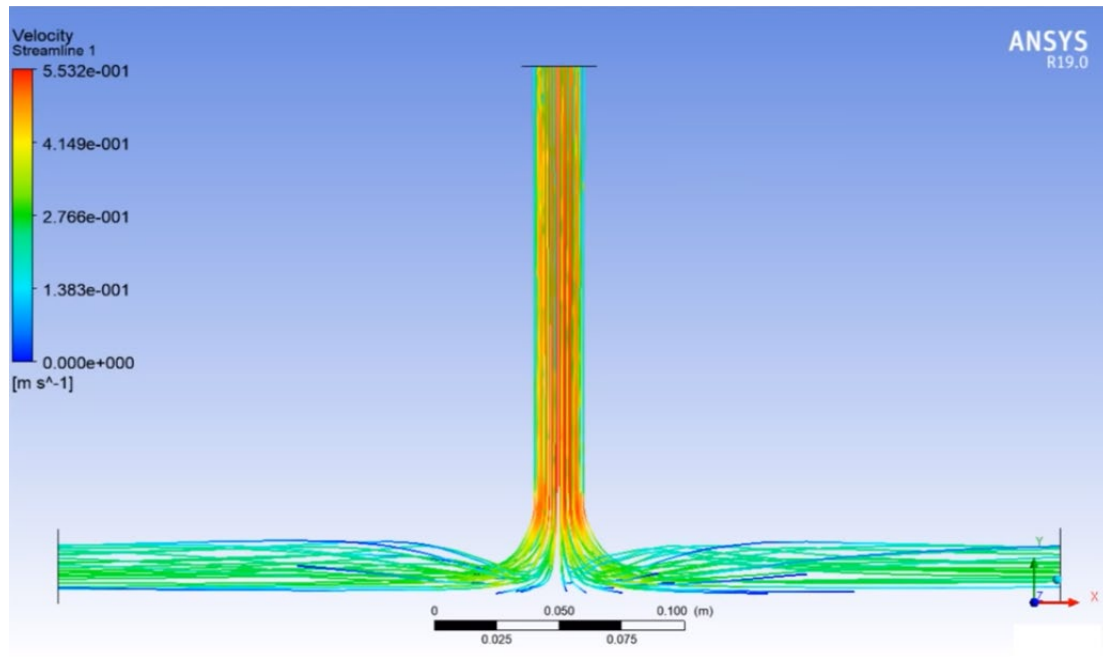


Figure 8. Fluid Speed Chang

4. CONCLUSION

According to the study results, it has been observed that the fluid does not change much unless the heat exchange is interfered with an external heat source. On the other hand, it was concluded that there could be a heat change depending on the wall thickness and wall temperature. The change in the velocity of the fluid has been observed at different points depending on the pipeline design shapes and it has been noticed that the flow types can also change depending on the design. It was noticed that the wall thickness (4 mm) selected for the pipeline subject to the study could maintain a temperature value of 370K.

REFERENCES

- [1] Kays WM. Numerical solutions for laminar-flow heat transfer in circular tubes. Trans. ASME 1955; 77: 1265-1274.
- [2] McMordie RK, Emery AF. A numerical solution for laminar-flow heat transfer in circular tubes with axial conduction and developing thermal and velocity fields. Journal of Heat Transfer Trans. ASME 1967; 89(1): 11-16.
- [3] Darıcı S., Ateş A., Bilir Ş., Kalın Cidarlı Üniform Akışlı Bir Boruda, Isıl Giriş Bölgesi Geçici Rejim Birleşik Isı Transferi, Journal of Selcuk-Technic Cilt 7, Sayı:2-2008 Volume 7, Number:2-2008
- [4] "Thermodynamics" (HTML) (in English). Britannica. It was archived from its source on April 29, 2015. Retrieved 20.06.2020.
- [5] <https://tr.wikipedia.org/wiki/Termodinamik>, Retrieved 20.06.2020

**MOTORİN VE AKARYAKIT İŞARETLEYİCİ ÜRÜNÜN MİKSERSİZ BORU
HATTINDA VE TANK İÇERİSİNDE KARIŞIMININ İNCELENMESİ**

Nuri Yönet

Naime Filiz Özdil

Adana Alparslan Türkeş Bilim ve Teknoloji Üniversitesi

Özet

Bir iç akış olarak hareket eden daimi sıkıştırılmaz akışkanlar boru hattı gibi kontrol hacmine sahip farklı alanlarda farklı davranışlar sergiler. Akışkanların davranışları akış içerisindeki hızı, debisi, yoğunluğu ve iç akış alanı gibi faktöre göre değişiklik gösterir. Akışkanların laminar veya türbülanslı akış çeşitleri de akışın davranışını belirleyen önemli bir faktördür. Kontrol hacmi içerisinde farklı özelliklere sahip birden fazla akışkan bir biri ile karışarak yeni davranışlar ortaya koyarlar. Akışkan davranışlarının önemli sorunlarını sayısal veri ve algoritmalar ile bilgisayar ortamında analiz etmede Hesaplamalı Akışkanlar Dinamiği (HAD) veya Computational Fluid Dynamics (CFD) esas alınarak deneysel çalışma öncesi analizler yapılabilmektedir. Bu çalışmada bir boru hattı içerisinde transfer edilen motorin(diesel) yakıtının ulusal piyasada tanınır hale getirmek için dâhil edilen katkı maddesi ile karışımı sonucu boru hattı ve tank içerisindeki hız, yoğunluk, akış yönü ve yoğunluk farkından kaynaklı konumlanmaları CFD yöntemi ile analiz edilmiştir. Katkı maddesinin hatta giriş hızı iki katına çıkarılarak tekrar CFD analizi yapılmıştır. Analiz sonuçları tablo ve grafik haline getirilerek sonuç bölümünde sunulmuştur. Çalışma sonucuna göre katkı maddesinin hızının artırılması ve karıştırıcıya sahip tankların kullanılması ulusal piyasada her koşulda ürünlerin tanınırlığını kolaylaştıracaktır. Ortalama 0,215 m / s hız ile devam eden dizel ürünün hızı, ikinci ürün işaretçisi ile karıştırma işleminin başlamasıyla 0,287 m / s hıza ulaşmıştır. Analiz, her iki ürünün de herhangi bir etkiye maruz kalmadan karışmasını bekleyerek yapılmıştır. 830 kg / m³ ve 930 kg / m³ yoğunluğa sahip iki akışkan boru hattı boru hatları ile aktarılmış ve karışımları hat içinde ve boyunca sağlanmıştır.

Anahtar Kelimeler: Akışkanlar Mekaniği, Hesaplamalı Akışkanlar Dinamiği, Akışkan Karışımı, Yoğunluk Farkı, Akış Hızı,

**INVESTIGATION OF THE MIXTURE OF DIESEL AND FUEL MARKER PRODUCTS
IN THE PIPELINE AND IN TANK WITHOUT MIXER**

Abstract

Permanent incompressible fluids acting as an internal flow behave differently in different areas with control volume, such as pipelines. Fluid behavior varies according to the factors such as velocity, flow rate, density and internal flow area in the flow. Laminar or turbulent flow types of fluids are also an important factor that determines the behavior of the flow. In the control volume, multiple fluids with different properties mix with each other and produce new behaviors. Experimental analysis can be done based on Computational Fluid Dynamics (CFD) in analyzing the important problems of fluid behavior in computer environment with numerical data and algorithms. In this study, the position of the fuel, which is transferred in a pipeline, with the additive added to make it known in the national market, has been analyzed by CFD method due to the difference in speed, density, flow direction and density in the pipeline and

tank. CFD analysis was done again by doubling the entry speed of the additive. The results of the analysis are tabulated and presented in the results section. According to the results of the study, increasing the speed of the additive and the use of tanks with agitators will facilitate the recognition of the products in all conditions in the national market. The speed of the diesel product, which continues with the average speed of 0,215 m / s, has reached a speed of 0,287 m / s with the start of mixing with the second product pointer. Analysis was made by waiting for both products to mix without being exposed to any effect. Two fluid pipelines with a density of 830 kg / m³ and 930 kg / m³ were transferred by pipelines and their mixtures were provided in and along the line.

Keywords: Fluid Mechanics, Computational Fluid Dynamics, Fluid Mixing, Density Difference, Flow Rate,

1.INTRODUCTION

Fluid mechanics is the science that deals with the behavior of fluids (fluid statics) and in motion (fluid dynamics) and the interaction of fluids with other fluids and solids at the boundaries [1]. The specific mass, density, velocity and flow types of fluids are properties that give information about the fluid. The specific mass of a liquid is the mass of its unit volume. The specific mass of a fluid is obtained by its ratio to the volume of the fluid's mass.

$$\rho = m/V \quad (1)$$

Density; It is the ratio of the specific mass of the liquid at +4 ° C to the specific mass of water.

$$d = \rho / \rho_{su} \quad (2)$$

If the density is less than one, the liquid is lighter than water, and if it is more than one, it means the liquid is heavier than water. The density of water is one. There are two different streams in liquid fluids depending on the change of their position relative to each other. These are Laminar and Turbulent flows. In laminar flow, liquid flows in layers and these layers with speed differences move by sliding on each other without mixing. This stream is a feature of viscous liquids. In nature, these flows are observed in groundwater. Laminar flow is the current in capillary pipes. Turbulent flow is an irregular flow. Fluid particles do not have a specific frequency and a specific traceable trajectory. Orbit is very complex.

In order to distinguish these two currents and compare the currents, Osborne Reynolds developed a formula in 1883. This calculated value is a unit less size which depends on the flow rate, pipe diameter and viscosity of the liquid. This number is known as the Reynolds number referred to by the researcher.

$$Re = \frac{V_{ort} \cdot D}{\nu} \quad (3)$$

Here;

V_{ort}- average flow rate (m/s)

D – pipe diameter (m)

ν - kinematic viscosity (m²/s)

The critical Re number in circular pipes with shiny inner surface is 2320. Re flows larger than this value, turbulence, small flows are considered Laminar. If Re > 2320 is turbulent flow Re < 2320 is laminar flow.

The critical Re number in free surface currents is 580. If $Re > 580$, the turbulent flow is laminar flow if $Re < 580$ [2].

In the study, mixture flow analysis was carried out for the product with the chemical formula known as diesel fuel C₁₆H₂₉, which is used as an additive with the name of fuel and pointer and whose formula is controlled by the state. In the tanks that do not have a mixer, the mixtures of the two products were analyzed in the result section by analyzing the mixes after transfer.

Mattarelli E. and colleagues performed CFD analysis for diesel / natural gas mixed dual fuel combustion in an internal combustion engine. In their studies, they examined the effects of the right mixture on emission values. As a result of the study, although there was a serious decrease in the CO and CO₂ ratio, they also observed NO increase [3].

In the studies titled "CFD analysis of biodiesel blends and combustion using ansys fluent", Dixit S. et al. B5 biodiesel and B20 biodiesel blend ratios were analyzed at a temperature ranging from 2100 K to 1100 K.

In the results, a suitable mixing ratio has been determined for biodiesel, which has the maximum efficiency and minimum emission [4].

Sepehr Khajeh Naeeni and Leila Pakzad conducted an experimental and numerical research study on mixing diluted oil in water dispersions in a tank. In this study, the hydrodynamic characteristics of diluted oil-water dispersions in a mixed tank, the effects of the oil type and volume fraction were investigated. As a result, an increase in oil phase viscosity and a decrease in the interfacial tension between the two immiscible liquids and an increase in droplet deformation rate were also observed [5].

Markov V.A. et al. showed the possibility of improving the combination of diesel fuel and corn oil by optimizing the exhaust toxicity properties in use as fuel for automobile diesel engines. Optimization calculations were made and the optimal composition of the biofuel mixture was calculated [6].

2. MATERIAL AND METHODS

Simulation-based analysis methods, developed with analytical and numerical studies, are an important method leading experimental study in determining the behavior and properties of fluids. The computational flow dynamics method used in fluid mechanics has been adopted by many software programs, providing simulation and accurate analysis results. In support of our study, simulation and analysis program Ansys Fluent was used. The system design was created by scaling 1/1000. There are two products subject to our study. The first is the product called diesel (diesel or gasoil). The second is the additive used in fuel nationalization. Flow type was determined for both products with different densities. The Reynolds numbers of the fluids are calculated in Table 1 below.

Table 1. Calculation of the Re Number According to the Properties of Fluids

	<i>Vort</i> (m/s)	D (m)	ρ (kg/m ³)	ν (m ² /s)	μ (Ns/m ²)	Re
Diesel	0,202	0,0254	830	0,0003	0,249	17,103
Pointer	0,202	0,0127	930	0,0003	0,279	8,551

According to the calculated Reynolds number, since the Re numbers are less than 2300 for both fluids, we see flow type as laminar flow. While creating the design through the analysis program, the flow type was determined as laminar. Kinematic viscosity and density values of

MAS INTERNATIONAL EUROPEAN CONFERENCE ON MATHEMATICS-ENGINEERING-NATURAL & MEDICAL SCIENCES-XII

fluids were calculated based on the refinery production analysis report. Refinery analysis report is presented in Appendix 1.

Pipeline, tank and product inlet model designs created for analysis are shown in Figure 2.

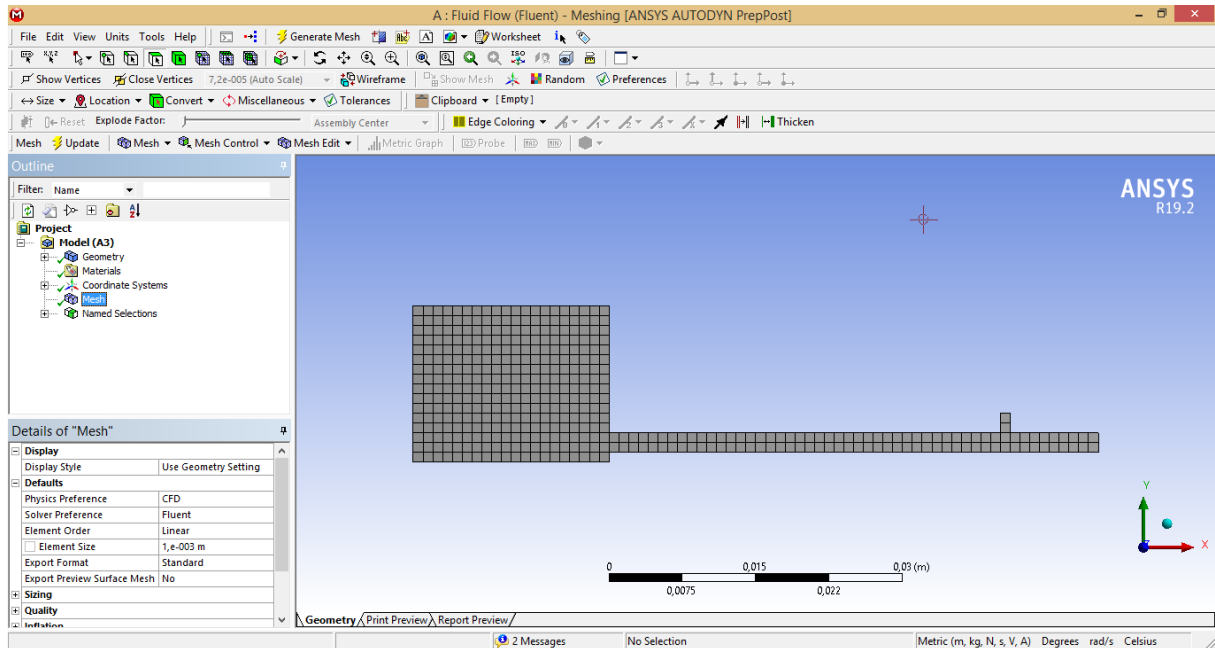


Figure 2. Analysis Model Design

While creating the analysis, the flow was created as dual phase. The first phase is used for diesel (diesel), the second phase is used for pointer (um). Multiphase selection and multiple phase formation in the model tree are shown in Figure 3 below.

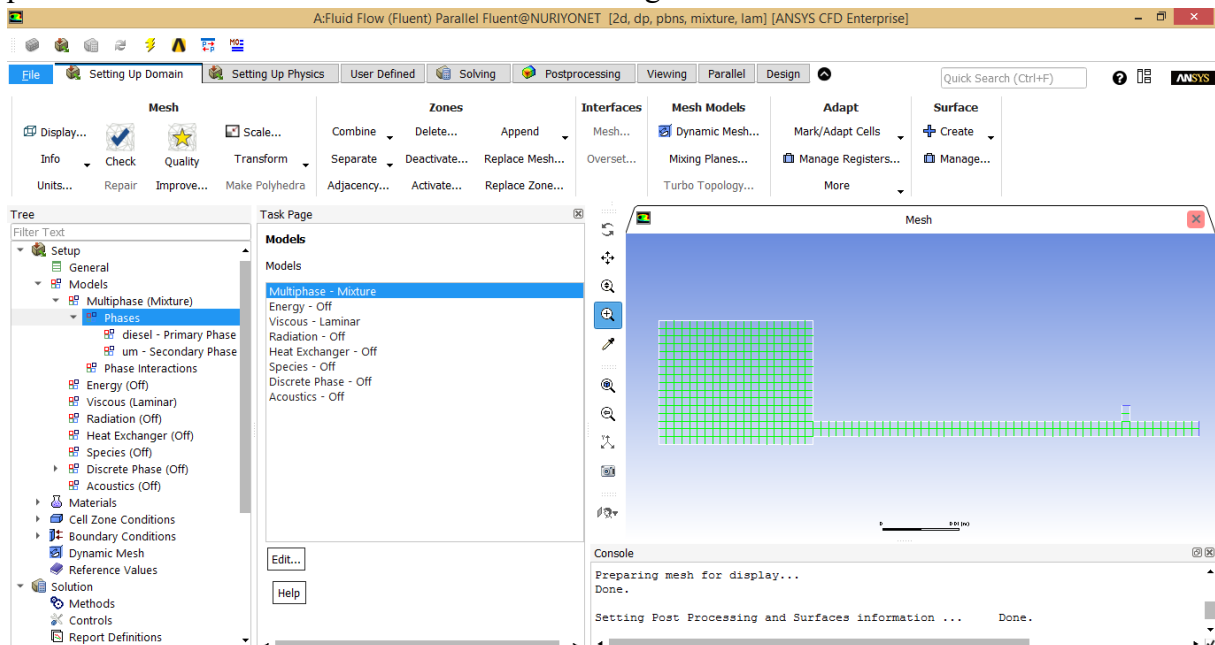


Figure 3. Multiphase Selection and Multiple Phase Model

Fluid selection, density and chemical values are shown in Figure 4 and Figure 5.

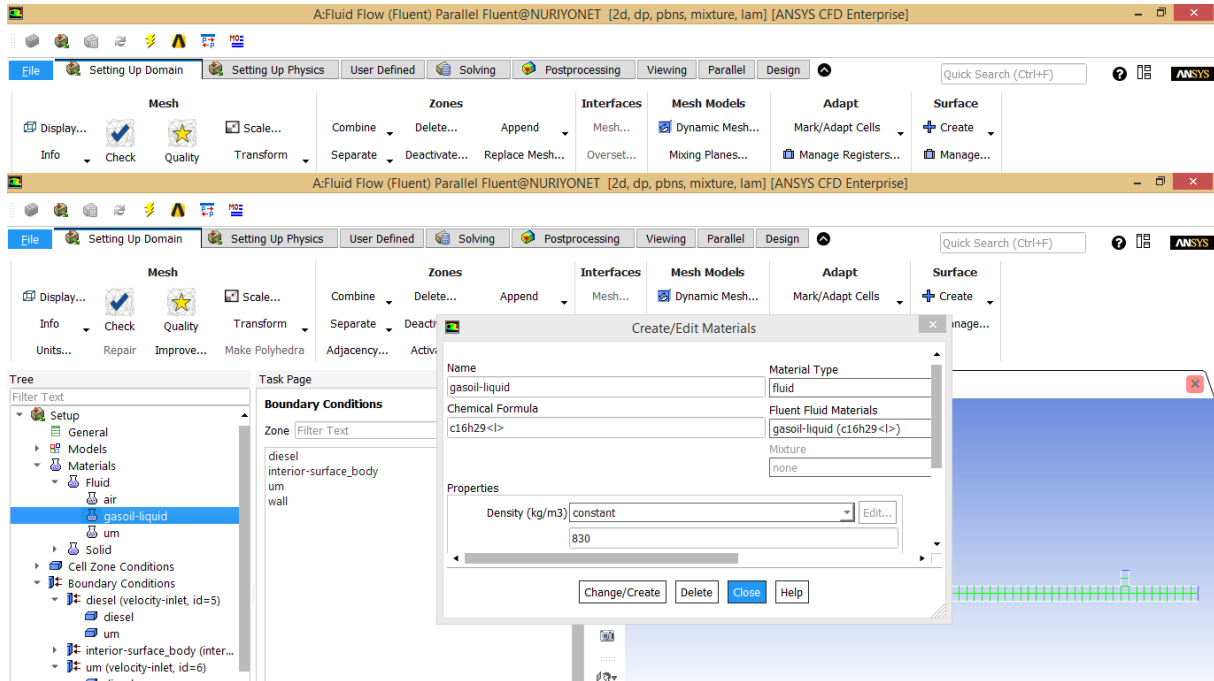


Figure 4. Introduction of Diesel (gasoil-diesel) Product Properties

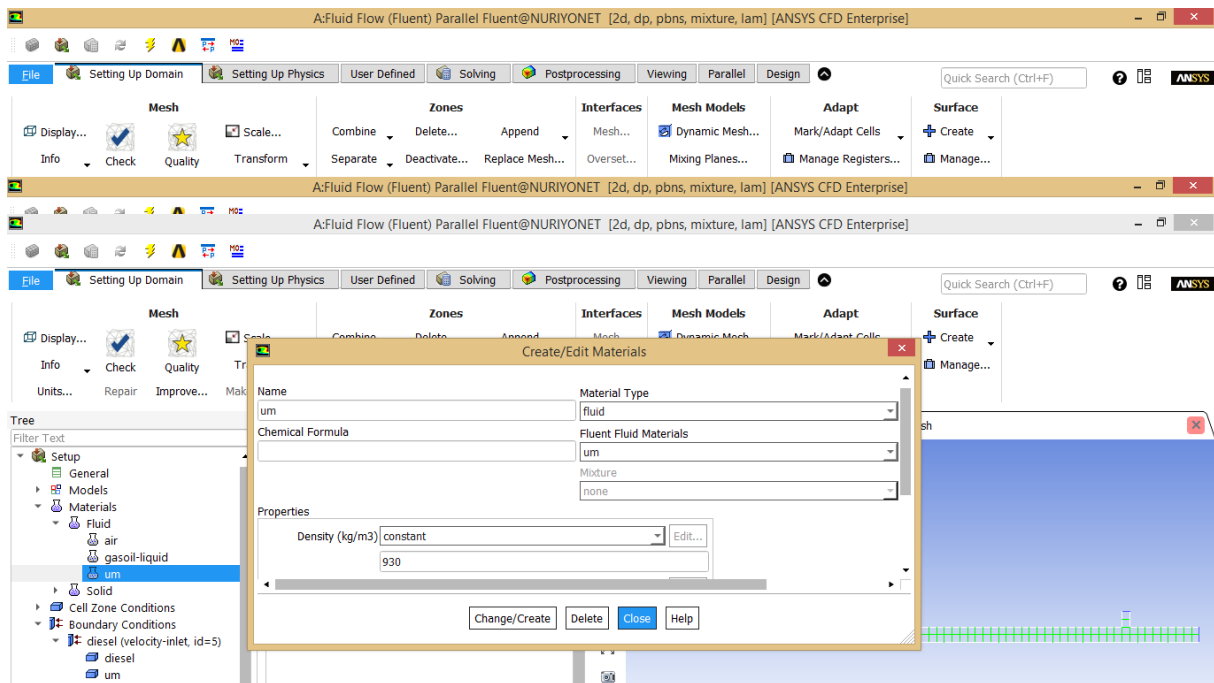


Figure 5. Pointer (um) Entry of Product Properties

The definition of flow directions and flow rates defined in product entry points determined by the boundary conditions are given in Figure 6.

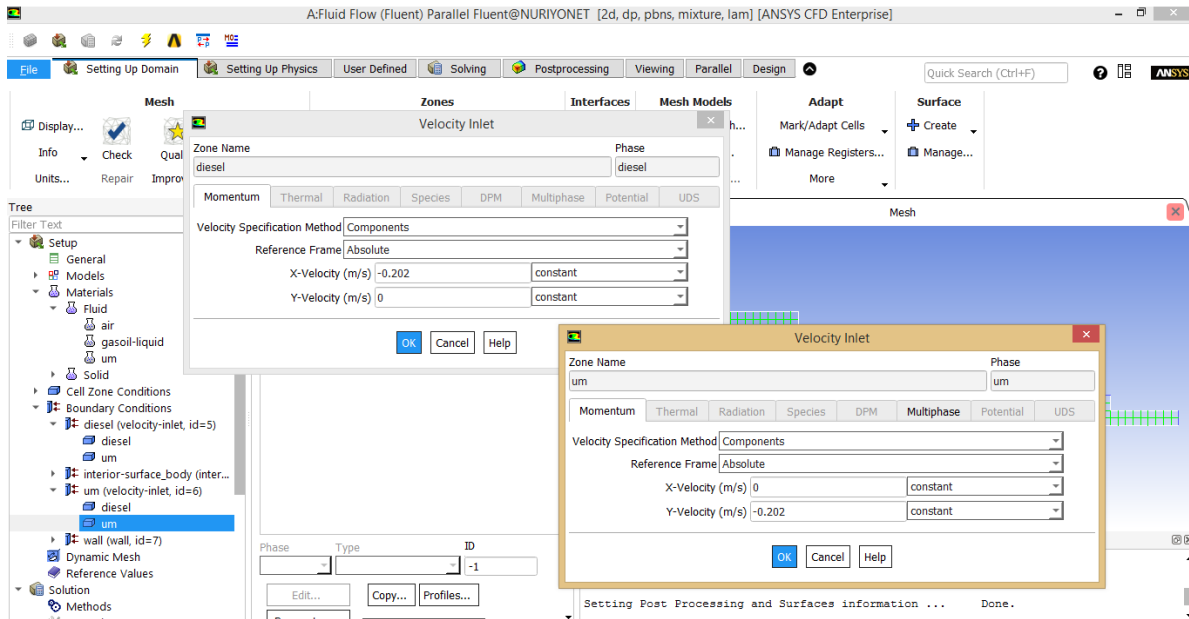


Figure 6. Identification of Product Flow Rates

The system designed with the data defined in the simulation program was analyzed and the results are given in the results section.

3. RESULTS

Flow indicators, flow line visuals, fluid velocities and density distributions in the mixture are given below.

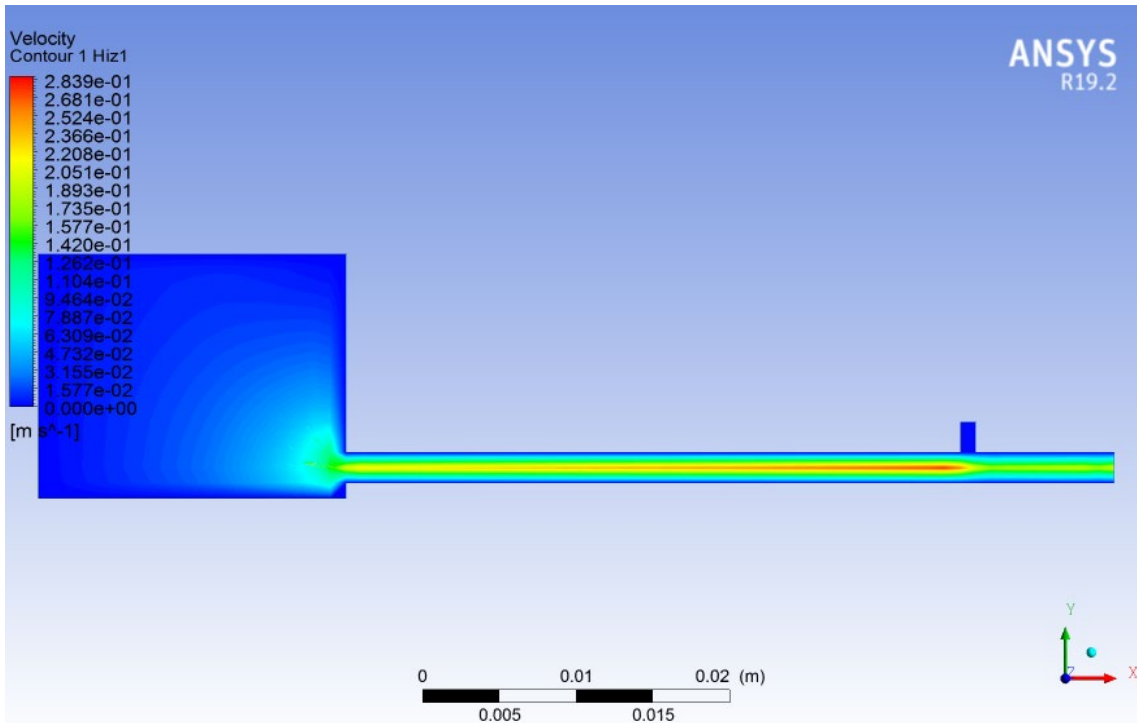


Figure 7. Display of Fluid Velocities

There are two different fluids in the $-X$ direction (diesel) and $-Y$ direction (pointer) on the coordinate plane. The velocity values of both fluids are defined as $0,202 \text{ m / s}$, and the average speed of the diesel product on the line until the pointer fluid moving in the $-Y$ direction

is 0,192 m / s. With the inclusion of the second product, the pointer fluid, in the flow motion of the diesel product, the speed of the fluids increased together and appeared as a speed of approximately 0.269 m / s. The speed of the fluids reaching the tank decreased due to the fact that no force was applied in the intermediate partitions, and the flow reached the tank with an average speed of 0.0788 m / s.

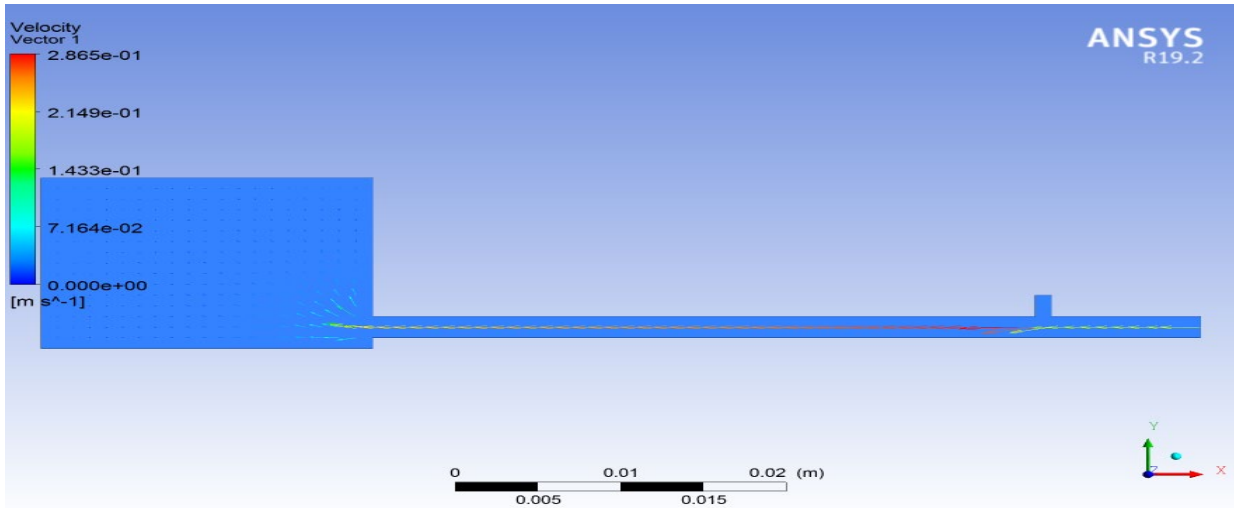


Figure 8. Vector Display of Fluid Velocities

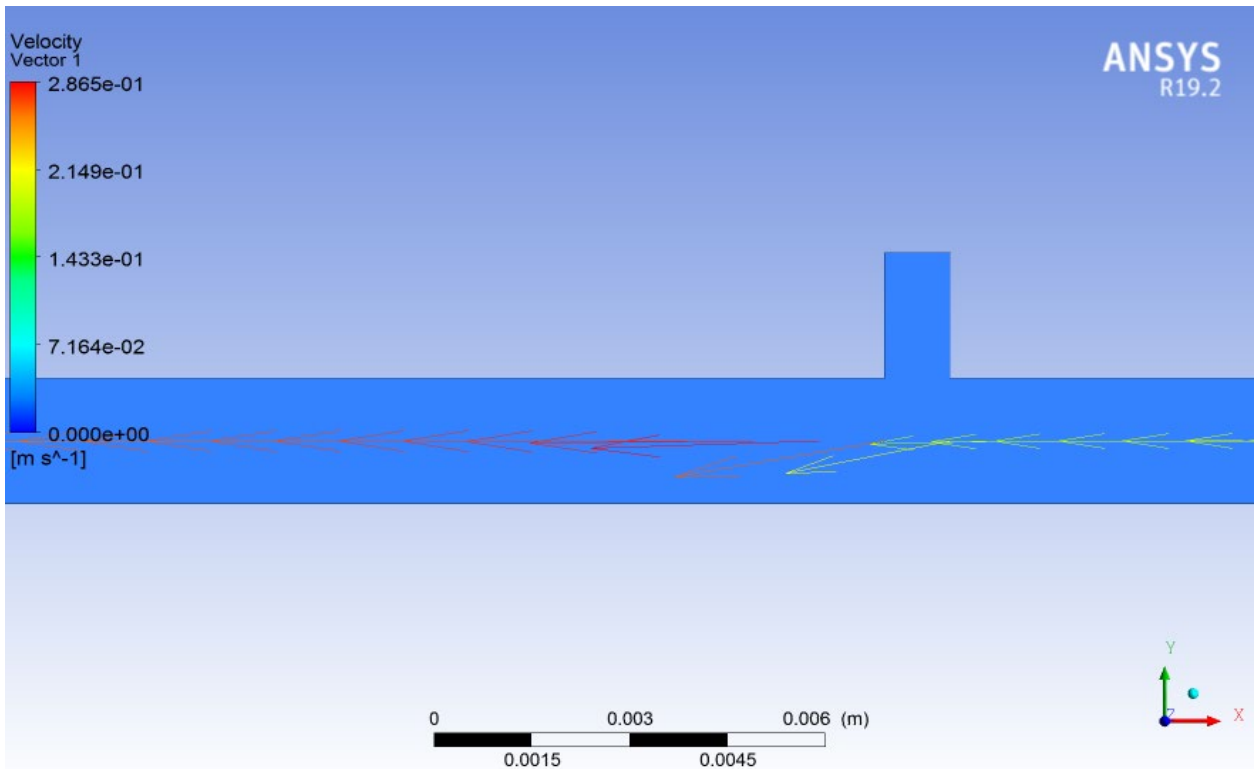


Figure 9. Vectorial Representation of the Region where Fluid Velocity Crosses

In the vector representation of the flow rates shown in Figure 8 and Figure 9, the direction of the flow and the orientations it is exposed to are seen. The effect of the fluid entering the – Y plane to the fluid entering the –X direction and the increase in the flow rate are shown in Figure 9 in red. The speed of the diesel product, which continues with the average speed of

0,215 m / s, has reached a speed of 0,287 m / s with the start of mixing with the second product pointer.

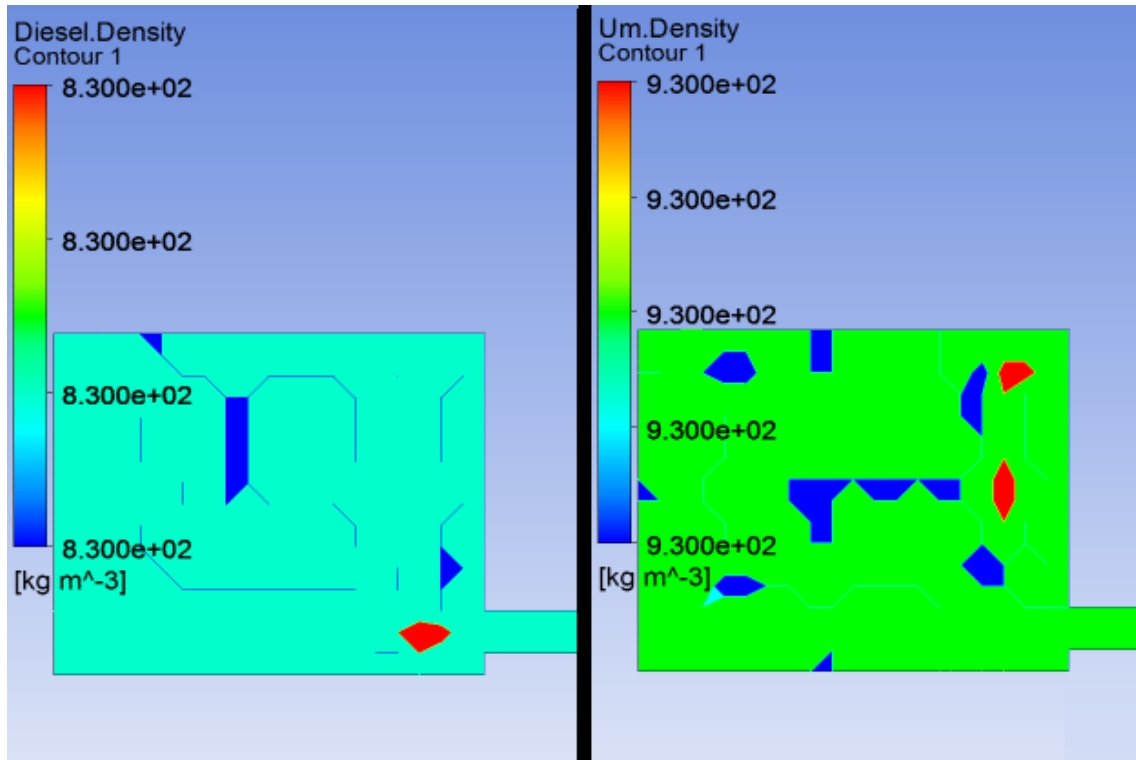


Figure 10. Distribution of Fluids According to their Density in the Tank

Since the density of the two fluids subject to the study is different, their positioning for each fluid formed in the tank is shown in Figure 10.

In the image given in Figure 10, it is seen that the places with homogeneous mixture are indicated with more intense colors. The visual that is given together in both fluids are presented below.

In Figure 11, which shows the density values of the products that may occur after the mixture by looking at the difference in density, an average density of 834 kg / m³ has been observed in the tank.

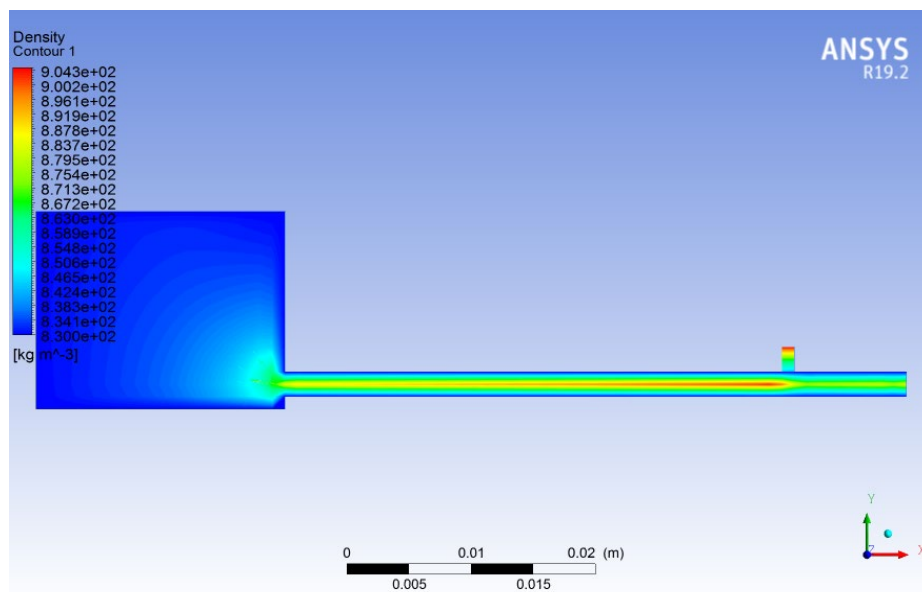


Figure 11. Mixing Density of Fluids

In our study, analysis was made by waiting for both products to mix without being exposed to any effect. Two fluid pipelines with a density of 830 kg / m³ and 930 kg / m³ were transferred by pipelines and their mixtures were provided in and along the line.

4.CONCLUSION

It can be seen that the density of the mixture is close to the density of the fluid with a density of 830 kg / m³. It has been observed that the distribution will vary according to the size of the tank volume. It was concluded that with the same length of pipeline and diameter, mixture distribution would be better provided in smaller tanks. It has been concluded that the marker product used as additive product is even closer to the tank inlet and the work can be extended by increasing the speed of the additive product. It has been determined that the use of a mixer will increase the homogeneous distribution in order to increase the mixture ratio provided in the tank.

REFERENCES

- [1] Fluid Mechanics: fundamentals and applications / Yunus A. Çengel, John M. Cimbala.—1st ed.
- [2] Karayel D., Akışkanlar Mekaniği, Akdeniz Üniversitesi Ziraat Fakültesi Tarım Makinaları Bölümü,
- [3] Mattarella E., Rinaldina C.A., Golovitchev V.I., CFD-3D analysis of a light duty Dual Fuel (Diesel/Natural Gas) combustion engine, 68th Conference of the Italian Thermal Machines Engineering Association, ATI 2013.
- [4] Dixit S., Kumar A., Kumar S., Waghmare N., Thakur H.C., Khan S., CFD analysis of biodiesel blends and combustion using Ansys Fluent, Selection and of the scientific committee of the 10th International Conference of Materials Processing and Characterization, 2019.
- [5] Sepehr Khajeh Naeeni, Leila Pakzad, Experimental and numerical investigation on mixing of dilute oil in water dispersions in stirred tank, Department of Chemical Engineering, Lakehead University, 955 Oliver Road, Thunder Bay, ON, P7B 5E1, Canada, 2019.
- [6] Markova V.A., Kamaltdinov V.G., Loboda S.S., Optimization of Diesel Fuel and Corn Oil Mixtures Composition, International Conference on Industrial Engineering, ICIE 2016.

ISI POMPASI VE DİĞER SİSTEMLER ARASINDAKİ ENERJİ VERİMLİLİĞİNİN
KARŞILAŞTIRILMASI HAKKINDA BİR İNCELEME ÇALIŞMASI

Fırat Baş
Ali Kibar
Murat Hoşöz
Kocaeli Üniversitesi

Özet

Gelişen teknoloji ve endüstri her geçen gün enerji ihtiyacını artırmaktadır. Bu ihtiyacı karşılamak için, doğada var olan ancak doğaya zarar vermeyen yenilenebilir enerji kaynakları üzerine çok sayıda çalışma yapılmıştır. Bu çalışmalar sonucunda, ısı pompası sistemlerinin yukarıda belirtilen özellikleri içerdiği anlaşılmıştır. Enerji verimliliğini artırırken enerji maliyetlerini düşürmek büyük önem taşımaktadır. Bu nedenle toprak, su ve havadan enerji üretmek için çeşitli ısı pompası sistemleri geliştirilmiştir. Isı pompalarından biri belirli bir konuda daha verimli olabilirken, diğerleri böyle olmayabilir. Isı pompaları maliyet açısından dikkate alınır, toprak kaynaklı ısı pompası diğer tiplere kıyasla en pahalı tip iken, hava kaynaklı ısı pompası diğer tüm kaynak türleri arasında en ucuzudur. Bunlar verimlilik açısından değerlendirilirse, toprak kaynaklı ısı pompası diğer kaynaklara kıyasla en verimli kaynakken, hava kaynaklı ısı pompası tüm bu kaynaklarda en az verimli olanıdır. Bu çalışmada, ısı pompalarının diğer soğutma ve enerji üretim sistemlerinden farklılıkları, günümüzde tercih edilen kullanım alanları ve kullanım alanlarındaki artışına yönelik çalışmalar incelenmiştir. Buna ek olarak, diğer soğutma sistemlerinde kullanılan aşırı soğutma-aşırı ısı regülatörlerinin etkisi ve bileşen tiplerinin ısı pompası sistemleri üzerindeki etkileri deneysel olarak incelenmiştir.

Anahtar Kelimeler: Isı Pompası, Enerji Üretim Yöntemleri, Enerji İhtiyacı, Sistem Verimliliği

COMPARISON OF ENERGY EFFICIENCY BETWEEN HEAT PUMP AND OTHER
SYSTEMS: A REVIEW STUDY

Abstract

The developing technology and industry raise the need for energy day by day. In order to meet this need, numerous studies have been carried out on renewable energy sources that exist in nature but do not harm the nature. As a result these studies, it has been understood that heat pump systems contain above-mentioned specifications. It is of great importance to reduce energy costs while increasing energy efficiency. Because of this reason, a variety of heat pump systems have been developed to produce energy from soil, water and air. While one of heat pumps can be more efficient in specific issue, others may not be so. If heat pumps are considered in terms of cost, while soil source heat pump can be the most expensive type compared with the other types, air source heat pump might be the cheapest among all other source types. If these are considered in the view point of efficiency, while soil source heat pump is the most efficient source compared with the other sources, air source heat pump is the least productive one in all of these sources. In this study, heat pumps differences from other cooling systems and energy produce systems, preferable using areas at present, and workings

**MAS INTERNATIONAL EUROPEAN CONFERENCE ON
MATHEMATICS-ENGINEERING-NATURAL & MEDICAL SCIENCES-XII**

for its increase in using areas are examined. In addition to this, the effect of subcooling-superheat regulators that are used in the other cooling systems and the effects of component types on the heat pump systems are examined as experimental.

Keywords: Heat Pump, Produce of Energy Methods, Needs of Energy, Efficiency of System

**DIGITALIZATION OF LAND RECORDS THROUGH GEOGRAPHIC
INFORMATION SYSTEM: AN IMPERATIVE FOR RELIABLE EFFICIENT AND
EFFECTIVE LAND ADMINISTRATION IN BORNO STATE, NIGERIA**

Sani Inusa Milala, Dr. Bala Ishiyaku, Bashir Ali
Abubakar Tafawa Balewa University Bauchi, Nigeria

Abstract

With development of the globe, the need for information technology such as GIS, DATABASE in most administration system including lands. Become crucial, Geographic Information System (GIS) is a configuration of computer hardware, software and data specifically designed to capture, process, analyze, manipulate, edit store, retrieve and display spatially referenced information. Being a computer-based system, GIS is a robust, reliable and versatile technology that can be use and adopted in managing both spatial and attribute data in text and graphic form thereby making it most suitable for land administration and other related purposes.

This write up postulated that the analogue (pen and paper) which is present manual system of processing land records such as filing, recording, storing and retrieval of information relating to land administration can no longer be held continuously in this era of technological development where information technology become the vital tool of any administrative system.

To go again backdrop of globalization in the term of information technology of this era of technology, land administration, land management, land ownership and land development become the most important subject concern, where there need of facilitating land administration system and process such as timely registration, ensuring security of tenure, availability of land information, simplification of application process, transparency, facilitating of property market, minimizing corruption index, efficient land market, system of reference and information for land policy design etc. perhaps this facilitation will become achievable by use of GIS technology in land administration of state ,

For imperative effective, efficient and reliable land administration in borno state of Nigeria the paper therefore advocates for the state to strengthened, give more consideration and sustainably continue with digitalization of all land administration using the GIS technology.

Key words: Digitalization, land administration, and GIS Technology

1.0 Introduction.

Land in borno state of Nigerian, is seen from the same view as other parts of the world sees it, that is land is solid lower part of earth crust which is a unique resource of fixed location, incapable of expansion in supply (except in cases where, marginal increases have been made through reclamation or other means of ownership) and it is transferable in ownership.

With potentiality of each and every development mount to land, how valuable is attached to survival of man and the deals encompasses in land it become the national alarm that necessitate for reliable, efficient and effective management of this limited resource, of which is paramount importance.

MAS INTERNATIONAL EUROPEAN CONFERENCE ON MATHEMATICS-ENGINEERING-NATURAL & MEDICAL SCIENCES-XII

Both land administration and management involve land allocation, land registration, transfer and change of title, change of use and other land information processing, of which it has been recognized that improvements to land administration via geographic information systems (GIS) are vital catalysts for transformation development in a developing and less developed areas. This (stand) position is recognized by the Global Strategy for Shelter for the Year 2000 (UNCHS, 1990) which recommends the adoption of GIS and establishment of efficient land registration as a priority area of national policy action for all countries. Successfully adopting the GIS technology in land administration in Borno state is great mile achievement, toward improvement of national policy.

The importance of land to the development and survival of man can hardly be overemphasized. Land is indeed a very crucial resource to man as it provides the base for all developmental activities. In most countries of the world, land constitutes a substantial portion of a nation's wealth. Efficient management of this vital resource is therefore essential for the overall sustenance and development of man.

According to the report of the United Nations, Land Administration Guidelines that "determining, recording and disseminating information on ownership, value and use of land when implementing land management policies" as land management where land administration is its overall process (UN ECE 1996).

As stated in the studies of Akeh, G.I, Batu and Madu, MA (2014), Dale (2000) Also view land administration includes the determination (sometimes known as adjudication) of rights and other attributes of the land, the survey and description of such lands, their detailed documentation and the provision of relevant information about the land and any property attached to it.

Akeh GI, Butu HM, Modu MA (2014) Currently most of the state in Nigeria are struggling in transforming their land administration from manual to the digital, but perhaps most land administration agencies in Nigeria continue to rely heavily on the manual system of filing, recording, storing and retrieval of information relating to land within their control unit.

According to Ali Z, Shakir M, (2012) the existing manual land information system, which is entirely based on maps and records on paper formats with no cartographic standards and often out-dated information, can no longer be sustained in an emerging information society.

The problems of land administration in Nigeria is further accentuated by the lack of a uniform system for land administration in the various states of the Federation due to the operation of the Land Use Act, which vests land in each state on the Governor. Thus each state has its own system and procedures for land administration making the entire country have a non-uniform system in the administration of land.

In the reviewed article of Akeh GI, Butu HM, Modu MA (2014) with title the role of geographic information system in urban land administration in Nigeria, they stipulate that Geographic Information System (GIS) therefore presents itself as a robust, reliable and versatile technology that can be used in managing land records. Although GIS has been used extensively in environmental resources management, it has had limited use in land administration particularly in developing countries. This perhaps explains why in Nigeria, many land registries are yet to implement the GIS technology. Its adoption and implementation in the management of land records through the use of GIS technology is fundamentally important for effective and efficient reliable urban land administration practice, which is crucial

MAS INTERNATIONAL EUROPEAN CONFERENCE ON MATHEMATICS-ENGINEERING-NATURAL & MEDICAL SCIENCES-XII

for sustainable development in Nigeria. Therefore in precisely adopting the use of GIS technology in the Borno state land administration system will be a great achievement toward development of the state.

United Nations committee of experts on global geospatial information Management State in the studies with title *The Application of Geospatial Information – Land Administration and Management* (2015) that Geospatial/land information and its management are fundamental to successful land administration and the derived benefits to the economies and overall sustainable development of nations. Furthermore, it is critical to the successful implementation of the Sustainable Development Goals, as it is able to provide reliable data on land, including its tenure and dimensions, at local scales. Despite substantial work being undertaken and completed on land issues by non-government organizations, professional bodies and global organizations, more work needs to be undertaken to consider the geographical information management aspect which assists considerably with land governance, land administration and management.

Therefore this paper aimed at exploring various the advantages, and development behind the adopting the use of GIS technology in land administration, to stand as yardstick of measure for strengthening the Borno government in supporting and giving more attention to the successful use of GIS Technology in land Administration, Achieving adoption of GIS technology in Borno state BOGIS on the other hand will help in ease of management, security of tenure, ease of control, reducing corruption, making the transparency in the system, help in provision of information to property market, attract land investors, help in providing development potentials, ease development control, provide reliable information for decision and policy design and many potentiality which is unrevealed by attached to the technological advancement.

CONCEPT GEOGRAPHIC INFORMATION SYSTEM (GIS)

With the definition from various scholars attempting to define GIS. Here are some of the definitions put by the scholars

GIS means geographic information system where it is seen as a “set of tools for collecting, storing, retrieving at will, transforming and displaying spatial data from the real world for a particular set of purposes”. (Burrough 1986)

GIS is a “computer based system that provides four sets of capabilities to handle geo-referenced data: data input, data management (data storage and retrieval), manipulation and analysis and data output”. (Aronoff 1995)

Star and Estes (1990) defined GIS as an “information system that is designed to work with data referenced by spatial or geographic co-ordinates”. This definition though brief highlights the fact that most of the data that the GIS uses are geo-referenced data. That is, data tied to some geometric coordinates on the surface of the earth.

Tomlin (1990) views GIS as a “configuration of computer hardware and software specifically designed for the acquisition, maintenance and use of cartographic data” This definition undoubtedly reveals one of the unique functions of GIS which is map making. Hence, GIS is perceived to be an advanced cartography.

According to the Environmental Systems Research Institute (ESRI, 1990), a GIS is an “organized collection of computer hardware, software, geographic data and personnel designed

MAS INTERNATIONAL EUROPEAN CONFERENCE ON MATHEMATICS-ENGINEERING-NATURAL & MEDICAL SCIENCES-XII

to effectively capture, store, update, manipulate, analyze and display of all forms of spatially referenced information”.

On the other hand, Fabiyi (2004) describes GIS as a “unique integration of computer hardware, software, peripherals, procedural techniques, organizational structure, people and institution for capturing, manipulating, storing, analyzing, modulating, modeling and displaying geographically referenced data for solving complex human related problems”.

From the analysis of the above definitions, it is obvious that GIS is a computer-based system that is used for mapping and analyzing spatial features on the earth’s surface. It is also indicative from the various definitions that GIS is an interdependent system consisting of the following components namely computer hardware, software, geographic data, expertise and procedures. No component can operate in isolation of the other and a careful integration of all is vitally important for the successful functioning of GIS.

Although most definitions tend to emphasize one type of data that is inherently unique to GIS, which is spatial data, there is another type of data known as attribute data. The attribute data gives descriptive information or characteristics of spatial features or geographical entities held in the spatial database. The attribute data is usually maintained in a relational database and linked to the spatial data. The real power of GIS lies in its ability of using spatial and statistical methods to analyze attribute and geographic data with a view to providing graphical and textual information that can aid prudent decision making.

THE FUNCTIONS OF GIS IN LAND ADMINISTRATION

The Land administration essentially entails a number of processes meant at ensuring that land rights are properly delineated and recorded. It involves all those processes whereby information relating to land ownership, land use and land value are properly documented and reprocess. Generally, these processes often result in large volumes of information that need control process that will en-cooperate with technological development. This such information are bound to subjects such as master plan, land use plans, detailed site development plans, engineering infrastructure as well as other survey information, records of allocation (name of allottees, plot numbers, plot sizes, use and locations), records of all transaction such as power of attorney, deed of assignment, mortgages, subleases, releases, devolution and so on. All these information are practically difficult to manage using the traditional/manual approach. Where it call for the modern means of the control, That is used of GIS technology where it is seen in many developing countries and even some state in the country.

GIS, being a digitalized system, has capabilities in handling such huge amount of data in a manner that is not only effective, but efficient, secured, faster and transparent. Data handled by a GIS can be spatial or attribute data. Spatial data relates to data that has locational or positional identity with respect to the surface of the earth while attribute data describes the characteristics or qualities of spatial features. This implies that a GIS may have a property parcel described in its spatial database and qualities such as its land use, ownership, property valuation and so on in its attribute database. Akeh GI, Butu HM, Modu MA (2014)

Adamu (2012) outlined some advantages of digitalization of land administration systems via GIS technology that it will help in Providing public access to information relating to land, Increasing the speed of processing title and reducing time and cost in the process of obtaining title to land, Entrenching transparency in land administration practices, Integrating land record

information with other services, Simplifying application forms and processes, Controlling of double allocation and un-authorized use of land, Reducing the influx of illegal intermediaries and Improving collection of property taxes.

Gilo, (2013); and Egbenta, Ndukwu & Adisa, (2012) postulate that the adoption of GIS technology can potentially lead to the development of effective, efficient and reliable organized land markets, guarantee tenure security among land owners, increase revenue generation by government, reduce disputes among land owners as well fostering prudent land management by establishing efficient system of land administration.

Siriba and Farah, (2014) Digitalization of land information system through GIS is therefore seen as the most appropriate technology in the reformation of cadastral systems and land administration all over the world.

According to Nuhu (2009), GIS is one of the modern methods that could be used in the digitalizing of land records as well as enhancing the process of land registration in Nigeria. This underscores the reason why many states governments in Nigeria are beginning to adopt GIS in their land administration processes. With the success story of the Abuja Geographic Information System (AGIS), Nasarawa state geographic information system (NAGIS) and other states such as Lagos, Niger, Bauchi, Benue, Cross River, have also established their respective GISs.

ADVANTAGES OF USING GIS IN LAND ADMINISTRATION

In the study of Akeh GI, Butu HM, Modu MA (2014) it was clearly enumerated that the adoption of GIS for land administration purposes will undoubtedly bring a lot of benefits and promote sustainable national development in the country. Some of the notable benefits have been outlined below:-

- i. A GIS based land administration system will facilitate data processing, storage and retrieval of land records and provide secured geospatial data infrastructure for all land matters.
- ii. It will facilitate easy completion of land registration processes which at the moment takes longer time to complete in most states of the federation;
- iii. Guarantee secured land rights to land owners since details of all land parcels will be captured in the GIS spatial database. According to UNECE (1996), there can be no sustainable development without secured land rights.
- iv. GIS land- based titles are considered secured hence provide security for credits for land owners by banks. This has a value added chain particularly in the housing, construction and financial sector;
- v. It will decrease the cost and space required for storing land records. Depending on the hardware and storage capability of the computer, a whole lot of data can be stored in them with backups made in case of system breakdown. The wear and tear of graphical information such as maps and layouts can be eliminated completely.
- vi. Since each land parcel is unique in its location having distinctive geographic coordinates, the issue of double allocation of plots as is common with the current practice will become a thing of the past. Hence the system will engender transparency in land administration system;

MAS INTERNATIONAL EUROPEAN CONFERENCE ON MATHEMATICS-ENGINEERING-NATURAL & MEDICAL SCIENCES-XII

vii. Increase revenue to government through the re-validation of titles by land owners, consent fees, deed of assignment, deed of mortgage, deed of lease, power of attorney, sales of hardcopy maps etc.

viii. GIS allows for spatial and attribute query as well as spatial searches through a very effective and efficient Database Management System (DBMS) embedded in the GIS infrastructure. It will ease property searches and facilitate land transactions. The long period of time it takes to verify title to land will be drastically reduced. Search fees paid in the process will also yield revenue to government.

viii. It will encourage land transactions in the formal markets since every potential buyer will want to verify from the GIS whether the title to the land is genuine and free from any encumbrances. Without reliable registers, transaction in land is often costly, time consuming and uncertain.

ix. The system will reduce to the barest minimum cases of land disputes. The GIS records all the particulars of the owner of a given parcel of land as well as the geometric dimension of the land parcel. By so doing, it is difficult for two people to lay claim to the same piece of land.

Integrity checks built in the DBMS ensures that database is not unduly tampered with.

x. Being a land repository, the data held in the GIS database will be of immense benefit to government for planning and developmental purposes. E.g. taxation, housing, transportation etc.

xi. The GIS allows the concurrent use of data by different users at a time. Hence, allows for information sharing among different users.

Advantages of Computer-Based Databases

- i. Different data access methods will be possible.
- ii. Data are stored independently of the application for which they will be used.
- iii. Redundancy will be minimized
- iv. Access to data will be controlled and centralized
- v. A computer database is relatively easy to maintain and updating is possible
- vi. 6 Simple query systems and standardized query languages are available.

Recommendations

Successful adoption of GIS technology featuring reliable, efficient and effective land administration in Borno state of Nigeria, the following recommendations was postulated;

There is need for the establishment of information system or Services that will be vested with the statutory powers to create a geospatial data infrastructure for land administration. Across the entire state, There need for employments of high GIS technology orientated staff and training of the other staff member of land registry that will involve in the administration of the system, the state government should give more consideration in term of attention and financial budget for the successful implementation of the system in the state., There need for the public education before the transformation of the exiting manual record to digital system, Training should be set at suspended time interval for any new improvement and update in the in order for staff to incorporate with level of technological development, High level of digital security have to incorporated into the system to prevent data hacking issues and There need for stable electricity supply to throughout the working hours to support the system.

Conclusion

The attempt made by Borno state government in welcoming the propose idea of establishments of BORGIS project to illustrate how a multi-purpose ease in land processing information, administration can be implemented and to show some of its potentials in the management and administration of land. Reliable Efficient and effective land administration depends on the availability of good, accurate reliable and timely information. This information can be guaranteed through the digitalization of land records using the GIS technology in Borno state. The manual approach of keeping land records in most land registries in the state and in the country at large can no longer be sustained in this era of information revolution due to its inherent problems.

If borno state is to appear among the force driving wheel helping Nigeria achieving sustainable development, then urgent steps must be taken to digitized its land records in the state that will help building a national land information system or service which will foster the growth of organized land markets, guarantee tenure security, reduce land disputes and increase the revenue generating potential of government.

Reference

Akeh, G.I., Butu, H.M., and Modu, M.A. (2014). Computerization of land record through geographic information system: an imperative for efficient land administration in nigeria.

Ali, Z. and Shakir, M. (2012). Implementing GIS-Based Cadastral and Land Information System in Pakistan, Journal of Settlements and Spatial Planning retrieved from <http://jssp.reviste.ubbcluj.ro> on 24/06/2014.

Dale, P. (2000). The Importance of Land Administration in the Development of Land Markets – A global perspective, Department of Geomatic Engineering University College London. England.

UN (2015) United Nations Committee Of Experts On Global Geospatial Information Management.

UNCHS (HABITAT) (1990) Global Strategy for shelter to the Year 2000, Nairobi, (HS/185/90E).

UNCHS (HABITAT) (1990) Guidelines for the Implementation of Land Registration and Land Information Systems in Developing Countries: with Special Reference to English Speaking Countries in Eastern, Central and Southern Africa, Nairobi.

United Nations Economic Commission for Europe (1996). Land administration Guidelines with Special Reference to Countries in Transition. New York and Geneva.

**ÇOĞUL DUVARLI KARBON NANOTÜP KATKILI TEK YÖNLÜ E-CAM/EPOKSİ
KOMPOZITLERİN BURKULMA DAVRANIŞININ ARAŞTIRILMASI**

Dr. Öğr. ÜYESİ Berkant DİNDAR

Tokat Gaziosmanpaşa Üniversitesi

Arş. Gör. İnan AĞIR

Pamukkale Üniversitesi

Özet

Bu çalışmada kompozit malzemelerin üretilmesi ve üretilen malzemelerin burkulma davranışlarının belirlenmesi üzere iki aşamadan oluşmuştur. İlk aşamada karbon nano tüpler çoğul duvarlı ve fonksiyonelleştirilmiş ve % 98 saflıkta temin edilmişlerdir. Nano partiküller epoksi reçineye ağırlıkça %0,5 oranında ilave edilerek mekanik olarak homojenize edilmiş ve el yatırması metodu ile tek yönlü ve 330 gr/m² ağırlığındaki E-cam elyaflara uygulanmıştır. Bu elyaflar dört kat olacak şekilde iki farklı oryantasyonda dizilerek sıcak pres ile 100 °C sıcaklık ve 8 bar basınç altında kürleştirilmiş ve kompozit plakalar elde edilmiştir. Bu plakalardan belirlenen ölçülerde su jeti ile deney numuneleri elde edilmiştir. İkinci aşamada kompozit plakaların çekme ve sabit-sabit koşullarda burkulma davranışları deneysel olarak araştırılmıştır. Bu bağlamda deney numunelerine Instron 8801 çeki-bası deney cihazı ile ortam sıcaklığı ve ortam nem koşullarında 1 mm/dk bası yükü uygulanarak kritik burkulma dayanımları ile çekme belirlenmiş ve elde edilen sonuçlar bir birleri ile karşılaştırılarak grafikler halinde sunulmuştur.

Anahtar Kelimeler: E-cam, Epoksi Burkulma Davranışları, Karbon nanotüp.

**INVESTIGATION OF BUCKLING BEHAVIOUR OF UNIDIRECTIONAL
E-GLASS/EPOXY COMPOSITES WITH MWCNT ADDITIVE**

Abstract

In this study it consist of two stages; the production of composite materials and the determination of buckling behavior of the produced metarials. In the first stage carbon nanotubes were multi-walled and functionalized and suplied in 98% purity. The nanoparticles were mechanically homogenized by adding 0.5% by weight to the epoxy resin end applied to unidirectional 330g/m² weight E-glass fibers by hand lay-up method.,these fibers are arranged in two orientations in four layers. Cured under hot pres at 100 °C and 8 bar pressure composite plates were obtained. Experimental samples were obtained with water jet in the sizes determined from these plates. In the second stage tensile and buckling behavior of composite plates in clamped-clamped conditions was investigated experimentally. In this context the critical buckling and tensile strengths of the test samples were applied with Insstron 8801 tensile-compression test device at ambient temperature and ambient humidity conditions and the results were presented in graphs by comparing them with each other.

Keywords: E-glass, Epoxy, Buckling behaviours, Carbone nanotube

1. GİRİŞ

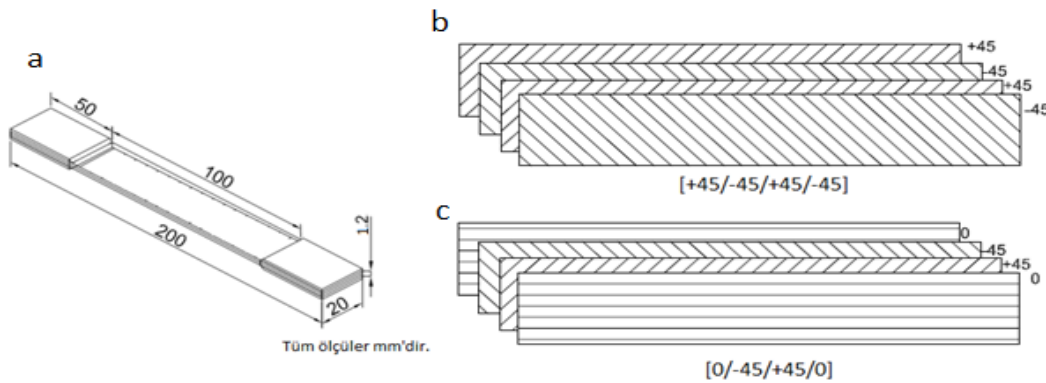
Metallere kıyasla fiber takviyeli kompozitler, esneklik, yüksek darbe mukavemeti korozyon dayanımı, hafiflik gibi üstün özelliklere sahiptirler. Bu yüzden kompozitler

havacılık, denizcilik ve otomotiv sektörlerinde metallere alternatif olarak kullanılmaya başlanmıştır [1]. 91 yılında keşfedilen karbon nano tüpler (KNT) yüksek dayanım ve rijitlik, yüksek spesifik yüzey alanı, gibi özellikleri ile matris modifikasyonu için iyi bir adaydır [2]. Ağırlıkça % 0.5, 1, 2 ve 3 oranlarında karbon kompozitlerin çekme ve basma yükü altında % 3 oranında çok duvarlı karbon nanotüp katkısının çekme ve basma mukavemetini katkısız numuneye oranla sırası ile % 29 ve % 28 arttırmaktadırlar[3]. %1 oranında KNT $[0^{\circ}/+45^{\circ}/-45^{\circ}/90^{\circ}]_s$ oryantasyonunda ve tek yön $[0^{\circ}]_8$ E-glass/epoksi kompozitleri alüminyum merdane ile haddeme yaparak üretilmiş ve bu yöntem ile hava kabarcıkları ve topaklanma azalmıştır[4]. Bazı partikül modifiyeleri burkulmaya karşı pozitif etki sağlamaktadır [5]. E-cam/epoksi kompozitlerde karbon nanotüp modifiyesin burkulmaya pozitif etki etmektedir [6]. Farklı boyutlardaki karbon nano partiküllerin burkulmaya etkisi karşılaştırıldığında boyut küçüldükçe kompozitin burkulma dayanımı artmaktadır [7]. Karbon nanotüplerin homejen dağılması önemlidir. Karbon nanotüpler homojen dağılmaz ise oluşan topaklanmalar çentik etkisi yaparak gerilme yığılmalarına neden olmaktadır[8].

Bu çalışmada ise karbon nanotüp ile modifiye edilmiş E-cam takviyeli nano kompozitlerin iki farklı oryantasyon açısında burkulma davranışları araştırılmıştır.

2. MATERYAL ve YÖNTEM

Kompozit plakaların takviyesinde tek yönlü 330g/m^2 ağırlığındaki E-cam kumaşlar kullanılmıştır. Matris malzemesi olarak çoğul duvarlı karbon nanotüp katkılı epoksi reçine tercih edilmiştir. Epoksi-sertleştirici karışımı %20 sertleştirici %80 epoksi olacak şekilde üreticinin önerdiği oranlarda hazırlanmıştır. Çoğul duvarlı karbon nanotüpler reçine-sertleştirici ağırlığının % 0,5 oranında tartılarak karışıma ilave edilmiş ve mekanik olarak 20 dk karıştırılarak homojenize edilmişlerdir. Karbon nano tüplerin düzgün homejenize olması ve hasara uğramaması için karıştırma süresi ve karıştırma hızı önemlidir [9]. Daha sonra bu reçine kumaşlara bir el paleti ile uygulanmış ve bu ıslak kumaşlar 100°C ve 3 saat süre ile ısıtmalı pres yardımıyla kürleştirilmişlerdir. Kürleşen plakaların çapak alma testeresi ile kenarlarındaki epoksi çapakları temizlenerek su jetinde Şekil.1(a)'daki deney numunesi ölçülerine getirilmiştir. Şekil.1 (b,c)'de ise deney numunelerinin oryantasyon açıları (fiber dizinimleri) görülmektedir.

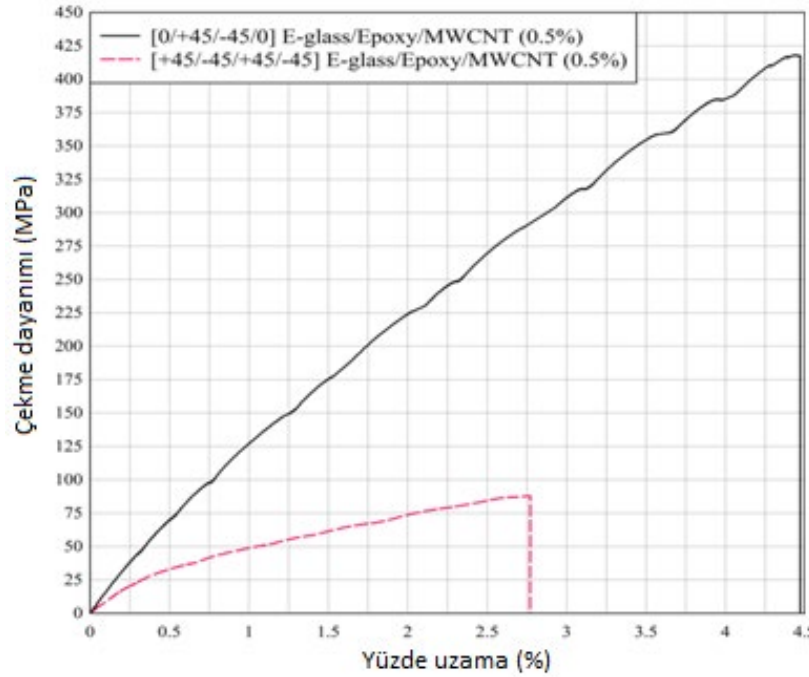


Şekil 1:Çekme ve burkulma numunesi teknik resim çizimi (a), [+45,-45,+45,-45] oryantasyonlu numune(b), [0,-45,+45,0] oryantasyonlu numune (c).

Deney numuneleri üretildikten sonra burkulma ve çekme deneyleri ortam sıcaklığı ve ortam nem koşullarında Instron 8801 model bası-çeki yapabilen test cihazı kullanılarak 1 mm/dk bası hızında burkulma deneyleri ve yine aynı hızda ASTM D 3039 çekme standardına göre çekme deneyleri yapılmıştır[10].

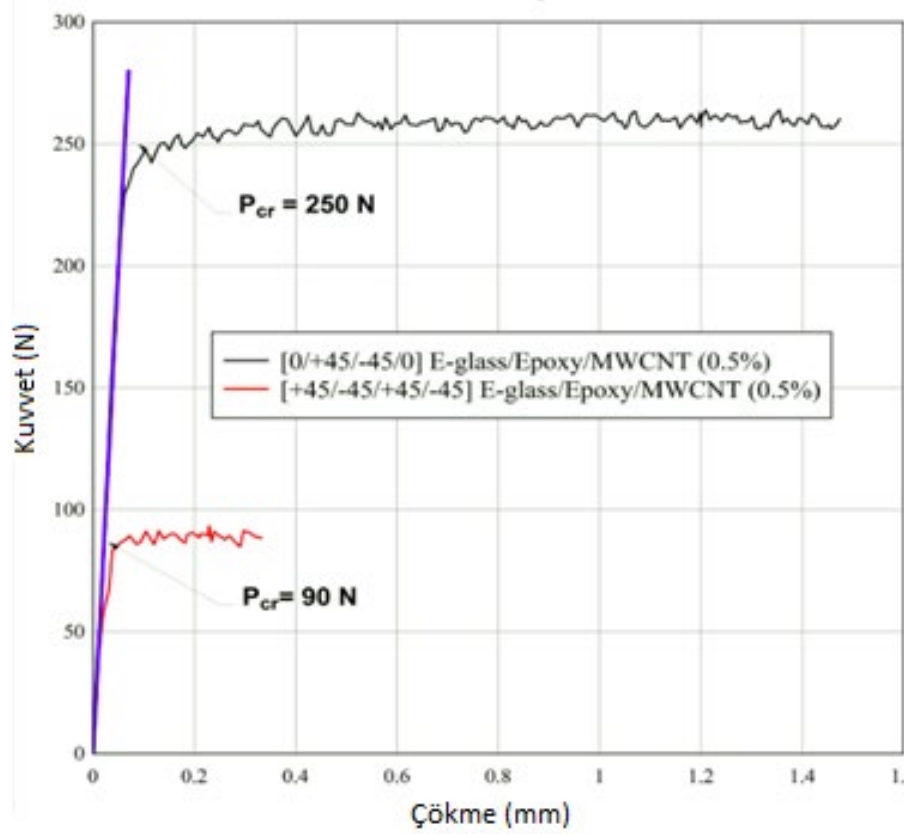
3. BULGULAR

Tabakalı kompozitlerin çekme ve burkulma dayanımını etkileyen birçok faktör vardır bunlar oryantasyon açıları, partikül modifikasyonu, fiber matris ara yüzey bağlarının kalitesi, ortam sıcaklığı v.b sayılabilmektedir. Bu çalışmada iki farklı oryantasyon açılarında kompozit plakanın çekme ve burkulma dayanım değerleri bulunmuştur. Şekil.2'den görüldüğü üzere [+45/-45+45/-45] oryantasyonlu plakanın çekme dayanımı 90 MPa [0/+45/-45/0] oryantasyonlu plakanın çekme dayanımı ise yaklaşık 420 MPa olarak tespit edilmiştir. Yaklaşık 4,5 kat dayanım farkı vardır ikinci plakanın dayanım değerlerinin bu kadar yüksek olmasının nedeni eksenel yönlü (0°)li fiberlerdir. Bu fiberler numunede boydan boya uzandığı için test cihazının çeneleri kapanıp yük uygulandığında yükün büyük bir kısmını bu fiberler karşılamaktadır.



Şekil 2.Çekme dayanımı-yüzde uzama eğrileri.

Şekil 3'de burkulma deney sonuçlarının gösterildiği kuvvet-çökme diyagramı görülmektedir. [+45/-45+45/-45] oryantasyonlu plakanın kritik burkulma dayanımı 90 MPa [0/+45/-45/0] oryantasyonlu plakanın kritik burkulma dayanımı ise yaklaşık 250 N olarak tespit edilmiştir. Yaklaşık 2.7 kat kritik burkulma yükleri arasında fark vardır.Yine dayanım farkının bu denli yüksek olmasının nedeni eksenel yönlü (0°)li fiberlerdir.



Şekil 3. Burkulma dayanımı; kuvvet-çökme diyagramı.

4. TARTIŞMA SONUÇ VE ÖNERİLER

Karbon nanotüpler fiziksel olarak elyaflara saplanarak birer nervürlü inşaat demiri gibi pürüzlü bir yapı oluşturmaktadırlar kimyasal olarak ise reçineye moleküler bağlarla bağlanmaktadır. Reçine ve elyaflar arasındaki ara yüzey bağları ne kadar iyi olursa kuvvet reçineden elyaflara o kadar iyi aktarılmakta ve dolayısıyla kompozit malzemenin dayanımı da o ölçüde artmaktadır. Diğer bir önemli husus ise karbon nanotüplerin reçine içerisinde topaklanma yapmamasıdır. Karbon nanotüpler statik elektriklenme sonucu bir birlerine çekilebilmekte ve reçine içerisinde topaklanarak çentik etkisi ile gerilme yığılmalarına sebep olabilmektedirler. Bu çalışmada karbon nanotüpler mekanik karıştırıldığı için yer yer topaklanmalar gözlemlenmiştir. Bu topaklanmaların giderilmesi veya azaltılması için ultrasonik karıştırma yöntemi önerilebilir.

Sonuç olarak iki farklı oryantasyondaki nanokompozit yapı çekme dayanımı ve burkulma dayanımı açısından karşılaştırılmış ve [0,-45,+45,0] oryantasyonlu plakanın çekme dayanımı 4,5 kat burkulma dayanımı ise 2,7 kat [45,-45,+45,-45] oryantasyonlu plakadan fazla çıkmıştır. Bu kadar dayanım farkının olmasının nedeni [0,-45,+45,0] oryantasyonlu plakadaki 0° yönlü elyaflardır bu elyaflar numunenin iki ucuna kadar uzandıkları için çekme ve burkulma sırasında kuvvetleri üzerlerine alarak yapıda bir bütünlük oluşturmaktadırlar.

5. KAYNAKLAR

[1] Balcıoğlu, H. E. (2012) "Delaminasyonlu tabakalı kompozitlerin yanal burkulması" Yüksek Lisans Tezi, Uşak Üniversitesi Fen Bilimleri Enstitüsü, Makine Mühendisliği Anabilim Dalı.

[2] Hossain, M. K., Chowdhury, M. M. R., Salam, M. B. A., Jahan, N., Malone, J., Hosur, M. V., Jeelani, S., Bolden, N. W. (2015) ‘‘Enhanced mechanical properties of carbon fiber/epoxy composites by incorporating XD-grade carbon nanotube’’. *Journal of Composite Materials*, 49(18), 2251–2263.

[3] Srivastava, V. K. (2012). Modeling and mechanical performance of carbon nanotube/epoxy resin composite. *Materials & Design*, 39, 432-436

[4] Alnefaie, K. A., Aldousari, S. M., Khashaba, U. A. (2013). New development of selfdamping MWCNT composites. *Composites Part A: Applied Science and Manufacturing*, 52, 1–11.

[5] Sayer, M., (2014) ‘‘Elastic properties and buckling load evaluation of ceramic particles filled glass/epoxy composites’’ *Composites: Part B; Engineering* 59, 12-20.

[6] Balbay, A., (2018) ‘‘Kompozit levhaya nano partikül katkısının mekanik ve burkulma özelliklerine etkisinin deneysel olarak araştırılması’’ , Yüksek Lisans Tezi, *Pamukkale Üniversitesi Fen Bilimleri Enstitüsü, Makine Mühendisliği Anabilim Dalı, Denizli.*

[7] Mutlu, H.B., (2020) ‘‘Çok duvarlı karbon nanotüp katkılı tabakalı kompozit malzemelerin burkulma davranışı’’ Yüksek Lisans Tezi, Sivas Cumhuriyet Üniversitesi Fen Bilimleri Enstitüsü, Makine Mühendisliği Anabilim Dalı.

[8] Eskizeybek, V., (2012) ‘‘Yüzeylerine kimyasal olarak karbon nanotüpler bağlanmış örgü cam fiber/epoksi nanokompozitlerin üretimi ve tabakalar arası kırılma davranışlarının incelenmesi’’, Doktora Tezi, *Selçuk Üniversitesi Fen Bilimleri Enstitüsü, Makine Mühendisliği Anabilim Dalı, Konya.*

[9] Gkikas G., Barkoula N.-M., Paipetis A.S. (2012) ‘‘Effect of dispersion conditions on the thermo-mechanical and toughness properties of multi walled carbon nanotubes-reinforced epoxy’’, *Composites: Part B* 43, 2697-2705.

[10] ASTM D3039, (2014) American Society for Testing and Materials.

**MAS INTERNATIONAL EUROPEAN CONFERENCE ON
MATHEMATICS-ENGINEERING-NATURAL & MEDICAL SCIENCES-XII
ZEOLİT KATKILI ORTA YOĞUNLUKLU LEVHALARIN (MDF) MEKANİK
ÖZELLİKLERİ**

Dr. Öğr. Üyesi. Osman ÇAMLİBEL
Kırıkkale Üniversitesi
ORCID: [0000-0002-8766-1316](https://orcid.org/0000-0002-8766-1316)

Özet

Bu çalışmada, zeolit mineralinin orta yoğunlukta lif levha (MDF) üretiminde kullanabilme olanakları araştırılmıştır. MDF üretim hattında odun yongaları, ağaç türüne göre ayrı silolarda depolanmıştır. Yongalar, Andritz defibrilatöründe 7.9 bar buhar basıncı altında 182°C'de 3.5 dakikada pişirilmiştir. Andritz defibrilatöründen sonra, pişen yongalar defibrillatör ünitesi segmentler arasında lif haline getirilmiştir. Üre-formaldehit tutkalı, sertleştirici ve sıvı parafin, blowline hattında liflere ilave edilmiştir. Lifler %11 rutubete kadar kurutulmuştur. Bu çalışma kullanılmak üzere serme istasyondan lifler alınmıştır. Zeolit minerali, 1 m³ orta yoğunlukta liflevhanın lifleri yerine %1.5 (10 kg/m³) oranında ilave edilmiştir. Zeolit katkılı lifler elle ile homojen olarak karıştırılmıştır. Zeolit katkılı lifler kutuda (500x500x400 mm) soğuk olarak preslenmiştir. Laboratuvar tipi tek katlı sıcak preste 195°C sıcaklıkta, 32 kg/cm² basınç ve 300 saniyede MDF levhaları imal edilmiştir. MDF levhaları 500x490x14 mm boyutlarında üretilmiştir. Ham levha depolama alanında 5 gün boyunca soğutulmuştur. Levhalar önce 40 kum ve sonra 80 kum ile zımparalanmıştır. 20±2°C ve %65 ± 5 bağıl nem (RH) koşulları altında kondisyonlanmıştır. Zeolit katkılı levhaların mekanik özellikleri test edilmiştir. Test sonucuna göre mekanik ölçüm mukavemeti artarken (çekme mukavemeti hariç) kontrol levhasına göre azalmıştır.

Anahtar kelimeler: MDF, lif levha, zeolit, mekanik özellikler

**MECHANICAL PROPERTIES OF MEDIUM DENSITY FIBERBOARD WITH ZEOLITE
ADDITIVE**

Abstract

In this study, the utility of the zeolite mineral was investigated in the production of medium-density fiberboard (MDF). In the MDF production line, the chips were stored in separate silos according to kind of tree. The chips were cooked 3.5 minutes during, at 182°C, within 7.9 bar steam pressure in the Andritz defibrillator. After the Andritz defibrillator, chips were produced fibers by defibrillator segments. Urea-formaldehyde glue, hardener and liquid paraffin were added to the system in the blowline. The fibers were dried to moisture of 12%. For this study, Fibers were taken from the mat-forming station. The zeolite mineral was added of proportion of 1.5% (10 kg/m³) instead of in 1 m³ medium density fiberboard fibers. The fibers and zeolites were mixed homogeneous by hands. Zeolite added fibers were pressed in the box (500x500x400 mm) as cold. The kind of laboratory single hot press was manufactured MDF boards which are 195°C temperature, 32 kg / cm² pressure, 300 seconds. The measure of test MDF boards was 500x490x14 mm. The boards were cooled for 5 days at the raw board storage area. The boards were sanded first with 50 grit and then 80 grit. The boards were conditioned 20 ± 2 0C and 65 ± 5% relative humidity (RH) according to the condition. Mechanical properties of zeolite-added boards were tested. According to the test result, mechanical tests increased (excluding tensile strength) compared to the control boards.

Keywords: MDF, fiber board, zeolite, mechanical properties

1. GİRİŞ

Dünya’da mevcut nüfus potansiyeli ve nüfus artışından dolayı; odun hammaddesine olan talebin çok hızlı arttırmaktadır. Son yıllarda teknolojinin gelişmesi sonucu, orta yoğunlukta lif levha (MDF) üretiminde lifsel maddeye içeriğine katkı maddeleri eklenerek hem maliyeti hemde levha kalitesini artırma yöntemine gidilmektedir.

MDF üretim aşamasında, uygun oranlarda lignoselülozik içerikli lifler, inorganik mineraller ve kimyasallar eklenebilmektedir. Üretilen levhaların test mukavemetleri uygulanan standart değerlerin üzerinde levhalar üretilmektedir. Lim vd. (2006) selüloz liflerinin yüzeyini farklı yapı ve boyutlardaki zeolitler ile kaplayarak zeolitin koku giderme üzerindeki etkileri araştırmışlardır. Mishra ve Jain (2011) zeolitin yapı ve kullanım alanlarını araştırmışlardır. Zeolitin uygulama alanları arasında; evsel su arıtma, ticari su arıtma, su yumuşatma, tarım, sanayi ve nükleer atıkların arıtmasında kullanıldığını açıklamışlardır. Zahedsheijani vd. (2011), MDF üretiminde nanoklayın potansiyel kullanımını üzerine araştırmalar yapmıştır. Salari vd. (2012) OSB levha üretimine belli karışım oranlarında nanoklay (%0, %2, %4, %6, %8) ve silikatlar ekleyerek OSB levhasını üretmişlerdir. Üretilen OSB levhaların fiziksel ve mekanik özellikler üzerine çalışmalar yapmışlardır.

İstek vd. (2013), zeolit ve çeşitli yangın geciktirici kimyasallar kullanarak levha yüzeyi kaplanmış orta yoğunlukta lif levhalar üretmişlerdir. Bu levhaların yanma karşı direnç özelliklerini araştırmışlardır. Taghiyari ve Nouri (2015), nano-wollastonit katkılı MDF levhaları üretmişler. Levhaların fiziksel ve mekanik özellikleri üzerinde araştırma yapmışlardır. Kalantarifard vd. (2016) araştırmalarında modifiye zeolit üretmişlerdir. Modifiye edilmiş zeolitin doğal zeolit ile formaldehit tutma kapasiteleri üzerine araştırmalar yapmışlardır. Wang vd. (2016) vermikülit katkılı MDF levhalar üretmişlerdir. MDF levhaların mukavemet testleri, oksijen indeksi (LOI) ve eşzamanlı termal analiz (TG-DSC) özelliklerini araştırmışlardır. Akgül vd. (2017) MDF üretimi sırasında tarımsal bazlı lignoselülozik biyokütle (bamya, tütün, fındık, ceviz kabuğu ve çam kozalakları kullanarak) kullanarak levhalar üretmişlerdir. Bu levhaların (MDF) fiziksel ve mekanik özelliklerini araştırmışlardır. Da Silva vd. (2019) yaptıkları çalışmada ZnO nanopartiküllerini MDF üretiminde kullanmışlardır. MDF levhalarının fizik özelliklerini araştırmıştır.

Solt vd. (2019), formaldehit emisyonunu azaltmak amacıyla, üre formaldehit bazlı farklı özellikte tutkallar kullanmışlardır. Üretim parametrelerine göre yongalevhalar üretmişlerdir. Yongalevhaların teknolojik parametrelere dayalı olarak test mukavemetleri ve formaldehit gaz salınımı üzerine çalışma yapmışlardır. Wang vd. (2019), doğal zeolitin, alkali ve asit oranlarda hidrofilik ve higrofobik etkileri üzerine araştırma yapmışlardır. Dönmez Çavdar (2020) üre formaldehit ve melamin formaldehit tutkallarını bağlayıcı olarak ve zeoliti dolgu minerali olarak (%4, %8, %12) kullanmıştır. MDF levhalarının tutkallara göre zeolitin etki değerlerini araştırmıştır. Dönmez Çavdar vd. (2019), amonyum zeolit ve amonyum fosfatı dolgu katkılı üretilen termoplastik kompozitler yangın geciktirici özelliklerini araştırmışlardır.

Bu çalışmada, zeolitin MDF üretiminde kullanılabilirliği ve levhaların mekanik direncini üzerine etki performansını ölçmek amacıyla araştırma yapılmıştır.

2. MATERYAL VE YÖNTEM

2.1. Hammadde

MAS INTERNATIONAL EUROPEAN CONFERENCE ON MATHEMATICS-ENGINEERING-NATURAL & MEDICAL SCIENCES-XII

Kayın (*Fagus orientalis* L.) ve meşe (*Quercus robur* L) Kastamonu Daday bölgesinden tedarik edilmiştir. Çam ağacı (*Pinus sylvestris* L.) Bolu bölgesinden MDF üretimi amacıyla Kastamonu ilinde faaliyette bulunan Kastamonu Entegre MDF üretim tesislerine getirilmiştir.

2.2. Tutkal

Üre formaldehit tutkalı; Kastamonu organize sanayi bölgesinde faaliyette bulunan MDF fabrikası içinde yer alan Kastamonu Entegre Tutkal Fabrikası'nda 1.17 mol oranında üretilmiştir.

Tutkalın özellikleri ise;

Katı madde: 62 ± 1

Mol oranı (U/F): 1.17

Yoğunluk (20°C) :1.227 g/cm³

Viskozite (250 C cps) :20 -35 sn

Jel time (100°C) (20% (NH₄)₂SO₄): 20 - 45 sn

pH:7 - 8.5

Serbest formaldehit: %0.2

Metilol gruplar: %12 -15

Raf ömrü: 75 gün.

2.3. Sertleştirici

MDF üretiminde, üre formaldehit tutkalın sertleştirilmesinde amonyum sülfat kullanılmıştır. %20 solüsyon olarak hazırlanmıştır. %20'lik amonyum sülfat solüsyonunun özellikleri: yoğunluğu: 0.95 g/cm³, pH: 6.5. İzmit'ten özel bir firmadan amonyum sülfat tedarik edilmiştir.

2.4. Parafin

Parafin kirli beyaz renge sınırdır. Katı madde içeriği %60'dır. pH: 9-10'dur. Viskozitesi ;12-23 sn, yoğunluğu; 0.96 g/cm³'dur. Sıvı parafin Denizli ilinde üretim yapan Mercan Kimya şirketinden tedarik edilmiştir.

2.5. Zeolit

Doğal zeolit-klinoptilolit özelliklerine sahiptir. Kimyasal formülü; Ca,K₂,Na₂,(Mg)₄Al₈Si₄₀O₉₆·24(H₂O)'dir. Etkin gözenek çapı; 4°A'dur. Erime noktası; 1300°C, yoğunluğu; 0.6-0,8 g/cm³ ve partikül boyutu 275 µm'dur. Doğal zeolitler Rota Madencilik Şirketi İzmir bölgesinden tedarik edilmiştir.

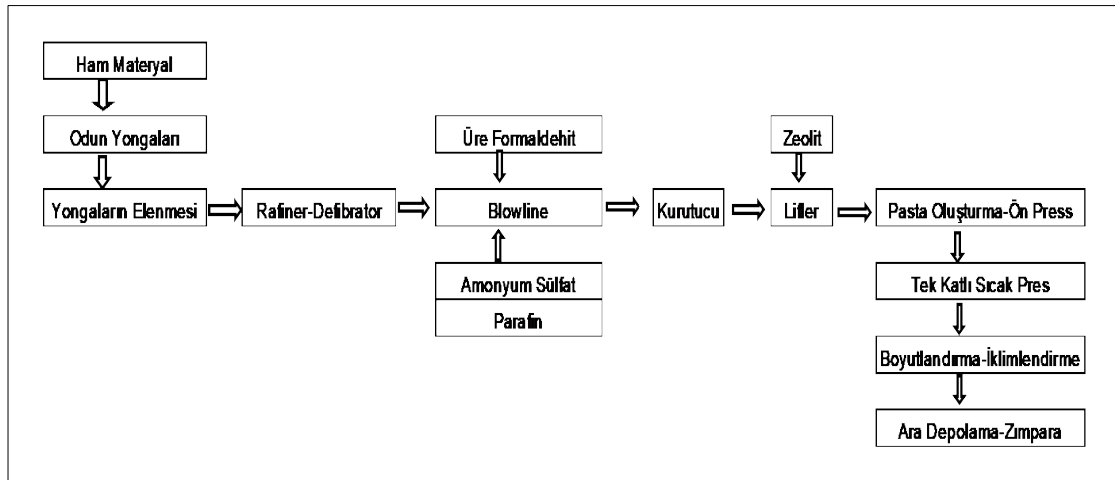
2.6. Üretim parametreleri

Üretim parametreleri; kontrol levhası ve %1.5 zeolit katkılı levha olarak planlanmıştır. Üretimde odun türlerini karışım oranları %70 sert ağaç ve %30 yumuşak ağaç liflerinden oluşmaktadır. Kontrol levhası %100 biokütle (%40 kayın ağacı, %30 meşe ağacı ve %30 çam ağacı) liflerinden üretilmiştir. Kontrol levhası R simgesi ile tanımlanmıştır. R simgesi 1m³ levhalar için tüketilen odun liflerini tanımlamaktadır. %1.5 zeolit katkılı levha Z ile tanımlanmıştır. Z simgesi 1 m³ levha içinde %1.5 oranında 275 µm zeolit miktarını tanımlamaktadır. 1.17 mol üre formaldehit tutkalı kullanılmıştır. %20'lik solüsyon halinde amonyum sülfat sertleştirici olarak kullanılmıştır. 0.95 g/cm³ sıvı parafin ilave edilmiştir.

2.7. MDF levhalarının üretimi

MDF üretiminde, %40 kayın ağacı, %30 meşe ağacı ve %30 çam ağacı hammadde olarak kullanılmıştır. Ağaçlar yongalama ünitesinde türlerine göre yongalanmıştır. Yongalar üretim parametreleri göre yonga silolarında yonga türlerine göre silolarda depolanmıştır. Üretim parametrelerine göre yongalarını silo çıkışında karışımlar ayarlanmıştır. Karışım yongaların içindeki standart dışı olanlar roller screen sisteminde elenmiştir. Yongalar Andritz Rafiner ve defibrilatör ünitesinde 7.9 bar buhar basıncı altında 182°C ve 3.5 dakikada pişirilmiştir. Rafiner çıkışında segmentler arasında pişirilen yongalar lif haline dönüştürülmüştür. Blowline hattında ilk önce sıvı parafin sonra amonyum sülfat sertleştiricisi en sonunda üre formaldehit tutkalı lifler verilmiştir. Kurutulmuş odun liflerine göre ağırlıkça %11 üre formaldehit, sertleştirici ağırlıkça %0.72 ve parafin ağırlıkça %1.8 oranında ilave edilmiştir. Lifler %11 rutubete kadar kurutucuda kurutulmuştur. %11 rutubete seviyesinde kurutulan lifler serme istasyonundan alınmıştır.

İlk olarak doğal lifler 500x500x400 mm ölçülerindeki kutu içinde soğuk olarak preslenmiştir. İkinci olarak %1.5 zeolit oranında liflere homejen karıştırılmıştır. Zeolit ilaveli lifler (Z) kutu içinde soğuk presleme uygulanmıştır. Oluşturulan pastalar laboratuvar tipi tek katlı sıcak preste 195°C sıcaklıkta, 32 kg/cm² basınç ve 300 saniyede içinde kontrol ve zeolit katkılı MDF levhaların her biri için 5'er adet üretilmiştir. MDF levhaları ölçüleri 500x490x14 mm'dir. Levhalar 5 gün boyunca ham levha stok alanında bekletilmiştir. 5. günün sonunda levhaları alt ve üst yüzeyi 40 kum ve 80 kum el zımpara makinesi ile zımpara edilmiştir. Tüm levhalar ISO 554'e (1976) göre 20 ± 2°C ve %65 ± 5 bağıl nem altında kondisyonlanmıştır. Şekil 1'de MDF levhalarının üretim iş akışı görülmektedir.



Şekil. 1. MDF levhalarının üretim iş akışı

2.8. Test Metodları

2.8.1. Mekanik testler

Zeolitli MDF levhalarının özelliklerini belirlemek için ISO 9424 (2003) ve TS EN 326-1 (1999) standartlarına göre kesme ve boyutlandırma işlemleri gerçekleştirilmiştir. Mekanik test grubuna dahil olan eğilme mukavemeti TS EN 310 (1993), elastikiyet modülü TS EN 310 (1993) ve çekme mukavemeti TS EN 319 (1993) testleri yapılmıştır. Mekanik testler İmal Mobiltemp shc 22, model IB700 (San Damaso, İtalya) test makinesinde ölçümü gerçekleştirilmiştir.

2.9. İstatistiksel analiz

Ölçülen R ve Z levhaların tüm değişkenlerin ortalama değerlerindeki farkları test etmek için bağımsız örnek testlerden t- testi (t-test for Equality of Means) için varyans analizi yapılmıştır. R ve Z levha test sonuçları arasındaki ilişkiyi araştırmak için doğrusal regresyon ($p < 0.05$) uygulandı. Verilerin istatistiksel analizinde SPSS 22 paket programı kullanılarak yapıldı. t- testindeki farklılıkları tespit etmek için, Mann-Whitney U testi ile farklılıklar araştırıldı. SSPS yazılım paket programı uygulandı. (IBM şirketi, ABD)

3. BULGULAR VE TARTIŞMA

3.1. Mekanik özellikler

Kontrol ve zeolit katkılı MDF levhaların mekanik özelliklerine (eğilme mukavemeti, eğilmede elastikiyet modül, çekme mukavemeti) istatistiki t- testi (t-test for equality of means) varyans analizi yapılmıştır.

3.1.1. Eğilme dayanımı testinin sonuçları (MOR)

Eğilme dayanımı testinin kontrol ve zeolit katkılı levhaların eğilme mukavemeti karşılaştırması için yapılan istatistiki t-testi sonrasında kontrol ve zeolit katkılı levhaların birbirinden farklı olmadığı (varyanslar homojen) bulunmuştur. Sonuçlar Tablo 1'de gösterilmiştir istatistiki sonuçlara göre ($t_{0.05;8}=-551$) bulunmuştur. Buna göre zeolit katkılı levhasının eğilme mukavemeti ($X=30.37$) ve kontrol levhanın eğilme mukavemeti ($X=30.83$) daha yüksek çıkmıştır. Z levhasının eğilme mukavemeti R levhasına göre %1.66 artmıştır. Eğilme mukavemeti sonuçlar TS EN 310 (1993) standart değerinin üzerindedir. %1.5 oranında katılan zeolit MDF levhalarında eğilme mukavemetini artırmıştır. Ozyhar vd. (2020), MDF üretimi üzerine öğütülmüş kalsiyum karbonat (GCC) dolgu ilavesi üzerine bir çalışma gerçekleştirmiş. Çalışmaya sonucunda 550,700 ve 850 yoğunluk panellerinin verilerine göre dolgu miktarı arttıkça eğilme mukavemeti azaldığını ifade etmiştir.

Tablo 1. Kontrol ve zeolit katkılı levhaların eğilme mukavemeti sonuçlarının istatistiki verileri

Levhalar		M	SD	SEM	t	df	p
Eğilme Mukavemeti (N/mm ²)	R	30.324	1.418	0.634	0.551	8	0.597
	Z	30.830	1.485	0.664			

M: Numunelerin ortalama değeri, SD standart sapma, SEM standart hata ortalaması, %95 güven aralığında t- testi yapılmıştır.

3.1.2. Eğilmede elastikiyet modülü sonuçları (MOR)

Eğilmede elastikiyet modülünün kontrol ve zeolit katkılı levhaların eğilmede elastikiyet modülü karşılaştırması için yapılan istatistiki t-testi sonrasında kontrol ve zeolit katkılı levhaların birbirinden farklı olmadığı (varyanslar homojen) bulunmuştur. Sonuçlar Tablo 2'de gösterilmiştir istatistiki sonuçlara göre $t_{0.05;8}=-2.316$ bulunmuştur. Buna göre zeolit katkılı levhasının eğilme elastikiyet modülü ($X=3281.77$) ve kontrol levhanın eğilme elastikiyet modülü ($X=3214.56$) daha yüksek çıkmıştır. MDF üretiminde %1.5 zeolit kullanımına bağlı olarak Z levhasının eğilme mukavemeti R levhasına göre %2.09 artmıştır. Fakat Wang vd. (2016) vermikülit minerali kullanarak ürettiği MDF levhalarının içeriğindeki mineral miktarı arttıkça eğilme elastikiyet mukavemeti azaldığını açıklamışlardır.

Tablo 2. Kontrol ve zeolit katkılı levhaların eğilmede elastikiyet modülü sonuçlarının istatistikî verileri

Levhalar		M	SD	SEM	t	df	p
Eğilme elastikiyet modülü (N/mm ²)	R	3214.560	59.463	26.593	2.316	8	0.049
	Z	3281.776	25.989	11.622			

M: Numunelerin ortalama değeri, SD standart sapma, SEM standart hata ortalaması, %95 güven aralığında t- testi yapılmıştır.

3.1.3. Çekme mukavemeti test sonuçları (IB)

Çekme mukavemeti kontrol ve zeolit katkılı levhaların çekme mukavemeti karşılaştırması için yapılan istatistikî t-testi sonrasında kontrol ve zeolit katkılı levhaların birbirinden farklı olmadığı (varyanslar homojen) bulunmuştur. Sonuçlar Tablo 3'de gösterilmiş ve istatistikî sonuçlara göre $t_{0.05;8}=2.697$ bulunmuştur. Buna göre kontrol levhasının çekme mukavemeti ($X=0.630$) ve zeolit katkılı levhanın çekme mukavemeti ($X=0.590$) daha yüksek çıkmıştır. Zeolit levhada çekme direncini düşürmüştür. Z levhasının çekme mukavemeti R levhasına göre %6.06 azalmıştır. Wang vd. (2016) vermikülit minerali kullanarak ürettiği MDF levhalarının içeriğindeki mineral miktarı artıka çekme mukavemeti azaldığını göstermişlerdir. Camlıbel ve Akgül (2020) kalsit katkılı MDF levhalarında dolgu miktarı artıka levhanın çekme değerini azaldığını göstermişlerdir.

Tablo 3. Kontrol ve zeolit katkılı levhaların eğilmede elastikiyet modülü sonuçlarının istatistikî verileri

Levhalar		M	SD	SEM	t	df	p
Çekme Mukavemeti (N/mm ²)	R	0.630	0.016	0.007	2.697	8	0.027
	Z	0.590	0.029	0.013			

M: Numunelerin ortalama değeri, SD standart sapma, SEM standart hata ortalaması, %95 güven aralığında t- testi yapılmıştır.

4. SONUÇ VE ÖNERİLER

MDF'ye zeolit eklenmesi mekanik test sonuçlarından eğilme mukavemeti ve eğilmede elastikiyet modülünde kontrol levhasına göre artış sağlamıştır. MDF levhasına zeolit eklenmesi lifler arası bağ yapabilme kabiliyetini azalmaktadır. Lifler arası bağın azalması levhada çekme mukavemeti düşürmüştür. Test sonuçları (kontrol levhası ile zeolit katkılı levha) birbirine yakındır.

%1.5 zeolite katkılı MDF levhalarının mekanik testlerden eğilme mukavemetinde %1.66 oranında kontrol levhasına göre artmıştır. Eğilmede elastikiyet modülü %2.09 oranında kontrol levhasına göre artmıştır. Zeolit inorganik minerali MDF levhalarının mekanik dirençlerine olumlu etki etmiştir.

%1.5 zeolit eklenmesi lifler arası bağlanma kabiliyetini etkilediği için %6.06 oranında çekme mukavemeti azalmıştır. MDF üretiminde zeolit mineralleri mekanik değerlerde optimum performansı sağlayan oranında kullanılması önerilir.

KAYNAKLAR

[1] Akgül M, Uner B, Çamlıbel O, Ayata Ü 2017. “Manufacture of medium density fiberboard (MDF) panels from agribased lignocellulosic Biomass,” *Wood Research* 62(4), 615-624.

[2] Camlıbel O, Akgül M 2020. Mechanical and Physical Properties of Medium Density Fiberboard with Calcite Addictive. *Wood Research* 65 (2), 231-244.

[3] Da Silva A P S, Ferreira B. S, Favarim H. R, Silva M F F, Silva J V F, Azambuja M A, Campos C I 2019. “Physical properties of medium density fiberboard produced with the addition of ZnO nanoparticles,” *BioResources* 14(1), 1618-1625. DOI: 10.15376/biores.14.1.1618-1625

[4] Dönmez Çavdar A 2020. “Effect of zeolite filler in medium density fiberboards bonded with urea formaldehyde and melamine formaldehyde resins,” *Journal of Building Engineering* 27, Article ID 101000. DOI: 10.1016/j.job.2019.101000

[5] Dönmez Çavdar, A., Boran Torun, S., Ertas, M., and Mengelöglu, F., 2019. “Ammonium zeolite and ammonium phosphate applied as fire retardants for microcrystalline cellulose filled thermoplastic composites,” *Fire Safety Journal* 107, 202-209. DOI: 10.1016/j.firesaf.2018.11.008

[6] TS EN 310 1993. “Ahşap esaslı levhalar-Eğilme dayanımı ve eğilme elastikiyet modülünün tayini,” TSE, Ankara.

[7] TS EN 319 1993. “Yonga levhalar ve lif levhalar-Levha yüzeyine dik çekme dayanımının tayini,” TSE, Ankara.

[8] TS EN 622-5 2009. “Fibreboards—Specifications—Part 5: Requirements for dry process boards (MDF),” European Committee for Standardization, Turkish Standards Institution, Ankara, Turkey

[9] ISO 554 1976. “Standard atmospheres for conditioning and/or testing—Specifications,” International Organization for Standardization, Geneva, Switzerland.

[10] ISO 9424 2003. “Wood-based panels—Determination of dimensions of test pieces,” International Organization for Standardization, Geneva, Switzerland.

[11] ISO 12460-3 2015. “Wood-based panels—Determinations of formaldehyde release—Part 3: Gas analysis method,” International Organization for Standardization, Geneva, Switzerland.

[12] İstek A, Aydemir D, Eroğlu H 2013. “Combustion properties of medium-density fiberboards coated by a mixture of calcite and various fire retardants,” *Turkish Journal of Agricultural and Forestry* 37, 642-648. DOI: 10.3906/tar-1206-37

[13] Kalantarifard A, Gon J G, Yang G S 2016. “Formaldehyde adsorption into clinoptilolite zeolite modified with the addition of rich materials and desorption performance using microwave heating,” *Terrestrial Atmospheric and Oceanic Sciences* 27(6), 865-875. DOI: 10.3319/TAO.2016.05.28.01(TT)

[14] Lim H M, Jung JS, Kim B Y, Lee SH 2006. “Application of zeolites on cellulose fiber,” *Key Engineering Materials* 317-318, 777-780. DOI: 10.4028/www.scientific.net/KEM.317-318.777

[15] Mishra M, Jain S K 2011. “Properties and applications of zeolites: A review,” *Proceedings of the National Academy of Sciences, India - Section B: Biological Sciences* 81, 250-259.

[16] Ozyhar T, Depnering T, Ridgway C, Welker M, Schoelkopf J, Mayer I, Thoemen H 2020. “Utilization of inorganic mineral filler material as partial replacement for wood fiber in

medium density fiberboard (MDF) and its effect on material properties,” *European Journal of Wood and Wood Products* 78, 75-84. DOI: 10.1007/s00107-019-01480-1

[17] Salari A, Tabarsa T, Khazaeian A, Saraeian A 2012. “Effect of nanoclay on some applied properties of oriented strand board (OSB) made from underutilized low-quality paulownia (*Paulownia fortunei*) wood,” *Journal of Wood Science* 58(6), 513-524. DOI: 10.1007/s10086-012-1278-2

[18] Solt P, Konnerth J, Gindl-Altmutter W, Kantner W, Moser J, Mitter R, Van Herwijnen H W G 2019. “Technological performance of formaldehyde-free adhesive alternatives for particleboard industry,” *International Journal of Adhesion and Adhesives* 94, 99-131. DOI: 10.1016/j.ijadhadh.2019.04.007

[19] Taghiyari H R, Nouri P 2015. “Effects of nano-wollastonite on physical and mechanical properties of medium-density fiberboard,” *Maderas. Ciencia y Tecnología* 17(4), 833-842. DOI: 10.4067/S0718-221X2015005000072

[20] TS EN 326-1 1999. “Wood-based panels—Sampling, cutting and inspection—Part 1: Sampling test pieces and expression of test results,” TSE, Ankara.

[21] Wang C, Leng S, Guo H, Cao L, Huang J 2019. “Acid and alkali treatments for regulation of hydrophilicity/hydrophobicity of natural zeolite,” *Applied Surface Science* 478, 319-326. DOI: 10.1016/j.apsusc.2019.01.263

[22] Wang J, Wang F, Gao Z, Zheng M, Sun J 2016. “Flame retardant medium-density fiberboard with expanded vermiculite,” *Bioresources* 11(3), 6940-6947.

[23] Xing C, Zhang S Y, Deng J, Riedl B, Cloutier A 2006. “Medium-density fiberboard performance as affected by wood fiber acidity, bulk density, and size distribution,” *Wood Science and Technology* 40, 637-646. DOI: 10.1007/s00226-006-0076-7

[24] Zahedsheijani R, Gholamiyan H, Tarmian A, Yousefi H 2011. “Mass transfer in medium density fiberboard (MDF) modified by Na⁺ montmorillonite (Na⁺Mmt) nanoclay,” *Maderas. Ciencia y Tecnología* 13(2), 163-172. DOI: 10.4067/S0718-221X2011000200004

**MAS INTERNATIONAL EUROPEAN CONFERENCE ON
MATHEMATICS-ENGINEERING-NATURAL & MEDICAL SCIENCES-XII
ACOUSTIC WAVE PROPAGATION IN TWO PERIODIC EXPANSION
CHAMBERS**

Mohamed El Malki

Mohammed First University, Oujda, Morocco

Abstract

This work presents a study of a periodic structure formed by two different expansion chambers grafted periodically in the main waveguide. This kind of structures is often used for noise reduction especially in engineering such as car exhausts. The objective is to investigate the acoustic attenuation performance of the studied system by developing analytical expressions. The present work focuses on the acoustic characteristics of wave transmission across the entire network. The problem has been examined using transfer matrix and Green's function method. The effect of the discontinuity between two waveguide is not taken account. We mainly use one-dimensional geometry and we use plane wave assumption to analyze the acoustic performances of the periodic structure. In this case, only the acoustics plane mode, common to different geometries, can be propagated and the shape of the geometry is not important. The effect of different parameters of the expansion chambers such as the widths and the sections was analyzed. The numerical results show that band-gaps are very sensitive to this parameters.

Keywords:Expansion chambers, Acoustic attenuation, transfer matrix, Green's function, band structure.

**ECONOMICS OF EFFICIENT ELECTRICITY GENERATION AND
DESALINATION BY SMALL MODULAR REACTOR**

**Parth Prajapati¹,
Vishal Dhakane²,
Manish Kumar²**

¹NIRMA University, Ahmedabad Gujarat (INDIA)

²Pandit Deendayal Petroleum University, Ahmedabad Gujarat (INDIA)

Abstract

The basic aim of the Small Modular Reactor (SMR) is to enhance the safety and security of nuclear reactor. So nuclear power can use in other peaceful purpose. SMR technology offer clean combustion energy which makes it more sustainable, economical and safer compare to other renewable energy for desalination. In this way it will be more efficient, innovative and economical coupling scheme utilizes membrane processes and innovative distillation processes. In response to the need to transition from fossil fuels, countries across the region have proposed plans to invest in nuclear and solar energy to meet the growing demand for electricity and desalination of water. The modern small furnaces for power generation, especially SMRs are simple in design. Therefore, it has short construction time and infrastructure costs. In future, it will use in large scale due to many benefits such as electricity and cost-effective insurance against the price increases of the electricity, and environmental sustainability. This paper is explaining the economic model of desalination and efficient electricity generation using SMR reactor.

Keywords: SMR, HTGR, Desalination, Nuclear, Multi-effect distillation (MED), Multi-stage flash (MSF), RO

1. INTRODUCTION

Many countries focus on the development of small modular reactors, is also called advanced reactors that produce up to 300 MWe per module [1]. These reactors have advanced engineering functions stored as single or multi-module plants manufactured in factories, and demand for communications is sent due to increased demand. Is there Due to their ability to meet the need for creation of application capabilities for user power and change, increase the amount of small and small levels or modes that he has built. They show good security relationships as well as safe and safe safeguards provide proper financial and proper funding for the rights and needs of the rights [3]. In addition, they provide options for online remedies and remote technologies for online management systems that combine global technologies and other technologies, such as solar technologies. Due to their size and scalability, SMR can be fully integrated with the module and the Module is installed in the factory, and enhances the quality and efficiency of the structure [6][7]. Usually little and their passive security has little experience with small networks and nuclear power countries. The size, effectiveness and structure of the passive security system (requiring less humidity) can lead to easy cash compared with larger plants. Additionally, the success of "mass production benefits" for the SMR project specifically reduces the cost. There are many SMR projects ranging from small versions of existing nuclear power structures to IV generations, all two neutron proposals for thermal and fast walnut installations. VHTR is a high temperature reactor that can ideally lead to high temperatures (up to 1000 ° C). However, the current term "VHTR" is generally considered to be a refrigerated air reactor, usually a "HTGR"

high temperature gas cooled reactor [2]. The neutron and physical installations of thermal heaters BN-VT 600 MW thermal inputs show the possibility of achieving basically the required parameters for high temperature reactor fast to produce large amounts of hydrogen with base, high thermal chemical cycle or high temperature hydrolysis with high thermal efficiency electricity consumption [2]. A relatively small dimension, coolant type, choice of diffuse material and building materials enable growth reactors with certain intrinsic features (blocking jets forcing direct neutron reactors, decay heat removal in a passive way) [3].

The BN-VT reactor synthesis includes a fast-cooling sodium reactor, three cooling loops for emergency heat removal, and three secondary cooling loop equipment for heat transfer from the reactor to production plants hydrogen production or to a desalination unit. The composition of each of the cooling loops comprises a heat exchanger intermediate located in the reactor vessel, a centrifugal pump and a manifold for removing and reintroducing sodium into the reactor core. Modern requirements for the safety and economic performance of future generations of nuclear reactors have been taken into account in the development of the reactor under consideration. Applied design studies have shown that the penetration of hydrogen within accepted tolerances has virtually no effect on neutron parameters and reactor safety. The solution to the problem of fuel needle stability has been mitigated by the choice of a low thermal load on fuel needles. The use of EP-912-VD steel as an optional building material was examined

1.1. Desalination with SMR

Desalination of water in the combination of nuclear energy (SMR). Desalination as a whole is now becoming a very important option for water supply, especially in these scarce, dry and rich energy and resources in freshwater resource areas in the world and specially Middle East countries [8]. This technology gives people a new opportunity to solve the problem of water scarcity. Although this technology still has some problems, but because of the benefits and trends of developing their own desalination technology, we believe desalination will have a bright future. This technology will play a more important role in the future [3].

1.2 Multi-stage flash (MSF)

The separation of water or salt from a saline solution is a thermodynamic process that requires energy. An ideal desalting process is considered as a separation process with a constant recirculation flow, in which the same temperature and pressure are used at the inlet and outlet as in the current environment where heat and / or work is used [9]. The minimum operating requirement is about 0.7 kWh / m³ for brine production of 35,000 ppm with zero capture, taking into account full thermodynamic scalability. In practice, the desalination process is far from overturned. Supplied heat and / or operating power in the outlet at different pressures and temperatures from the feed stream. Recovery methods help to reduce inconsistency problems. However, the most efficient deposition technology has a comparable energy demand of 4–5 kW (e) · h / m³. About 60% of the global desalting capacity is accounted for by MSF plants [9]. This is one of the main deposition processes due to its ease of use, proven performance and availability of the structure and standard equipment. This is beneficial in a wide power range where thermal energy is available in the form of low-pressure steam [10]. The world's largest operating depot, located in the Al Jubail complex, phase II, Saudi Arabia, is based on the MSF process and produces about 0.9 million m³ / day of water obtained from sea water [2][3].

1.3 Reverse osmosis

Reverse osmosis (RO) is a membrane pressure process, driven by the use of semi permeable membranes, which prefer salt penetration. Osmosis is a natural phenomenon in which water flows through semi-permeable membranes from a liquid to a concentrated solution. Osmotic balance is achieved when the osmotic flow stops only when using pressure in the part with high soluble concentration. The same pressure is called osmotic pressure. When the pressure of salt water is higher than the osmotic pressure, pure water is passed through the semi permeable membranes, leaving a dense stream behind. The mechanism of water penetration through semi permeable membranes into RO is associated with membrane and morphological chemical properties. Typically, the osmotic pressure of a sodium chloride solution (expressed in pounds per square inch) is 1% of the salt concentration (expressed in parts per million). The performance of a RO [4] plant is estimated in terms of extraction efficiency; permeate flux, and percent salt rejection. Recovery factor is the ratio of the permeate flow rate to the seawater feed rate. The permeate flow is the permeate flow rate through the membrane unit. The percentage deviation of salt is $\% SR = (Chp - Clp) / Chp \times 100$

2. ECONOMICS OF WATER DESALINATION BY NUCLEAR POWER PLANT

2.1 Combined RO with Distillation Process

Integrating MSF and RO or RO and RO [4] systems in the same place makes it possible to reduce costs and meet different water quality requirements of a product when an industrial enterprise is part of the customer base [5]. Ideal applications are applications with precise demand for two types of aquatic products, such as process water with very low TDS for industrial use and simple water TDS for municipal use. Part of the water produced in refineries can be used as process water where high purity is required. The remaining water can be mixed with water products with a high RO content for other purposes. Depending on the type of water quality requirements, different mixing rates can be achieved [2].

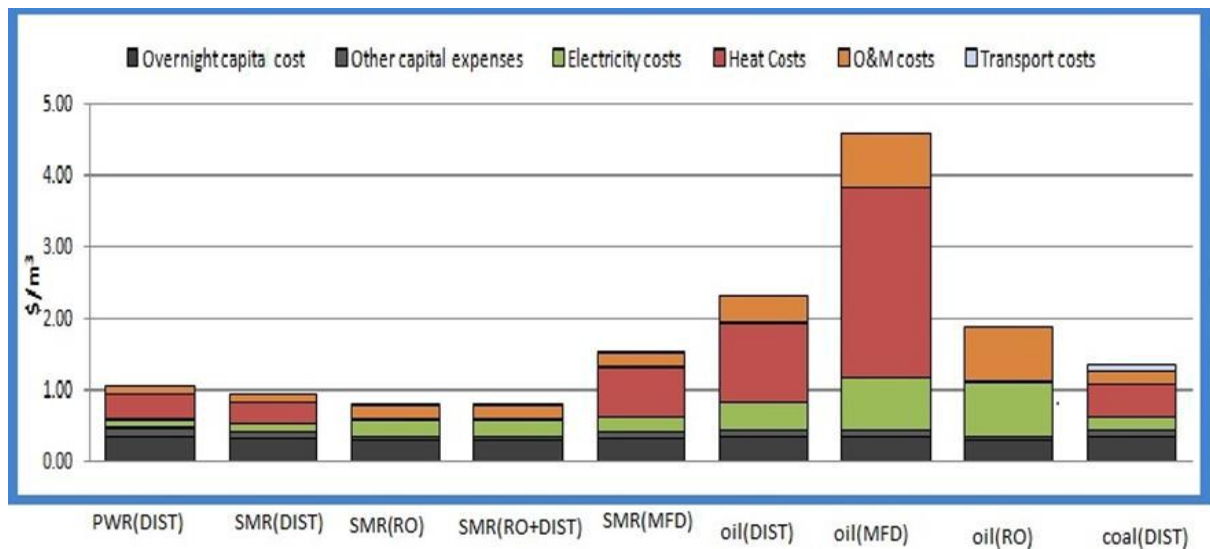


Fig. 1. The effect of process on water cost

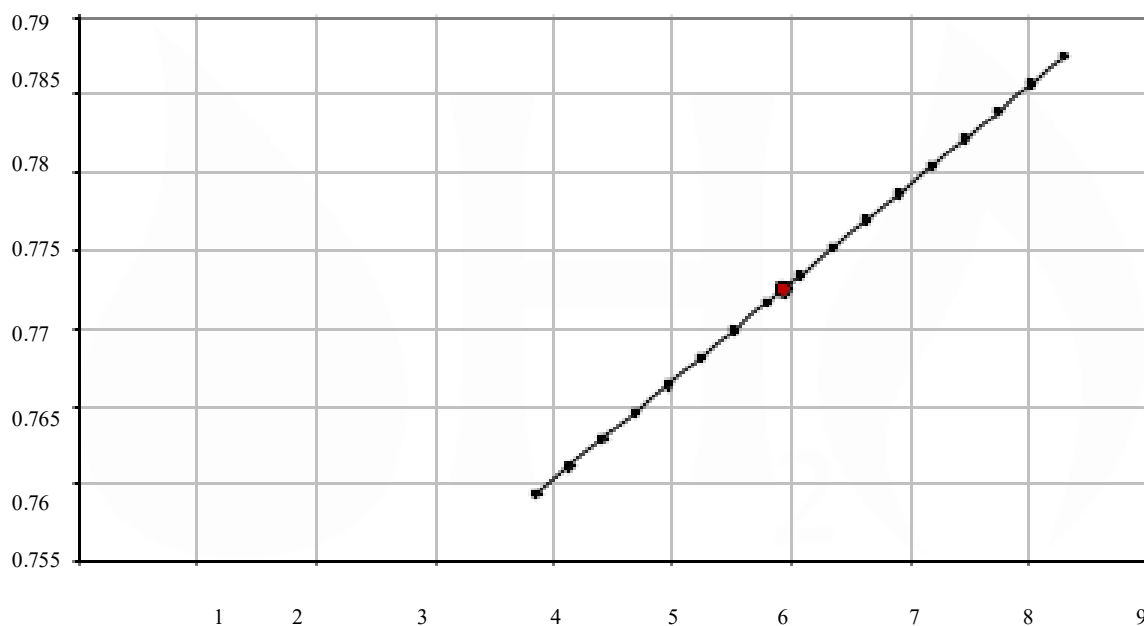


Fig. 3. Water cost vs. specific fuel cost (\$/MWh)

In Fig. no. 3 and 4 we are graphically represented the costing of desalinated water, fig no. 3 is described as water cost against the fuel cost, all other fuels cannot archive the amount of energy will be given by the nuclear fuel and is much cheaper than the others in graph red dot is give the info of desalined water cost about 0.77\$ is the major achievement and only possible by the nuclear energy.

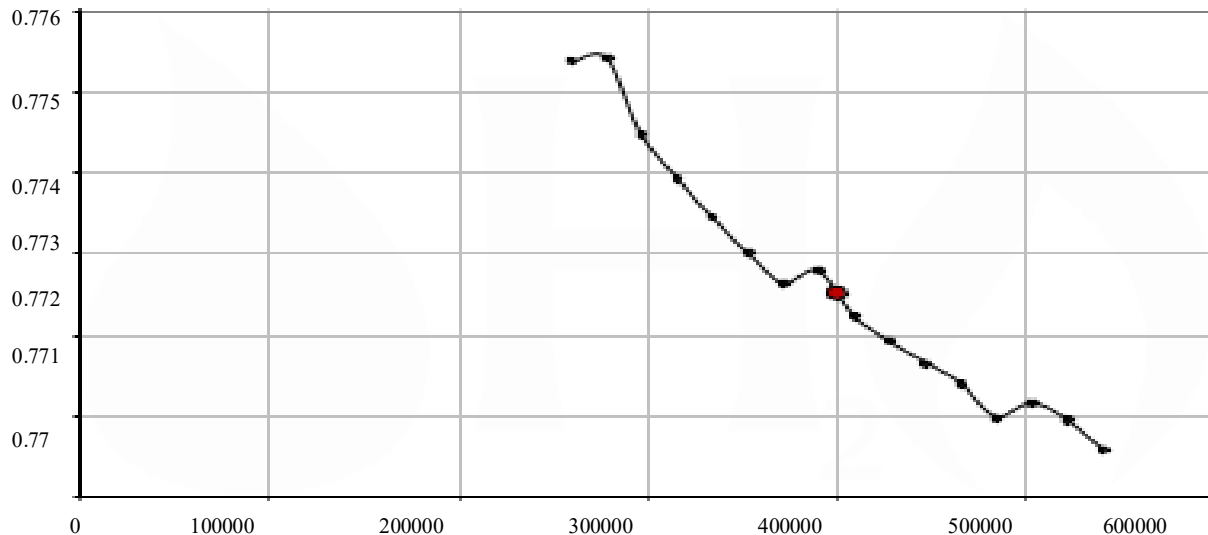


Fig. 4. Water cost (\$) vs. water capacity (m³/d)

In fig no. 4 with increasing water capacity the cost of desalinated water Is decrease and we are calculating the all plant operations and their costs according to plant desalination capacity is 40000 m³ /day.The table number 1 to 4 containing proposed power plant (SMR) and estimated capital cost, operating cost and desalination plant.

**MAS INTERNATIONAL EUROPEAN CONFERENCE ON
MATHEMATICS-ENGINEERING-NATURAL & MEDICAL SCIENCES-XII**

Table 1. Power Plant (SMR)

Type	Steam Cycle – Nuclear
Thermal Output	1200 MW (th)
Electricity Output	384 MW (e)
Site Specific Electricity Production	2477 GWh/yr
Availability	90%

Table 2. Capital Cost of Power Plant

	Total (M\$)	Specific (\$/kW)	Share
Overnight EPC costs	1,536	4,000	72%
Owners costs	154	400	7%
Contingency cost	-	-	0%
Interest during Construction	219	571	10%
Decommissioning Costs	230	600	11%
Total Capital Costs	2,139	5,571	
Annualized Capital Costs	113	294	
Sp. Annualized Capital Costs	0.046		

Table 3. Operating Cost of Power Plant

	Total (M\$)	Specific (\$/kW)	Share
Fuel Costs	30	0.012	59%
Operating and Maintenance costs	22	0.009	41%
Carbon Tax	-	-	0%
Annual Operating Costs	52	0.021	
TOTAL ANNUAL COST		165 M\$	
POWER COST		0.067 \$/kWh	

Table 4. Desalination Plant

Type	MED RO	
Total Capacity	400000 m ³ /d	MED: 0 m³/d, RO: 400000
Feed Salinity	35000 ppm	
Combined Availability	81%	
Water Production	131.40 M m ³ /yr	
Power Lost	0.0 MW (e)	
Power Used for desalination	56 MW (e)	

2.2 Economics of nuclear desalination plant (SMR desalination)

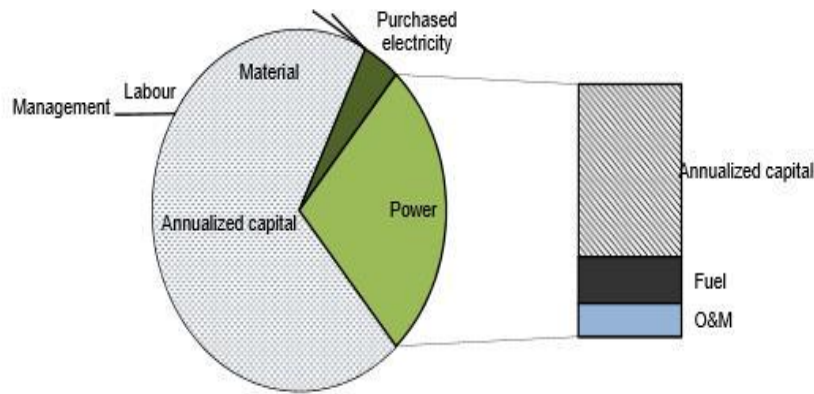


Fig.5 cumulative cash flow per year

When consider any process first of all consider their economics and those are viable process that is a first selection of entrepreneur [10] in fig no. 5 divide the all cost that can prove the electricity is cheap and it can be cheaper if we utilize waste heat as wealth it not a waste. Power cost is less in SMR because it small so capital cost is less so the capital cost is described in table no. 5

Table 5. Capital Cost of Desalination Plant

	MED	RO	Total (MS)	Specific (\$/m3)	Share
Construction Cost	-	471	471	1,177	80%
Intermediate Loop Cost	-	-	-	-	0%
Backup Heat Source	-	-	-	-	0%
In fall/Outfall Cost	-	-	31	77	5%
Water Plant Owners Cost	-	24	24	59	4%
Water Plant Contingency Cost	-	49	49	124	8%
Interest During Construction	-	13	13	34	2%
Total Capital Costs	-	557	588	1,470	
Annualized Capital Cost	-		45		
Sp. Annualized Capital Cost	-			0.34	

Table 6. Operating Cost of Desalination Plant

	MEDRO	Total (MS)	Specific (\$/m3)	Share
Energy Cost				
Heat Cost	-	-	-	0%
Backup Heat Cost	-	-	-	0%
Electricity Cost	-	26.8	0.20	47%
Purchased Electricity Cost	-4.0	4.0	0.03	7%
Total Energy Cost	-31	31	0.23	54%

**MAS INTERNATIONAL EUROPEAN CONFERENCE ON
MATHEMATICS-ENGINEERING-NATURAL & MEDICAL SCIENCES-XII**

Operation and Maintenance Cost	-			0%
Management Cost	--	0.40	0.00	1%
Labour Cost	--	1.19	0.01	2%
Material Cost	-21.73	21.7	0.17	38%
Insurance Cost	-2.72	2.70	0.02	5%
Total O&M Cost	-24	26	0.20	48%
Total Operating Cost	-55	57	0.43	
Total Annual Cost	-			101.51 M\$
Water Production Cost	-			0.773 \$/m ³
Water Transportation Cost	-			- \$/m
Total Water Cost	-	0.773\$/m ³		

Table no 5 give the total cost of the plant is up to 1,470 \$/m³ which is more and less same in comparison to other process but the difference is table no 6 is operating cost is 101.51M\$ which is lowest operating price in comparison to other process so water cost of desalination is drastically reduce and it becomes 0.773\$/m³ and this cost is again reduce because of SMR

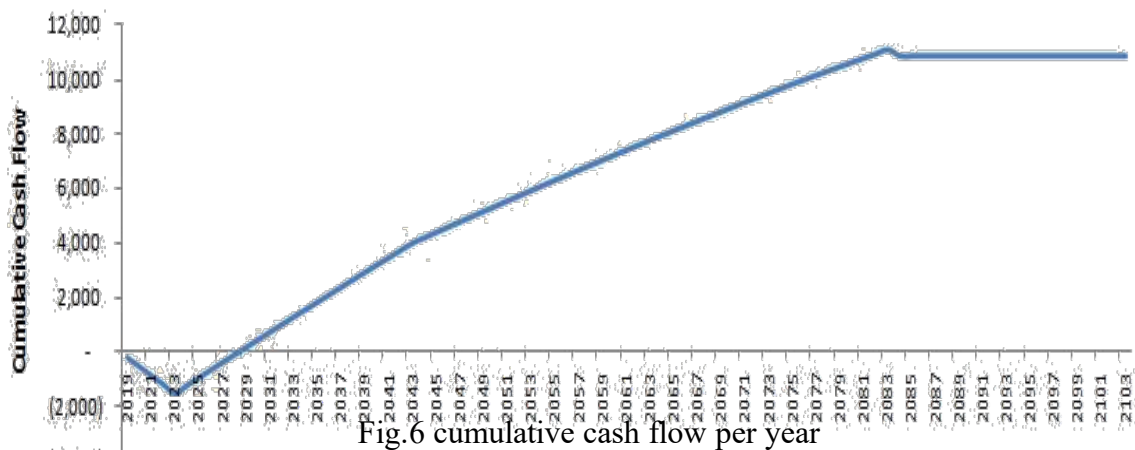


Fig.6 cumulative cash flow per year

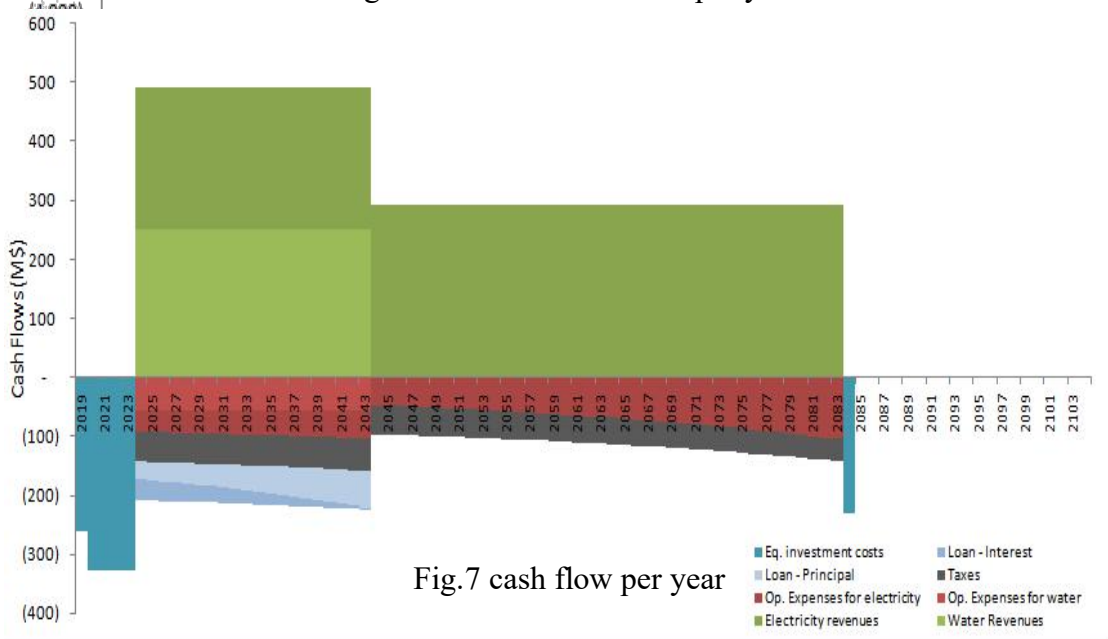


Fig.7 cash flow per year

In fig no. 6 and 7 which gives the accounting of the hole process and this can be decide the life of the process plant , in our consideration if plant is ready and critical 2019 then it can be run and add the additional process cost investment up to 200M\$ up to 2023 after that the plant gives the profit from 2029 here total capital cost of plant is recovered and now the plant become in profit up to 500M\$ in year 2033 after that the constant profit gain by the plant.

3. CONCLUSIONS

The appropriate nuclear reactor system (combines better security features and germination technologies), as well as clean combustion and renewable energy systems for desalination Criteria for evaluating and evaluating such systems (with other energy sources) based on strong sustainability, economy and safety. - Efficient, innovative and economical coupling scheme utilizes membrane processes and innovative distillation processes. So at the end when we are using IAEA Deep software for comparing the SMR(MSF+RO) process is better than all other power sources ,including nuclear power IIIrd generation reactors operating in the world , so SMR technology is the future of the nuclear technology it having low capital cost than others because size is small , another major advantage is it some of the reactor can be easily transported where electricity generation required or for the desalination purpose, it can be used for the hydrogen generation which is future fuel so it reduces cost and gives cheaper energy and desalinated water

Nomenclature

% SR Chp Clp MWt MWe

is the percentage of salt rejection, the concentration of soluble in the high-pressure part and the concentration of soluble in the low-pressure part.

Megawatts thermal

Megawatts electrical

References

- [1] Status of Nuclear Desalination in IAEA Member States, International Atomic Energy Agency, IAEA-TECDOC1524 (January 2007).
- [2] Desalination Economic Evaluation Program (DEEP): User's Manual, Version 5.0, International Atomic Energy
- [3] Introduction of Nuclear Desalination: A Guidebook, International Atomic Energy Agency, Technical Reports Series No. 400 (2000).
- [4] Thomas M. Missimera, Robert G. Malivab, Environmental issues in seawater reverse osmosis desalination: Intakes and outfalls, *ELSEVIER Journal*, Desalination 434, 2018, 198-215
- [5] Isidro Padrón, Devis Avila, Graciliano N. Marichal, José A. Rodríguez, Assessment of Hybrid Renewable Energy Systems to supplied energy to Autonomous Desalination Systems in two islands of the Canary Archipelago, *ELSEVIER Journal*, Renewable and sustainable energy review 101, 2019, 221-230

**MAS INTERNATIONAL EUROPEAN CONFERENCE ON
MATHEMATICS-ENGINEERING-NATURAL & MEDICAL SCIENCES-XII**

[6] Marco Santinello, Marco Ricotti, Preliminary analysis of an integral Small Modular Reactor operating in a submerged containment, *ELSEVIER Journal*, progress in nuclear energy 107, 2018, 90-99

[7] X. Yan, Y. Tachibana, H. Ohashi, H. Sato, Y. Tazawa, And K. Kunitomi, A Small Modular Reactor Design for Multiple Energy Applications: Htr50s, 401nuclear Engineering and Technology, Vol.45 No.3 June 2013

[8] Alexey Lokhov, Ron Cameron, And Vladislav Sozoniuk, Oecd/Nea Study on The Economics And Market Of Small Reactors, Oecd Nuclear Energy Agency, Nuclear Engineering And Technology, Vol.45 No.6 November 2013

[9] Andrei Razvan Budua, Gabriel Lazaro Pavela, Dominic Eugeniu Morarua, Heat and mass transfer aspects in nuclear power generation, *Science Direct*, Sustainable Solutions for Energy and Environment, EENVIRO, 2016, 26-28

[10] Farshad Mohammadi, Mostafa Sahraei-Ardakani, Yousef Al-Abdullah, Coordinated Operation of Power Generation and Water Desalination, IFAC PapersOnLine 51-28, 2018, 456–461

QUININE-BASED SEMISYNTHETIC ION TRANSPORTERS WITH
POTENTIAL ANTIPROLIFERATIVE ACTIVITIES

N. Akhtar:^a N. Pradhan:^a G.K. Barik:^b S. Chatterjee:^c S. Ghosh:^d A. Saha:^a P.Satpati:^d
A. Bhattacharyya:^c M. K. Santra:^{*b} D. Manna^{*a}

^aDepartment of Chemistry and ^dDepartment of Bioscience and Bioengineering, Indian
Institute of Technology Guwahati, Guwahati, Assam 781039, India

^bNational Centre for Cell Science, Maharashtra 411007, India.

^cDepartment of Zoology, University of Calcutta, West Bengal 700019, India

Abstract

Synthetic anionophore research has drawn the attention of many chemist, biochemist and as well as supramolecular chemist as this area of research has a huge impact on therapeutic application. Ion transportation across the cell membrane plays a pivotal role in regulating the various physiological function like cell signaling pathways, proliferation, ion-homeostasis, cytosolic pH and other cellular processes. The Chloride channel is one of the most important pore-forming membrane protein and is essential for the regulation of various physiological functions. Even a small aberration in chloride channel can overwhelm these cellular processes and may cause lot of Channelopathies. Recent studies showed that by disrupting cellular ion homeostasis, the synthetic Cl^- ion transporters can induce apoptosis in cancer cell lines, leading to a revived attention for synthetic Cl^- ion transporters.^[2] However, most of the developed anionophores failed to fulfill the intended purpose due to their undesired toxicity. Inspired by the structure and biological activities of natural products, we synthesized a small series of squaramide and thiourea derivatives of quinine and investigated their anion transport properties. The Cl^- ion binding properties of the quinine derivatives correlate well with their Cl^- ion transport activities. The involvement of quinuclidine moiety for the cooperative interactions of H^+ and Cl^- ions with these thiourea or squaramide moiety results in an effectual transport of H^+/Cl^- ion pairs across the lipid bilayer. The interference of ionic homeostasis by the potent Cl^- ion carrier selectively induces cancer cell death by promoting the caspase-mediated intrinsic pathway of apoptosis. The *in vivo* assessment of the potent ionophore showed an efficient reduction in the tumor growth with negligible immunotoxicity to other organs.

Keywords: Quinine, chloride transport, channelopathies and *in vivo* tumor growth.

**ELECTROCATALYTIC REDUCTION OF 2, 6-DINITROPHENOL ON
POLYCONGO RED DECORATED GLASSY CARBON ELECTRODE FOR
ELECTROCHEMICAL SENSING APPLICATION**

Waheed Abiodun Adeosun

Prof. Abdullah M. Asiri and Prof. Hadi M. Marwani.

Department of Chemistry, King Abdulaziz University, Jeddah, Saudi Arabia

Abstract

2, 6-dinitrophenol (2, 6-DNP) is a toxic chemical with significant negative impact on human health and ecosystem (aquatic lives). Hence, efficient monitoring of this pollutant is key in environmental management. Therefore, this study reported in-situ deposition of polycongo red (PCR) film by electrochemical approach for detection and monitoring of 2, 6-DNP. The synthesized PCR film was characterized by field emission scanning electron microscopy, Fourier transform infrared spectroscopy (FTIR) and cyclic voltammetry. Being a conductive polymer, PCR film electrocatalyzed reduction of 2, 6-DNP to 2, 6-diaminophenol. The synthesized PCR film displayed satisfactory response towards sensing of 2, 6-DNP with limit of detection (LoD) of 0.1 μM ($S/N = 3$) and linear range of 0.5 μM to 65 μM . Also, the responses of PCR film towards sensing of 2, 6-DNP was repeatable, reproducible, interference-free with short response time. Lastly, the proposed 2, 6-DNP sensor was satisfactorily used in detection of 2, 6-DNP in environmental real samples.

Keywords: Poly-congo-red; conducting polymer; 2, 6-dinitrophenol; electrochemical sensor; electrodeposition; water pollutant monitoring.

**MAS INTERNATIONAL EUROPEAN CONFERENCE ON
MATHEMATICS-ENGINEERING-NATURAL & MEDICAL SCIENCES-XII
HYMENOCHAETE RUBIGINOSA MANTARININ FENOLİK BİLEŞİKLERİ VE
ANTIOKSİDAN AKTİVİTESİ**

*Ebru DEVECİ

**Fatih ÇAYAN

**Gülşen TEL-ÇAYAN

***Mehmet Emin DURU

*Konya Teknik Üniversitesi, Teknik Bilimler Meslek Yüksek Okulu, Kimya ve
Kimyasal İşleme Teknolojileri Bölümü

**Muğla Sıtkı Koçman Üniversitesi, Muğla Meslek Yüksekokulu, Kimya ve Kimyasal
İşleme Teknolojileri Bölümü

***Muğla Sıtkı Koçman Üniversitesi, Fen Fakültesi, Kimya Bölümü

Özet

Mantarlar çok eski zamanlardan beri farklı lezzet ve aromaları ve lektinler, polisakkaritler, terpenoidler, alkaloidler, steroller ve fenolikler gibi çeşitli biyoaktif bileşikleri içerdikleri için insan beslenmesinin bir parçası olmuştur. Yüksek antioksidan özellikleri ve serbest radikalleri giderme özellikleri sayesinde oksidatif stres ile ilgili hastalıkları engellemeleri nedeniyle fenolik bileşiklerin diğer biyoaktif bileşikler arasında önemli bir yeri bulunmaktadır. Bu çalışmada, *H. rubiginosa* mantarının fenolik bileşikleri ve antioksidan aktivitesi araştırılmıştır. *H. rubiginosa* mantarının fenolik bileşikleri HPLC-DAD kullanılarak tanımlanmış ve protokateşik asit ($0,90 \pm 0,02 \mu\text{g/g}$) ve kafeik asit ($0,42 \pm 0,05 \mu\text{g/g}$) major fenolik bileşikler olarak bulunmuştur. *H. rubiginosa* hekzan ve metanol ekstraktlarının antioksidan aktiviteleri ABTS⁺⁺ giderim, DPPH^{*} giderim, CUPRAC, metal kelat ve β -karoten linoleik asit yöntemleri kullanılarak test edilmiştir. Metanol ekstresi hekzan ekstresine göre daha yüksek antioksidan aktivite göstermiştir. Sonuç olarak, *H. rubiginosa* metanol ekstresi ABTS⁺⁺ giderim (IC_{50} : $24,58 \pm 0,75 \mu\text{g/mL}$), DPPH^{*} giderim (% $72,88 \pm 0,86$), CUPRAC ($A_{0,50}$: $47,70 \pm 0,53 \mu\text{g/mL}$), metal kelat (% $27,27 \pm 0,86$) ve β -karoten-linoleik asit (IC_{50} : $5,02 \pm 0,06 \mu\text{g/mL}$) yöntemlerinde önemli derece yüksek antioksidan aktivite göstermiştir.

Anahtar Kelimeler: *H. rubiginosa*, Fenolik bileşik, Antioksidan Aktivite

PHENOLIC COMPOUNDS AND ANTIOXIDANT ACTIVITIES OF *HYMENOCHAETE RUBIGINOSA*

Abstract

Mushrooms have been a part of human nutrition from past to present with their different and pleasant taste and aroma and therapeutic properties due to including various bioactive compounds such as lectins, polysaccharides, terpenoids, alkaloids, sterols, and phenolics. Phenolic compounds have an important place among the other bioactive metabolites because they prevent oxidative stress-related diseases because of their high antioxidant capacity and free radical scavenging properties. In this study, phenolic compounds and antioxidant activities of *H. rubiginosa* were investigated. Phenolic compounds of *H. rubiginosa* were identified by using HPLC-DAD and protocatechuic acid ($0.90 \pm 0.02 \mu\text{g/g}$) and caffeic acid ($0.42 \pm 0.05 \mu\text{g/g}$) were found as the main phenolic compounds. Antioxidant activities of the *H. rubiginosa* hexane and methanol extracts were tested according to five different assays, namely ABTS⁺⁺ scavenging,

**MAS INTERNATIONAL EUROPEAN CONFERENCE ON
MATHEMATICS-ENGINEERING-NATURAL & MEDICAL SCIENCES-XII**

DPPH[•] scavenging, cupric-reducing antioxidant capacity (CUPRAC), metal chelating and β -carotene-linoleic acid. The methanol extract showed higher antioxidant activity than the hexane extract. As a result, *H. rubiginosa* methanol extract exhibited significant antioxidant activity in ABTS^{•+} scavenging (IC₅₀: 24.58±0.75 μ g/mL), DPPH[•] scavenging (72.88±0.86 %), CUPRAC (A_{0.50}: 47.70±0.53 μ g/mL), metal chelating (27.27±0.86 %) and β -carotene-linoleic acid (IC₅₀: 5.02±0.06 μ g/mL) assays.

Keywords: *H. rubiginosa*, Phenolic compounds, Antioxidant Activity

**MAS INTERNATIONAL EUROPEAN CONFERENCE ON
MATHEMATICS-ENGINEERING-NATURAL & MEDICAL SCIENCES-XII
STERİK ENGELLİ AMİN KARIŞIMLARININ CO₂ ABSORPSİYON KİNETİĞİNE
SİNERJİK ETKİSİ**

Dr. Özge YÜKSEL ORHAN

ORCID ID: <https://orcid.org/0000-0003-0135-0363>

Hacettepe Üniversitesi

Özet

Atmosfere salınan karbon dioksit (CO₂) önemli bir miktarı kömür, petrol ürünleri ve doğal gaz gibi fosil yakıtların yakılması sonucunda oluşmaktadır. Böylece, artan fosil yakıt kullanımına bağlı olarak atmosferdeki CO₂ salınımları ciddi bir şekilde artmaktadır. Dolayısıyla, küresel ısınmaya ve iklim değişikliklerine etkisi olan CO₂'in yakalanması dünyanın gündemindedir. Karbon dioksit yakalama için kullanılacak geleneksel yöntem, sulu alkanolamin (monoetanolamin vb.) çözeltilerine karbon dioksit kimyasal absorpsiyonu ve daha sonra çözeltinin rejenerasyonudur. Ancak, günümüzde yaygın olarak kullanılan - çoğunlukla sulu- çözücüler yüksek korozyon ve rejenerasyonu için de yüksek ısı gereksinimine sahiptirler. Bu nedenlerle, CO₂ yükleme kapasitesini arttırmak ve özellikle sulu sistemlerdeki buharlaşma gizli ısını azaltmak için yeni çözeltiler tasarlamak yönünde yoğun çalışmalar yapılmaktadır. Sterik engelli aminler kullanarak CO₂ yükleme oranını teorik olarak 1'e yükseltmek mümkündür. Sterik engelin neden olduğu daha düşük reaksiyon hızı dezavantajı ise, amin karışımları kullanarak aşılabileceği bu çalışma kapsamında önerilmektedir. Bu çalışmada, sterik engelli amin olarak 2-amino-2-metil-1,3-propandiol (AMPD), 2-amino-2-hidroksimetil-1,3-propandiol (AHPD) ve 2-amino-2-metil-1-propanol (AMP) seçilmiştir. Susuz ortamda (1-hexanol ortamında) sterik engelli aminlere ve bunların eşmolar karışımlarına CO₂'nin absorpsiyonunun kinetiği durdurulmuş akış tekniği kullanılarak incelenmiştir. Birinci derecesel reaksiyon hızı sabitleri (k_0, s^{-1}) 298-318 K sıcaklık aralığında ölçülmüştür. Çözelti sıcaklıkları artışıyla, k_0 değerlerinin arttığı gözlenmiştir. Ayrıca, Arrhenius diyagramları çizilmiş ve sterik engelli amin sistemlerinin ve bu aminlerin eşmolar karışımlarının aktivasyon enerjileri hesaplanmıştır. Aynı deneysel koşullarda, seçilen sterik engelli aminlerin eşmolar karışımlarının k_0 değerlerinin, sterik engelli amin çözeltilerinin ayrı ayrı ölçülen k_0 değerlerinin toplamından % 20-30 daha yüksek olduğu gözlenmiştir. Elde edilen sonuçlar, sterik engelli amin çözeltilerinin birbiriyle sinerjik etkisinin orijinal bir yaklaşımı tarif ettiğini ve ayrıca bu çözelti sistemlerinin desorpsiyon kolonunda rejenerasyon için daha düşük enerji gereksinimi gibi üstün özellikleriyle endüstriyel CO₂ yakalaması için potansiyel aday çözücüler olabileceğini göstermiştir.

Anahtar Kelimeler: Absorpsiyon Kinetiği, Karbon Dioksit Tutma, Sterik Engelli Aminler, Durdurulmuş-Akış, Sinerjik Etki

**SYNERGISTIC EFFECT OF STERICALLY HINDERED AMINE BLENDS ON CO₂
ABSORPTION KINETICS**

Abstract

The major amount of the carbon dioxide (CO₂) released into the atmosphere is formed by the combustion of fossil fuels such as coal, petroleum products and natural gas. Thus, CO₂ emission in the atmosphere is seriously increasing due to increased use of fossil fuels. Therefore, the capture CO₂ which has significant impact on global warming and climate change

is on the world agenda. The most mature technology is chemical absorption of CO₂ into aqueous amine solutions (monoethanolamine etc.) and then regeneration of loaded solution. However, widely used solvents –mostly aqueous- have high corrosiveness and high energy requirement for the regeneration. For these reasons, there are intensified studies to design new solvent systems to increase the CO₂ loading capacity and especially to reduce the latent heat requirement of aqueous systems. It is possible to increase the CO₂ loading ratio to a theoretical value of 1 by using sterically hindered amines. It is suggested in this study that lower reaction rate disadvantage caused by sterical hinderance can be overcome by using amine blends. In the scope of this work, as sterically hindered amines 2-amino-2-methyl-1,3-propanediol (AMPD), 2-amino-2-hydroxymethyl-1,3-propanediol (AHPD) and 2-amino-2-methyl-1-propanol (AMP) were selected. The kinetics of CO₂ absorption into non-aqueous solutions (in 1-hexanol medium) of sterically hindered amines and their equimolar blend were investigated by using the rapid-mixing stopped-flow method. Pseudo first order reaction rate constants (k_0 , s⁻¹) were measured for a temperature range of 298–318 K. It was observed that the values of k_0 increased as solution temperatures were increased. Furthermore, the Arrhenius diagrams were plotted and the activation energies of sterically hindered amine systems and their blend were determined. It can be concluded that the k_0 values of equimolar blend of selected sterically hindered amines are 20-30 % higher than the summation of individual k_0 values of the sterically hindered amine solutions. The obtained results showed that the synergetic effect of sterically hindered amine solutions describe an original approach and they may be potential candidates for industrial CO₂ capture with superior properties, such as requiring less energy demand in the desorber.

Keywords: Absorption Kinetics, Carbon Dioxide Capture, Sterically Hindered Amines, Stopped-Flow, Synergistic Effect

FTALOSİYANİN KATKILI NEMATİK SIVI KRİSTAL KOMPOZİT YAPILARIN
ÖZELLİKLERİNİN ARAŞTIRILMASI VE MAKİNE ÖĞRENMESİ
ALGORİTMALARI KULLANILARAK DİELEKTRİK SABİTİNİN TAHMİNİ

Dr. Öğr. Üyesi Gülnur Önsal
Dr. Öğr. Üyesi Pelin Yıldırım Taşer
Dr. Öğr. Üyesi Onur Uğurlu
İzmir Bakırçay Üniversitesi

Özet

Son yıllarda sıvı kristaller dielektrik, elektrik ve optik özelliklerinden dolayı bilim ve teknolojiye kapsamlı bir şekilde araştırılmaktadır. Sıvı kristallerin özelliklerini geliştirmek için sıvı kristaller, yarı iletken kuantum noktaları, ftalosiyanın, karbon nanotüpler, polimerler ve boyalar gibi farklı nanoparçacıklar ile katkılanmaktadır.

Bu çalışmada ftalosiyanın katkılı nematik sıvı kristal kompozit yapıların dielektrik özellikleri araştırılmıştır. Konsantrasyonun etkisini araştırmak için, 4-pentyl-4'-cyanobiphenyl (5CB) nematik sıvı kristale ağırlıkça %1 ve 3 ftalosiyanın katkılanmıştır. Örneklerin dielektrik ölçümleri, dielektrik spektroskopi yöntemi kullanılarak gerçekleştirilmiştir. Dielektrik sabitinin gerçek ve sanal kısmı (ϵ' ve ϵ''), dielektrik anizotropi ($\Delta\epsilon$), relaksasyon frekansı (f_R), relaksasyon zamanı (τ) gibi bazı önemli dielektrik parametreler deneysel veriler kullanılarak gerilimin ve frekansının bir fonksiyonu olarak kompozit yapılar için belirlenmiştir. Sonuçlara göre, ftalosiyanın katkısı 5CB nematik sıvı kristalinin dielektrik özelliklerini önemli ölçüde geliştirmiştir ve sıvı kristallerin moleküler yönelim kabiliyetini ve iletkenliğini artırmıştır.

Ayrıca elde edilen deneysel sonuçlar üzerinde 4 farklı makine öğrenmesi algoritması uygulanarak (Çok Katmanlı Algılayıcı, Destek Vektör Regresyonu, Rastgele Ağaç ve Rastgele Orman), frekans değerleri, voltaj değerleri ve katkı oranlarına bağlı olarak dielektrik sabitinin gerçek bileşeni tahminlenmeye çalışılmıştır. Mevcut veri seti üzerinde Rastgele Orman algoritmasının %13 hata payı ile en iyi tahmin performansına sahip olduğu gözlemlenmiştir. Böylelikle, makine öğrenmesi yöntemi kullanılarak, istenilen dielektrik sabitlere sahip nematik kompozitlerin üretiminde uygun frekans ve voltaj değerleri ile uygun katkı oranları yüksek bir doğruluk oranı ile öngörülebilir.

Anahtar Kelimeler: Dielektrik Özellikler, Sıvı Kristal, Makine Öğrenmesi, Ftalosiyanın

INVESTIGATION OF PROPERTIES OF PHTHALOCYANINE DOPED NEMATIC LIQUID CRYSTAL COMPOSITE STRUCTURES AND PREDICTION OF THE DIELECTRIC CONSTANT BY USING MACHINE LEARNING ALGORITHMS

Abstarct

In recent years liquid crystals have been extensively investigated in science and technology due to their dielectric, electrical and optical properties. To improve properties of liquid crystals which have dispersed different nanoparticles such as semiconductor quantum dots, phthalocyanine, carbon nanotubes, polymers and dyes.

In this work, dielectric properties of the phthalocyanine doped nematic liquid crystal composite structures have investigated. In order to investigate doping concentration effect, 4-pentyl-4'-cyanobiphenyl (5CB) nematic liquid crystal was dispersed with 1 and 3% wt/wt

phthalocyanine. Dielectric measurements of the samples have been carried out using the dielectric spectroscopy method. Some important dielectric parameters such as real and imaginary part of dielectric permittivity (ϵ' and ϵ''), dielectric anisotropy ($\Delta\epsilon$), relaxation frequency (f_R), relaxation time (τ) have been determined for the composite structures by using experimental data as a function of bias voltage and frequency. According to results, phthalocyanine dispersal significantly improved dielectric properties of 5CB nematic liquid crystal and increases molecular orientation ability, conductivity of the liquid crystals.

Moreover, the real components of the dielectric constant have been tried to be estimated based on the frequency, voltage value and dispersion rate by performing 4 different machine learning algorithms (Multilayer Perceptron, Support Vector Regression, Random Tree and Random Forest) on the obtained results. It has been observed that Random Forest algorithm has the best estimation performance with 13% error rate on the current dataset. Hence, using machine learning algorithms, suitable frequency, voltage values and dispersion rates can be predicted with high accuracy in the production of nematic composites with the desired dielectric constants.

Keywords: Dielectric Properties, Liquid Crystal, Machine Learning, Phthalocyanine

**MAS INTERNATIONAL EUROPEAN CONFERENCE ON
MATHEMATICS-ENGINEERING-NATURAL & MEDICAL SCIENCES-XII
PROPAN (R290) SOĞUTUCU AKIŞKANI İÇİN KAYNAMALI AKIŞ
KORELASYONLARININ TAHMİN KESİNLİĞİ DEĞERLENDİRİLMESİ**

Dr. Öğr. Üy. Oğuz Emrah TURGUT

İzmir Bakırçay Üniversitesi

ORCID NO: <https://orcid.org/0000-0003-3556-8889>

Dr. Mert Sinan TURGUT

Ege Üniversitesi

ORCID NO: <https://orcid.org/0000-0002-5739-2119>

Özet

Propan gazı iklimlendirme endüstrisi için vazgeçilmesi güç soğutucu akışkanlardan biridir ve soğutucu akışkanı propan olan minimum ilk yatırım maliyetli bir evaporatör tasarlanmasının pratiklerini kavramak için kaynamalı akış için karakterize edilen davranışların detaylıca değerlendirilmesi ve anlaşılması gerekmektedir. Literatür çalışmalarında kaynama akışlı ısı transferi katsayılarının tahmin edilebilmesi için değişik araştırmacılar tarafından birçok korelasyon ortaya atılmıştır. Bu korelasyonların pratik uygulamalarındaki en büyük dezavantaj her korelasyonun kendine deney koşullarına göre hazırlanmış olmasıdır. Yani bir korelasyon herhangi bir soğutucu akışkanın kaynamalı ısı transfer katsayısının sayısal eğilimlerini doğru bir şekilde tahmin edebilir fakat diğer başka bir soğutucu akışkan için başarısız tahmin değerleri elde edebilir. Oluşturulan korelasyonların tahmin kesinliği verimsizliklerini bir nebze giderebilmek için, bu çalışma çerçevesinde literatür deneysel çalışmalarından toplanan 2145 adet R290 soğutucu akışkanı için elde edilmiş kaynamalı ısı transfer katsayısı verisi korelasyonlara uygulanacak ve bu korelasyonların '90 akışkanı için gerçekleştireceği tahmin performansları karşılaştırılacaktır. Literatürden toplanan deneysel veriler 0.001 – 0.998 buhar kaliteleri, 50-600 kg/m²s kütleli hız, 5.0-227 kW/m² ısı akışı - 35.0-43.0 °C kaynama sıcaklığı, ve 0.3 – 8.0 mm iç boru çapı aralıklarını kapsamaktadır. Karşılaştırmalar sonucunda en iyi kaynamalı ısı transferi katsayısı tahmini yapana denklemlerin Cooper, Gungor-Winterton, Kew – Cornwell, Lazarek – Black, Sun – Mishima, and Docoumbier et al. korelasyonları oldukları görülmüştür.

Anahtar kelimeler: Kaynamalı akış, Propan (R290), Soğutucu akışkanlar, Two-phase flows

PREDICTION ACCURACY ASSESSMENT OF THE FLOW BOILING CORRELATIONS FOR PROPANE (R290) REFRIGERANT

Abstract

Propane is an indispensable refrigerant for the HVAC industry, whose respective flow boiling characteristics should be thoroughly evaluated and comprehended in order to gain practical insights on how to design an evaporator with a minimum investment cost. There are plenty of correlations available in the literature for predicting the convective flow boiling heat transfer coefficients of various types of refrigerants. A major drawback in their practical applications is that each correlation is developed for its measurements which implies that one correlation may perform well for a refrigerant however may collapse for another type of refrigerant. To conquer these inefficiencies in prediction accuracy, this study compares the prediction performances of the literature flow boiling correlations based on the 2145 data

**MAS INTERNATIONAL EUROPEAN CONFERENCE ON
MATHEMATICS-ENGINEERING-NATURAL & MEDICAL SCIENCES-XII**

R290(propane) data compiled from different laboratories. Experimental data acquired from different sources covers vapor qualities from 0.001 to 0.998, mass velocities from 50.0 to 600.0 kg/m²s, heat fluxes from 5.0 to 227.0 kW/m², saturation temperatures from -35.0 to 43.0 °C, and inner tube diameters varying from 0.3 to 8.0 mm. Based on the R290 database, it is observed that the best flow boiling heat transfer coefficient predictions have been made by the Cooper, Gungor-Winterton, Kew – Cornwell, Lazarek – Black, Sun – Mishima, and Docoumbier et al. correlations.

Keywords: Flow boiling, Propane (R290), Refrigerants, Two-phase flows

**EFFECT OF TEMPERATURE ON THE STRUCTURAL PROPERTIES OF BARIUM
TITANATE NANOPOWDERS SYNTHESIS VIA SOL-GEL PROCESS**

Mohammed Tihth

Institute of Ceramics and Polymer Engineering, University of Miskolc, Hungary

Aleksei V. Ponaryadov

Institute of Geology, Komi Science Center, Ural Branch of the Russian Academy of
Sciences, Russian Federation

Jamal-Eldin F. M. Ibrahim

Institute of Ceramics and Polymer Engineering, University of Miskolc, Hungary

Emese Kurovics

Institute of Ceramics and Polymer Engineering, University of Miskolc, Hungary

Elena L. Kotova

Saint-Petersburg Mining University, Russian Federation

László A. Gömze

Institute of Ceramics and Polymer Engineering, University of Miskolc, Hungary

Abstract

Sol-gel processed barium titanate (BaTiO_3) ceramic has been characterized by X-ray diffraction (XRD) and Fourier Transformation Infrared (FT-IR) techniques. The results confirm that BaTiO_3 crystallizes in the perovskite structure with Ba_2TiO_4 pyrochlore phase when calcined at relatively low temperature ($800\text{ }^\circ\text{C}$) for 3h. Furthermore, XRD reveals the formation of a single-phase perovskite BaTiO_3 without presence of secondary phases when calcined at the temperature of 900 and $1000\text{ }^\circ\text{C}$ with the following lattice parameters: $a = 3.9978\text{ \AA}$, $c = 4.0197\text{ \AA}$ and $a = 3.9967\text{ \AA}$, $c = 4.0220\text{ \AA}$ respectively. the calcination temperature is confirmed to has a large influence in BaTiO_3 structure, several parameters including, the tetragonality, volume (V) and crystallite size were found to be increased with increasing calcination temperature.

Keywords: Sol-gel, Barium titanate nanoceramics, Calcination temperature, X-ray Diffraction.

**MAS INTERNATIONAL EUROPEAN CONFERENCE ON
MATHEMATICS-ENGINEERING-NATURAL & MEDICAL SCIENCES-XII**

**CHARACTERISTICS OF BIO-CHARCOAL AND LIQUID SMOKE FROM TEA
LEAF WASTE USING ROCKET STOVE PYROLYSIS WITH DOUBLE
CONDENSERS**

M. Noviansyah Aridito^{1)*}, Syaiful Mansyur²⁾, Syamsul Ma'arif³⁾

¹⁾ Environmental Engineering Department, Proklamasi 45 University, Yogyakarta, Indonesia

²⁾ Industrial Engineering Department, Proklamasi 45 University, Yogyakarta, Indonesia

³⁾ Mechanical Engineering Department, Proklamasi 45 University, Yogyakarta, Indonesia

Abstract

The Indonesian people widely consume tea leaves as drinks. Tea packaging companies also continue to increase both the number of brands and their production. Based on Indonesian Central Statistics Agency data in 2016, the production of dried tea leaves nationwide in Indonesia is 74,793 tons per year. Pyrolysis technology used and tested is the method of rocket stove retort pyrolysis combined with a double condenser system, namely pyrolysis, that uses two condensers connected to the pyrolysis gas channel. Pyrolysis gas through the condenser is liquefied into liquid smoke in two stages. This research is focused on determining the characteristics of bio-charcoal and liquid smoke from tea leaf waste produced from rocket stove retort technology with a double condenser. The variables of this study are the temperature of the pyrolysis process, namely low temperature (valve opening $\frac{1}{4}$), medium temperature (valve opening $\frac{1}{2}$), and high temperature (full valve opening). The pyrolysis process was carried out for 4 hours, but there was a pause in the 120th minute. The results of research on samples with high temperatures obtained the highest bio-charcoal characteristic data, namely the heating value of 5,718.81 kcal/kg; carbon content of 44.96%; ash content 9.91%; and 7.65% moisture content. Besides, the sample with the highest temperature obtained the lowest volatile matter level, which is 37.48%. In the last 2 hours, samples with high temperatures obtained the highest liquid smoke characteristic data, namely phenol content 1.126%; carbonyl 0.3601%, and total acid 1.5746%. This data shows that there is a tendency that the higher the pyrolysis process temperature, the higher the bio-charcoal characteristics, and the higher the liquid smoke characteristics.

Keywords: tea leaf waste, pyrolysis, bio-charcoal, liquid smoke, rocket stove, double condensers

**MAS INTERNATIONAL EUROPEAN CONFERENCE ON
MATHEMATICS-ENGINEERING-NATURAL & MEDICAL SCIENCES-XII
MICROBIAL BIOFERTILIZER AS AN ECO-FRIENDLY ALTERNATIVE FOR
INCREASING CROP PRODUCTIVITY AMONG SMALLHOLDER FARMERS IN
NIGERIA**

Kehinde Caleb OMIDOYIN
University of Ibadan, Ibadan, Nigeria

Abstract

Soil nutrients and fertility are important for food and nutritional security. In Nigeria, a major challenge facing agricultural productivity among smallholder farmers is low soil nutrients and this often results in low crop yields and low household income. The common use of inorganic fertilizers to improve soil nutrients and boost agricultural productivity are unsustainable and costly, and in most cases unaffordable for the smallholder farmers. Inorganic fertilizers are also known to have damaging effects on environmental ecology and human health. For agricultural sustainability, the use of microbial biofertilizers is believed to be a suitable alternative to chemical-based fertilizers due to their eco-friendliness, renewability and cost-effectiveness. Microbial biofertilizers are composed of beneficial microorganisms such as bacteria, fungi and blue-green algae that promote plant growth by enhancing the supply of nutrients to the plants. This study provides an overview of various groups of microorganisms used as biofertilizers and their mechanisms for improving plant growth. The potentials and prospects of microbial biofertilizers as efficient and sustainable technology in enhancing crop productivity and smallholder farmer profitability in Nigeria are also elucidated. The use of microbial biofertilizer technology in Nigeria would play a significant role in improving crop yield at low cost and alleviating poverty, especially among the smallholder farmers, as well as contribute to ecological stability.

Keywords: Biofertilizer, Microorganisms, Smallholder farmer, Plant nutrients, Nigeria.

**MAS INTERNATIONAL EUROPEAN CONFERENCE ON
MATHEMATICS-ENGINEERING-NATURAL & MEDICAL SCIENCES-XII**
**STUDY AB INITIO OF ELECTRONIC AND OPTICAL PROPERTIES OF CSMOSE
BY THE FP-LAPW METHOD**

C. Bourahla ^{(1)*}

F. Boukabrine ⁽¹⁾

⁽¹⁾ Djillali Liabes University, Materials and Sustainable Development Department, Sidi Bel Abbes –ALGERIA

Abstract

The compound Half Heusler (HH) CsMoSe was studied for the first time as a new compound by the first principle method called FP-LAPW method, of the electronic and optical properties, in order to present the band structure and the density of electronic states of CsMoSe on two spin and down channels, and describe the semi-metallic character and their effects on electron mobility, with the presence of a Gap around 2.1 eV at spin down. The semi-metallic nature of CsMoSe presents an important magnetic moment which reaches up to 5 μ B per cell unit, then on the optical properties in this article presents the results of the measurable quantity of the most important is the dielectric function $\epsilon(\omega)$, it is determined by the transition between the Valence and conduction bands, thus the refractive index μ and the absorption coefficient $\alpha(\omega)$. The results mentioned are produced in the framework of the DFT density functional theory using Wien2k code.

Keywords: ab ignition, FP-LAPW, half heusler , wien2k

**MAS INTERNATIONAL EUROPEAN CONFERENCE ON
MATHEMATICS-ENGINEERING-NATURAL & MEDICAL SCIENCES-XII
ELECTRONIC AND OPTICAL PROPERTIES STUDY AB INITIO OF CSMOSE BY
THE FP-LAPW METHOD**

C. Bourahla ^{(1)*}

F. Boukabrine ⁽¹⁾

⁽¹⁾ Djillali Liabes University, Materials and Sustainable Development Department, Sidi
Bel Abbes –ALGERIA

Abstract

The compound Half Heusler (HH) CsMoSe was studied for the first time as a new compound by the first principle method called FP-LAPW method, of the electronic and optical properties, in order to present the band structure and the density of electronic states of CsMoSe on two spin and down channels, and describe the semi-metallic character and their effects on electron mobility, with the presence of a Gap around 2.1 eV at spin down. The semi-metallic nature of CsMoSe presents an important magnetic moment which reaches up to 5 μ B per cell unit, then on the optical properties in this article presents the results of the measurable quantity of the most important is the dielectric function $\epsilon(\omega)$, it is determined by the transition between the Valence and conduction bands, thus the refractive index μ and the absorption coefficient $\alpha(\omega)$. The results mentioned are produced in the framework of the DFT density functional theory using Wien2k code.

Keywords: ab ignition, FP-LAPW, half heusler , wien2k

GRAPHENE-A 2D WONDER

ANAMIKA SINGH

D.D.U. GORAKHPUR UNIVERSITY, U.P., INDIA

Abstract

When Graphene was discovered in 2004 science community didn't know about the exotic portal of Graphene applications which was opened at that time. My first encounter with Graphene was during a summer internship this year. Researchers from all over the world have found interesting applications of graphene in the world of technology. A cheap material becoming an option for many costly materials. Graphene has made its way in energy industry, medicine, electronic items and many other fields.

Graphene is also taking part in the fight against COVID-19. In a research at Hong Kong Polytechnic University, it has been found that a coating of graphene over surgical masks makes it resistant to virus as Graphene has superhydrophobic surface the water droplets just roll off. Graphene's light absorbing power makes it easier for sterilization.

Graphene is proving to be the most promising candidate for a new innovation in town. The different kind of stacking can change the electronic properties of graphene. The abundant properties of this material can be utilised in different ways to achieve a common goal.

If Silicon was the star material of 20th century, Graphene is becoming a one in the 21st century.

**SELF PERCEIVED ASSESSMENT SKILLS OF MATHEMATICS TEACHERS IN
BASIC EDUCATION SCHOOLS**

Yar Zar Chit^{1*}

May Hnit²

^{1*} Dr., Lecturer, Department of Educational Psychology, Sagaing University of Education, Sagaing Town, Myanmar.

² Senior Teacher, Basic Education High School, Nyaung Gone (North), Pyawbwe Township, Myanmar.

Abstract

The main aim of this study was to investigate self perceived assessment skills of mathematics teachers in basic education schools. A total of 228 mathematics teachers from primary, middle and high schools (public and private schools) of Pyawbwe Township in Myanmar participated in this study. Descriptive research design and survey method were used. An instrument: Self Perceived Assessment Skills Questionnaire was used to collect required data. According to the results, there were significant differences in mathematics teachers' constructing and administering assessment skills and performance assessment skills by gender at 0.05 levels. Similarly, there were also significant differences in mathematics teachers' grading skills and overall self perceived assessment skills by gender at 0.01 levels. Again, it was found that there were significant differences in mathematics teachers' performance assessment skills and grading skills by school type at 0.05 levels. Moreover, in the comparison of mathematics teachers' self perceived assessment skills by position, mean score of junior teachers is highest and that of primary teachers is lowest. Similarly, in the comparison of mathematics teachers' self perceived assessment skills by service, mean score of teachers who have above 30-year service is highest. Finally, this study hopes that the school administrators can get any idea to recover and promote the mathematics teachers' assessment skills with the cooperation of experts.

Keywords: self perceived, assessment skill, performance assessment, ethic.

INTRODUCTION

Teaching is a multifaceted process that requires teacher competencies in measurement and assessment skills. Such skills may include: test planning and construction; grading; interpretation of test results; use of assessment results to inform teaching and learning; interpretation of standardized tests; and communicating results to relevant stakeholders. Teachers are key catalyst of the education process. Their instructional and classroom assessment practices are a means by which the education system is enhanced and defined (Nenty, Adedoyin, Odili, & Major, 2007).

Classroom assessment is an essential component of teaching. Teachers assess students and gather information related to their progress in learning. Teachers assess students to identify how well students were developing skills and knowledge. Classroom assessment also helps teachers to identify what they taught and what they need to work on. Teachers use different forms of assessments to gather information about students. Quizzes were given to motivate students to study. It helps teachers to determine how well learning new skills and knowledge.

Assignments were used to provide teachers with insight into challenges students were encountering. During instruction, teachers asked questions and had students engage in specific activities to gather information about what students understood and what ideas and skills they were struggling with.

Generally, classroom assessment is defined as the process of collecting, synthesizing, and interpreting information to aid in classroom decision making. Teachers continuously gather and use information to make decisions about classroom management, instruction, student learning and planning. Teachers play significant role in classrooms. Teachers determine students' achievement through their involvement and preparation during teaching and learning process. Teachers assess students throughout the school year and gradually monitor their progress. They record students' achievement and extent of progress at the end of the year (Green, 1975).

It has been estimated that teachers spend up to 50 percent of their time on assessment-related activities (Plake, 1993). Regardless of the amount of time spent on it, classroom assessment is a vitally important teaching function; it contributes to every other teacher function (Brookhart, 1998, 1999b). Assessment is used for numerous purposes: to diagnose student needs, to group students, to grade students, to evaluate instruction, to motivate students, etc. (Stiggins, 1999). Sound assessment and grading practices help teachers to improve their instruction, improve students' motivation to learn, and increase students' levels of achievement (Brookhart, 1999a). For all of these reasons, the information resulting from classroom assessments must be meaningful and accurate; i.e., the information must be valid and reliable.

According to Stiggins and Conklin (1992), teachers spent approximately one third to half of their time in the classroom to prepare and engage with assessment related activities. In the classroom, teachers are the primary assessors of students. They design assessment tools with two broad purposes; to collect information that will inform classroom instruction, and to monitor students' progress towards achieving year-end outcomes. Teachers create opportunities for students to celebrate their progress and successes. Teachers learn about students' learning and progress by regularly and systematically observing students in action, and by interacting with them during instruction. Teachers demonstrate that assessment is an essential part of learning. They model effective assessment strategies and include students in the development of assessment procedures. Assessment can indicate what part of teachers' instruction needs rethinking and reworking. Appropriately used, classroom assessments have the potential to help both students and teachers to improve their classroom performance. In order to improve classroom performance and use different type of assessments, teachers should have knowledge, skill and competence in the educational assessment of students.

Therefore, it is very important for teachers to acquire all the skills needed in developing and choosing appropriate assessment in classrooms to inform their instructional decisions. Furthermore, teachers should master some basic competencies in order to construct valid and reliable items; administering, scoring and interpreting students' results as well as using assessment results to make educational decisions.

Teachers need to update themselves with all the information and knowledge needed to perform classroom assessment in a proper and professional manner. Moreover, they need to fulfill themselves to have good classroom assessment skills. This study emphasizes on basic education teachers' self-perceived assessment skills.

Purpose of the Study: The main aim of this study is to investigate the self-perceived assessment skills of mathematics teachers from Pyawbwe Township. The specific objectives are as follows;

1. To examine mathematics teachers' self-perceived assessment skills by subscale
2. To compare mathematics teachers' self-perceived assessment skills by school type
3. To inspect mathematics teachers' self-perceived assessment skills by position and teaching service

MATERIALS AND METHODS

Samples: The sample for this research was selected from Pyawbwe Township by using the simple random sampling method. The participants were 228 mathematics teachers from primary schools, middle schools, high schools & private schools.

Research Method: Descriptive research design and survey method were used.

Instrument: In this study, Questionnaire for the Teacher self-perceived assessment skills developed by Alkharusi (2009) was used to assess the self-perceived assessment skills of teachers. The questionnaire consisted of 27 items. It comprises five subscales. They are (1) constructing and administering assessment, (2) performance assessment, (3) grading, (4) communicating assessment results with others and (5) assessment ethics. The statements were designed to respond on Four point Rating Scale. The choices were 1 = not competent, 2 = somewhat competent, 3 = competent and 4 = very competent.

RESULTS

Descriptive Statistics of Mathematics Teachers' Self Perceived Assessment Skills

According to Table 1, the sample mean (103.64) is larger than the theoretical mean (67.5). Therefore, it can be said that the mathematics teachers from Pyawbwe Township possess good assessment skills. Among the subscales, mean percentage of teachers' performance assessment skills was highest (98.38%). However, grading skills was lowest (92.38%).

Table 1 Descriptive Statistics for Mathematics Teacher's Perceived Assessment Skills

	Number of Items	Mean	Std. Deviation	Mean Percentage
Constructing and Administering Assessment	5	18.84	2.44	94.20%
Performance Assessment	8	31.48	3.31	98.38%
Grading	4	14.78	2.37	92.38%
Communicating Assessment Results with Others	5	19.06	2.93	95.3%
Assessment Ethics	5	19.48	2.87	97.4%
Overall Self Perceived Assessment Skills	27	103.64	11.30	

Comparison of Male and Female Mathematics Teachers' Self Perceived Assessment Skills

To find out gender differences in mathematics teachers' self perceived assessment skills, descriptive analysis was made. The means and standard deviations of male and female teachers were reported in Table 2.

Table 2 Descriptive Statistics for Mathematics Teacher's Self Perceived Assessment Skills by Gender

	Gender	N	Mean	Std. Deviation
Constructing and Administering Assessment	Male	38	18.00	2.63
	Female	190	19.01	2.37
Performance Assessment	Male	38	30.34	2.99
	Female	190	31.71	3.34
Grading	Male	38	13.76	2.12
	Female	190	14.98	2.37
Communicating Assessment Results with Others	Male	38	18.24	3.07
	Female	190	19.23	2.88
Assessment Ethics	Male	38	18.79	2.84
	Female	190	19.62	2.87
Overall Self Perceived Assessment Skills	Male	38	99.13	11.09
	Female	190	104.54	11.16

Table 2 also showed that there was slight difference in mean scores by gender in teachers' self perceived assessment skills. Again, to find out difference significantly, independent samples *t* test was used. It was reported in Table 3.

Table 3 Independent Samples *t* test Results for Mathematics Teacher's Perceived Assessment Skills by Gender

Variable	<i>t</i>	<i>df</i>	<i>p</i>
Constructing and Administering Assessment	-2.358*	226	.019
Performance Assessment	-2.337*	226	.020
Grading	-2.932**	226	.004
Communicating Assessment Results with Others	-1.912	226	.057
Assessment Ethics	-1.635	226	.103
Overall Self Perceived Assessment Skills	-2.732**	226	.007

Note. ** The mean difference is significant at 0.01 level.

* The mean difference is significant at 0.05 level.

According to Table 3, it was found that there were significant differences in mathematics teachers' constructing and administering assessment skills and performance assessment skills by gender at 0.05 levels. Similarly, there were also significant differences in teachers' grading skills and overall self perceived assessment skills by gender at 0.01 levels. Therefore, it can be

concluded that female mathematics teachers have better self perceived assessment skills than male mathematics teachers.

Comparison of Mathematics Teachers' Self Perceived Assessment Skills by School Type

To find out the comparison of mathematics teachers' self perceived assessment skills by school type, descriptive analysis was made. The means and standard deviations of male and female mathematics teachers were reported in Table 4.

Table 4 Descriptive Statistics for Mathematics Teacher's Self Perceived Assessment Skills by School Type

	School Type	N	Mean	Std. Deviation
Constructing and Administering Assessment	Public	209	18.85	2.52
	Private	19	18.74	1.15
Performance Assessment	Public	209	31.58	3.37
	Private	19	30.37	2.41
Grading	Public	209	14.87	2.39
	Private	19	13.79	1.96
Communicating Assessment Results with Others	Public	209	18.99	2.99
	Private	19	19.89	2.08
Assessment Ethics	Public	209	19.44	2.96
	Private	19	20.00	1.56
Overall Perceived Assessment Skills	Public	209	103.72	11.62
	Private	19	102.79	7.01

Table 4 also showed that there was slight difference in mean scores by school type in mathematics teachers' self perceived assessment skills. Again, to find out difference significantly, independent samples *t* test was used. It was reported in Table 5. According to Table 5, it was found that there were significant differences in mathematics teachers' performance assessment skills and grading skills at 0.05 levels. Therefore, it can be concluded that public school teachers are more skillful in performance assessment and grading than private school teachers. This may be due to inefficient test and measurement training of private school teachers.

Table 5 Independent Samples *t* test Results for Mathematics Teacher's Perceived Assessment Skills by School Type

Variable	<i>t</i>	<i>df</i>	<i>p</i>
Constructing and Administering Assessment	.196	226	.845
Performance Assessment	1.529*	226	.049
Grading	1.905*	226	.048
Communicating Assessment Results with Others	-1.294	226	.196
Assessment Ethics	-.820	226	.413
Overall Perceived Assessment Skills	.342	226	.733

Note. * The mean difference is significant at 0.05 level.

Comparison of Mathematics Teacher's Self Perceived Assessment Skills by Position

Table 6 showed the comparison of mathematics teachers' self perceived assessment skills by position. In assessment skills, mean score of junior teachers is highest and that of primary teachers is lowest. It may be due to the new curriculum of basic education in Myanmar. The new curriculum emphasizes to use many alternative assessments and so trainings for assessment are given. Moreover, new curriculum was firstly used in middle school levels. Therefore, junior teachers' assessment skills may be better than others. To be clearer, a bar graph is shown in Figure 1.

Table 6 Mean Comparisons of Mathematics Teacher's Perceived Assessment Skills by Position

Position	Number	Perceived Assessment Skills	
		Mean	Std. Deviation
Primary Teacher	63	101.98	13.13
Junior Teacher	91	104.71	9.85
Senior Teacher	74	103.73	11.29

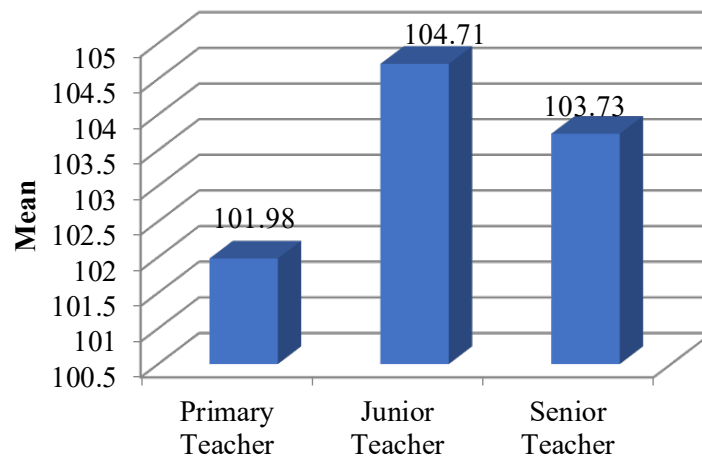


Figure 1 Mean Comparison of Mathematics Teacher's Self Perceived Assessment Skills by Position

Comparison of Mathematics Teacher's Self Perceived Assessment Skills by Service

Table 7 showed the comparison of mathematics teachers' self perceived assessment skills by teacher's service. In assessment skills, mean score of teachers who have above 30-year service is highest. Therefore, it can be said that teachers who have above 30-year service are more skillful in assessment than other teachers and the more experienced teachers have better assessment skills. This may be due to the fact that the experienced mathematics teachers have a lot of knowledge about classroom assessment and so they can also apply the appropriate assessment types in accordance with the student' ability and the nature of subjects. To be clearer, a bar graph is shown in Figure 2.

Table 7 Mean Comparisons of Mathematics Teacher’s Self Perceived Assessment Skills by Service

Service	Number	Perceived Assessment Skills	
		Mean	Std. Deviation
Below 10 Years	67	102.57	12.73
11-20 Years	53	102.79	12.70
21-30 Years	66	104.42	8.64
Above 30 Years	42	105.19	10.84

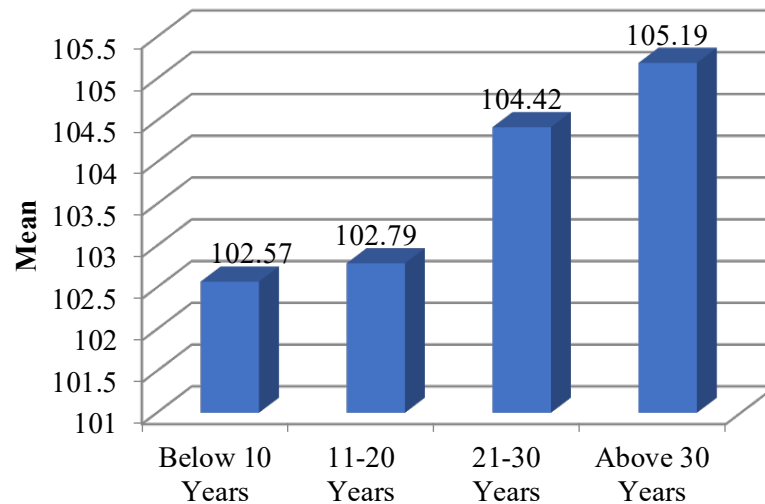


Figure 2 Mean Comparison of Teacher’s Self Perceived Assessment Skills by Service

CONCLUSION AND DISCUSSION

Classroom assessment has received increased attention from the measurement community in recent years. Since teachers are primarily responsible for evaluating instruction and student learning, there is a widespread concern about the quality of classroom assessment. Literature on classroom assessment has delineated the content domain in which teachers need to develop assessment skills. The current consensus has been that teachers use a variety of assessment techniques, even though they may be inadequately trained in certain areas of classroom assessment.

The main aim of this study is to investigate the mathematics teachers’ self perceived assessment skills in Basic Education Schools from Pyawbwe Township. The participants 228 teachers (38 male and 190 female) were taken from Basic Education High Schools in Pyawbwe Township.

Studies of teachers’ assessment skills revealed that teachers were not well prepared to meet the demand of classroom assessment due to inadequate training. Problems were particularly prominent in performance assessment, interpretation of standardized test results, and grading procedures. When using performance measures, many teachers did not define levels of performance or plan scoring procedures before instruction, nor did they record scoring results during assessment. In terms of standardized testing, teachers reported having engaged

in teaching test items, increasing test time, giving hints, and changing students' answers (Zhang & Burry-Stock, 2003).

Teachers also had trouble interpreting standardized test scores and communicating test results. Many teachers incorporated non-achievement factors such as effort, attitude, and motivation into grades and they often did not apply weights in grading to reflect the differential importance of various assessment components. Despite the aforementioned problems, most teachers believed that they had adequate knowledge of testing and attributed that knowledge to experience and university coursework (Zhang & Burry-Stock, 2003).

Therefore, based on the literature and the research findings, the following suggestions would be given:

- A greater need to interweave assessment training with school type (eg., private schools)
 - Assessment trainings may compensate for novices' lack of experience in the classroom
 - Classroom assessment skills should be tailored to suit the differential needs of teachers working in different grade levels (eg., mentoring)
 - Teachers need to use and practice their own assessment skills in their classroom which were trained and well equipped in their respective teacher trainings.
 - Staff development program designed to facilitate changes in teachers' assessment skills (eg., lesson study)
 - Teachers should be helped and guided by seniors and school administrators to improve their assessment skills in accordance with the grade levels and content areas they are required to teach.
 - Records for teachers' classroom assessments should be maintained.
 - Awareness about changes in grading system should be given.
- Therefore, assessment is the feedback mechanism for improving classroom learning. By improving teachers' assessment practices, classroom learning can be improved.

ACKNOWLEDGEMENTS

The authors would like to express the heartfelt indebtedness to principals and mathematics teachers from selected schools in Pyawbwe Township, for their willingness to openly share their time and experiences.

REFERENCES

- Alkharusi, H. (2009). Correlates of Teacher Education Students' Academic Performance in an Educational Measurement Course. *International Journal of Learning* 16: 1-15.
- Brookhart, S. M. (1998). *Teaching about grading and communicating assessment results*. Paper presented at the annual meeting of the National Council on Measurement in Education, San Diego, CA. (ERIC Document Reproduction Service No. 419838)
- Brookhart, S. M. (1999a). *The art and science of classroom assessment: The missing part of pedagogy*. Washington, D.C.: ERIC Clearinghouse on Higher Education and Office of Educational Research and Improvement.
- Brookhart, S. M. (1999b). Teaching about communicating assessment results and grading. *Educational Measurement: Issues and Practice*, 18(1), 5-13.

Green, S. K., & Johnson, R. L. (2010). *Assessment is essential*. Burr Ridge, IL: McGraw-Hill Higher Education.

Nenty, H. J., Adedoyin, O. O., Odili, J. N., & Major, T. E. (2007). Primary teachers' perceptions of classroom assessment practices as means of providing quality primary and basic education by Botswana and Nigeria. *Educational Research and Review*, 2, 74–81.

Plake, B. S., Impara, J. C., & Fager, J. J. (1993). Assessment competencies of teachers: A national survey. *Educational Measurement: Issues and Practice*, 12(4), 10-12, 39.

Stiggins, R. J. (1999). Evaluating classroom assessment training in teacher education programs. *Educational Measurement: Issues and Practice*, 18(1), 23-17.

Stiggins, R. J., & Conklin, N. F. (1992). *In teachers' hands: Investigating the practices of classroom assessment*. Albany, NY: State University of New York Press.

Zhang, Z. R., & Burry-Stock, J. A. (2003). Classroom assessment practices and teachers' self-perceived assessment skills. *Applied Measurement in Education*, 16, 323–342.

**MAS INTERNATIONAL EUROPEAN CONFERENCE ON
MATHEMATICS-ENGINEERING-NATURAL & MEDICAL SCIENCES-XII
PROMOION OF ORGANIC FARMING FOR SUSTAINABLE DEVELOPMENT
IN AGRICULTURE**

R .JALAGANDESHWARAN, DR.J.MEENAMBIGAI, M.ARAVINDHAN
**PG SCHOLAR DEPARTMENT OF AGRICULURAL EXTENSION
FACULTY OF AGRICULTURE, ANNAMALI UNIVERSITY.

Abstract

Sustainable agriculture is farming in sustainable ways ,which means meeting society's present food and textile's industries without comprimising the ability for current or future generations to meet their needs. There are many ways to increse the sutainability of agriculture .The organic farming also leads to sustainable development in agriculture. The organic farming is the practice using sustainable methods to cultivate crops and it avoids chemical inputs that do not belong to the natural ecosystem. Organic agriculture can contibute to meaningful socioeconomic and ecologically sustainable development,especially in deveoping countries.This is due to the application of organic principles, which advocates the application of local resources.viz.,indigenous see varities, manures,etc.and therefore cost effectiveness. At present organic farming is practised in 179 countries at about 50.9 million hectares of agricuktural land.In recent times the government of India has very actively supported the cause of organic farming movements in the country.It has opened new research and development centres and also launched several schemes for the popularization of organic farming.The Government of India is promoting organic farming through different schemes or programme such as, National Mision for sustainable Agriculture (NMSA), Paramparagat Krishi Vikas Yojana (PKVY), Rashtriya Krishi Vikas Yojana (RKVY) etc.Thus, the use of organic with local resources leads effective farming and the sustaibale agriculture can be more effectively obtained.

Keywords: Organic Farming, Sustainable Development, Agriculture

**AN EFFICIENT TUMOR DETECTION AND 3D MODELING BASED ON
ORGANISATION MAP**

Dr. A. SARANYA

Madurai Kamaraj University

Abstract

In the present days, Brain Tumor is the thorniest disorder and it instigates the abnormal enlargement of unrestrained growth of cells in the brain. The diagnosis, identification and classification of brain tumor is an ominous issue in the field of medical imaging, because it is essential for the early tumor diagnosing and treatment of brain tumors and other neurological complaints. At the same time these are the tedious and time-consuming tasks performed by radiologists or clinical experts, and their accuracy depends solely on their experience. So, it becomes very necessary to use computer-aided technology to overcome these limitations. Also, 2D image data cannot give the actual visualization of the patient's brain. The doctors were detoured from the exact location of medical diagnosis which caused serious problems. Earlier segmentation methods require huge number of iterations, longer time and a reduced accuracy. Hence, the proposed research work has designed a multi-stage strategy whereby tumor segmentation method Self organization Based Segmentation (SOBS) and classification can be accurately performed with lower error rate. And the 2D MRI image has to be converted to a 3D image to visualize the brain properly.

Keywords: Tumor Detection , 3D Modeling, Organisation Map

**MAS INTERNATIONAL EUROPEAN CONFERENCE ON
MATHEMATICS-ENGINEERING-NATURAL & MEDICAL SCIENCES-XII
AGRIPRENEURSHIP - A WAY TO ERADICATE UNEMPLOYMENT AMONG
RURAL YOUTH**

**M.ARAVINDHAN, SINDHUJA.R, JALAGANDESHWARAN.R
Annamalai University**

Abstract

Agriculture is the primary sector and backbone of our country. In India about 563 million people are engaged in agriculture. The share of agriculture in total value added to the economy is around 25%. Agriculture work force has a share of about 70% percent in the total work force of the country. Now a day's unemployment is found to be a major problem in our country. About 7.61% of unemployment increased in rural areas and which is similar as it was before 45 years. It leads to the reduction of farming activities among rural youth. Encouraging rural youth to participate in Agriculture and allied activities leads to increase in the employment opportunities among rural areas through agriculture and food production activities, logistics and distribution, trading, processing and storage facilities to rural youth. The Government of India has implemented AgriClinics and Agribusiness Centers (ACABC), ARYA(Attracting and Retaining Youth in Agriculture), AGRI STARTUP programmes etc., to provide necessary skills, guidelines and loans to start Agrienterprises. Agriprenurship develops the employment opportunities and increases the socio economic status in rural areas. Agriprenurship increases the demand of value added products and it contributes to increase in GDP of our country and also reduces rural poverty in India.

Keywords: Agriprenurship, Eradicate, Unemployment, Rural Youth

**MAS INTERNATIONAL EUROPEAN CONFERENCE ON
MATHEMATICS-ENGINEERING-NATURAL & MEDICAL SCIENCES-XII
DIMENSIONS OF RELATIONSHIP MARKETING IN CONTEXT OF MOBILE
TELECOM INDUSTRY IN INDIA –A STUDY OF JAMMU & KASHMIR**

Rafiq Lone

Assistant Professor, Islamia College of Science & Commerce (J&K) & Research
Scholar, Kashmir University (India)

Abstract

Relationship marketing is one of the most rapidly discussed concepts in modern services marketing arena. With the advances in technology CRM and relationships in B2B settings also have gained importance. Various parameters have been employed by researchers to arrive at the antecedents and indicators of relationship marketing. The paper makes a thorough review of literature to presents the dimensions already expressed. Theron and Terblanche (2010) used AHP (Analytic Hierarchical Process) method to make out ten dimensions out of a pool of twenty three dimensions previously categorized by the scholars who worked on similar topics; the study though was conducted in financial services perspective.

From the primary data, collected though a structured questionnaire and subjected to analysis, the paper aims to identify these dimensions in connection with telecom service industry in the state of Jammu and Kashmir. Trust, Commitment, Communication and Customer centricity were identified as the main dimensions. These four have also been identified in various other studies conducted elsewhere in the services sector.

Keywords: Relationship marketing, Telecom service sector.

Methodology

Data has been collected by means of a structured questionnaire administered to 524 respondents, who where consumers of telecom service. It is therefore in business to customer milieu. Reliability of the questionnaire has been checked using Cron Bac's Alpha. Responses codified and subjected to factor analysis.

Objective: To identify dimensions of relationship marketing in context of mobile telecom industry in the state of J&K.

Introduction

Gronroos (1990) defines relationship marketing as to establish, maintain and enhance relationships with customers and other partners, at a profit, so that the objectives of the parties involved are met. This is achieved by a mutual exchange and fulfillment of promises. Berry and Parasuramen (1992) defined it in a service perspective as attracting developing and retaining customer relationships. Jackson (1985) in the context of industrial markets defined it as marketing concentrated towards strong lasting relationships with individual accounts. This definition by mention of individual accounts does not confine it only to consumers or any other particular stake holder.

Paradigm shift in marketing; Traditional marketing vs Relationship Marketing.

Christopher et al (1999) described the problem of Traditional marketing as it assumes customers to be similar and passive. RM focuses on the economics of customer retention and highlights the role of internal marketing in achieving external marketing success. Transactional marketing focuses on volume, product features, short time scale, moderate customer contact

and primary concern for product quality while as Relationship marketing focuses on customer value, long term associations, high customer contact and concern with relationship quality. One of the fundamental principles of RM is maximizing of Customer Lifetime Value (CLV), longer the association with the customer higher is the expected CLV. To acquire a new customer is more expensive than to retain an existing one. Satisfied and loyal customers are more likely to refer more customers thereby making the job of the competition very difficult. Modern marketing strategists therefore link the role of RM to competitive marketing strategy. For the choice of relationship strategy, Treacy and Wierseman identified three generic strategies; Operational excellence for providing customers with reliable products or services at competitive prices and minimal inconvenience. Product leadership for providing products that continually redefine state of art. Customer intimacy, aimed at selling a customer a solution, not just a product or service.

Modern Indian telecom industry

The Indian mobile telecom industry has seen a sea change in past few years. Prior to 2015 there were seven main players in the market namely BSNL, Airtel, Aircel, Vodafone, Idea, RIM and Tata Indicom. The commencement of mobile telephony by Jio changed the market share game altogether. Aircel, RIM, Tata Indicom etc have stopped operations. Vodafone and Idea are looking for a merger.

Mobile telephony was introduced in the state of J&K in 2006 before which there as monopoly of BSNL landline service. After the launch of Jio, there is a fierce competition among the competitors to retain customers. Companies therefore employ various relationship marketing strategies to ensure retention. Various studies have shown a positive effect of relationship marketing on customer retention across service sectors.

Review of Literature

In this paper an attempt has been made to present the literature review in Global, Asian, Indian and lastly, the state context.

Global context

Gummesson (1994) stated that RM emphasizes a long-term interactive relationship between the provider and the customer, as well as long-term profitability. Morgan and Hunt (1994) studied internal marketing and proposed the following: "Relationship marketing refers to all marketing activities directed toward establishing, developing, and maintaining successful relational exchanges."

Ercis and Rasouli (2013) investigated the relationship thee foundations of relationship marketing, including Trust, communications, commitment, competence and conflict handling have with customer satisfaction and relationship quality to bank services. Data was collected from 384 customers commercial banks.

Koi-Akrofi, Koi-Akrofi and Welbeck (2013) adopted four relationship marketing tactics (service quality, price perception, brand image and value offered) typical of a service industry and examined their impact on customer loyalty in the Ghanaian mobile industry. A self-completion questionnaire with a total of 40 closed questions was developed to gather field data. Results revealed a positive significant relationship between each of the four relationship marketing tactics (namely service quality, price, value offered and brand image) and customer loyalty. The study provided an insight and significant feedback from mobile phone users to the

telecommunication operators. As the competitive environment increasingly becomes fierce, the voice and preferences of the customers are also becoming the priority.

Asian context

Gafoor and Iqbal (2014) assessed the role of relationship marketing strategies like service quality, price perception, brand image and value offers in winning customers' loyalty in the mobile Phone industry in Pakistan. The results showed positive significant correlation among the variables.

Velnampy and Sivesan (2012) through exploratory factor analysis studied the determinants of Customer Relationship Marketing of mobile service providers in Sri Lanka. One hundred and seven respondents completed the questionnaire. Trust, Commitment Communication, Promise, Cooperation, Power, Empathy, Rapport, Duration of relationship, Accuracy emerged as extraction communalities. These variables were clubbed into three factor extracts or groups which are Trust (includes trust, power, cooperation, promise and communication), Rapport (includes factors such as rapport, empathy, and durations of relationship) and Accuracy (include two factors such as completeness and relevant). These three were found to be importance dimensions underlying customer relationship marketing in mobile service providing companies.

Rahman and Masoom (2012) in a case study on Grameen phone Ltd evaluated whether relationship Marketing creates competitive advantage and retain customers for businesses. In order to evaluate RM practices in Grameen Phone (GP), two hundred and sixty five respondents were surveyed. Out of these, fifteen were GP employees who were responsible for marketing and other departments, fifty retailers selling mobile phones and providing related services, 200 general customers, mostly youth population using Grameen Phone mobile service. Findings show three perspectives that is of employee, customer and distributor. As per the employees perspective, downsizing, job security, abrupt changes in hierarchy were found to be matter of concern. The employees agreed that relationship marketing is in practice but it is more aligned towards customers only and there by hinting that it is actually CRM in practice. Being the first in Bangladesh to offer prepaid services and having reliable network has helped the company to achieve a fair amount of loyalty among consumers. The creation of the post of customer manager has been appreciated by half of the respondents. However, according to customer perspective relationship marketing efforts of the company are not up to the mark. Although a little less than half of the respondents still wish to continue with the service provider throughout their life time. Customers also showed discomfort where the operator offers lucrative benefits to attract new customers only rather than for retaining old ones. The authors observe that in comparison to other operators, the distributors may be satisfied with the company but still have discrepancies like not having a clear communication with the company staff which may even force some of them to think of switching.

Indian context

Gaurav (2016) identified the constructs of relationship marketing and empirically investigated the impact of Relationship Marketing on Customer Loyalty in Indian Automobile Industry. Four independent set of underlying factors associated with relationship marketing viz.

**MAS INTERNATIONAL EUROPEAN CONFERENCE ON
MATHEMATICS-ENGINEERING-NATURAL & MEDICAL SCIENCES-XII**

Customer Centricity, Commitment, Trust and Communication were extracted with the help of Exploratory Factor Analysis. These constructs were found to be very significant in determining the strength of marketing relationship. Multiple regression analysis has clearly revealed that all the four constructs of relationship marketing viz. Customer Centricity, Commitment, Trust and Communication contribute significantly to customer loyalty and predict substantial percentage of the variation in customer loyalty.

Prahalathan, Umakanth, Dineshkumar (2016) discussed the impact of relationship marketing on customer retention in banking sector. They measured relationship marketing through the indicators such as trust, bonding, reciprocity, empathy and responsiveness. Findings revealed that there is strong correlation between relationship marketing and customer retention. Regression analysis revealed that responsiveness dimension in the relationship marketing contributes significantly to customer retention. Relationship marketing contributes significantly to customer retention.

J&K state context

Suhail and Darzi (2016) while analyzing the role of employee perception towards customer relationship management practices studies trust and commitment as factors. This research work is particularly significant in a way being from the state of Jammu and Kashmir and that too in service sector. The study touches almost all well known variables of the relevant field. The study construes a positive relationship between relationships building and its impact on customer retention and has a implication for practicing managers.

Analysis and interpretation

Case Processing Summary

		N	%
Cases	Valid	510	100.0
	Excluded ^a	0	.0
	Total	510	100.0

Reliability Statistics

Cronbach's Alpha	N of Items
.873	30

KMO and Bartlett's Test

Kaiser-Meyer-Olkin Measure of Sampling Adequacy.		.958
Bartlett's Test of Sphericity	Approx. Chi-Square	8409.887
	Df	465
	Sig.	.000

**MAS INTERNATIONAL EUROPEAN CONFERENCE ON
MATHEMATICS-ENGINEERING-NATURAL & MEDICAL SCIENCES-XII**

Rotated Component Matrix ^a				
	Component			
	1	2	3	4
VAR00021	.730			
VAR00022	.668			
VAR00027	.629	.309		
VAR00016	.582	.410		
VAR00019	.567	.470		
VAR00017	.540	.330		.301
VAR00028	.532	.446		
VAR00025	.532		.306	
VAR00018	.530	.415		
VAR00024	.469			
VAR00029	.311	.577	.382	
VAR00009		.569		.427
VAR00011		.559	.358	
VAR00031	.305	.547		
VAR00020	.326	.497		
VAR00010		.495	.369	.309
VAR00030	.402	.462		
VAR00026	.405	.445		
VAR00001			.758	
VAR00002			.754	
VAR00004			.730	
VAR00003			.642	
VAR00013		.454	.520	
VAR00012		.362	.477	.365
VAR00007				.737
VAR00006	.350			.642
VAR00005	.380		.364	.613
VAR00015	.300	.356		.540
VAR00008		.355	.440	.463
VAR00014		.304		.428
VAR00023		.043		

Conclusion

Trust, Commitment, Communication and Customer centricity were identified as the main dimensions. The sentences provided next to the dimensions are the statements actually asked in the questionnaire.

Customer centricity covers the manifest variables like friendliness, integrity, compliant handling etc. communication covers feedback, goodwill and use of information technology. Reliability, punctuality and accuracy are covered under the broader category of Trust. Commitment includes confidence, professionalism and problem solving.

Limitations

Though, to some extent, the findings can be generalized in case of service sector, when it comes to these four dimensions, as has been evident from earlier studies; certain other factors can seem to play a role in case of other services like banking, hospitality or insurance. Moreover from B2B standpoint, the number of factors may increase. This provides for the scope of further research in the field.

References

Bhat, S., Darzi, M. (2016). Determining the role of employee perception towards CRM practices and customer retention. *Pacific Business Review International*, 1(3).

Chistopher, M., Payne, A. & David, B. (2002). Relationship Marketing: Creating stakeholder value. Woburn MA: Butterworth Heinemann

Ercis A, Rasouli R (2013). Influence of relationship marketing on customer satisfaction and relationship quality: The case study. *Journal of American Science*, 9(5).

Gaurav, K. (2016). Impact of Relationship Marketing on Customer Loyalty: Evidence from Indian Automobile Industry. *Purushartha*, X(1), 1-17.

Ghafoor, A., Iqbal., (2014) Role of relationship marketing in building customers loyalty: a case study of mobile telecom industry in southern Punjab Pakistan. *British Journal of marketing strategies*, 2(7), 60-79

Gronroos, C. (1990) Relationship approach to marketing in service context; the marketing and organizational behavior interface. *Journal of Business Research*, 20 (1), 3-11

Gummesson, E., (1990) Making relationship marketing operational. *International Journal of Service Industry management*, 5 (5), 5-20

Koi-Akrofi, G.Y., Koi-Akrofi, J., Welbeck, N.O. (2013) Relationship marketing tactics and customer loyalty; a case of mobile telecommunication industry in Ghana. *Asian Journal of Business Management*, 5(1) 77-92

Naumann, E. & Kordupleski, R. (1995). Customer Value Toolkit, 1st edition. South Western College publishing

Prahalathan, B., Umakanth, N., Dinesh Kumar, D (2016) Relationship marketing and customer retention: an investigation in banking sector, Sri Lankan context. *International Journal in IT and management*, 6(6), 6 -15

Rahman, Masoom (2012). Effects of relationship marketing on customer retention and competitive advantage: A study of Grameen phone ltd. *Asian Business Review*. 1 (1)

Theron, E. & Terblanche, N. (2010). Dimensions of relationship in Business-to-business financial services. *International Journal of Marketing Research*, 52(3), 373-392.

Tracy, G. H., Garry, T., & Broderick, A. J., (2008). Relationship Marketing: Perspectives, Dimensions and Context. London: McGraw Hill.

Velampy, T., & Sivesan, S. (2012). CRM and Customer satisfaction: A study on mobile service providing companies in Sri Lanka. *Global Journal of management and Business Research*, 12(18)

**MAS INTERNATIONAL EUROPEAN CONFERENCE ON
MATHEMATICS-ENGINEERING-NATURAL & MEDICAL SCIENCES-XII
ETHNO-MEDICINAL PLANTS USED BY BAKERWAL TRIBE IN THE SIWALIK
HILLS OF RAMKOTE, JAMMU AND KASHMIR, INDIA**

***¹Sanjeev Kumar Gupta, ¹Yash Paul, ¹Sushmita Thakur and ²Kewal Kumar**

**¹Department of Botany, Govt. Degree College Billawar, Jammu and Kashmir, India-
184204: E-mail- sanjeevbotany@gmail.com*

*²Department of Botany, Govt. College for Women Udhampur, Jammu and Kashmir,
India- 182101*

Abstract

The Siwalik Hills of western Himalayas abound in a rich floral diversity both in number and kind of species owing to the moderate sub-tropical type of climate prevailing in these hills. Numerous known or unknown plants play important roles in the lives of people and in a way to the economy of the nation. The aim of study is to explore the medicinal plant wealth of the Siwalik Hills and their utilization by the inhabitants particularly to cure the day to day human ailments. Through this comprehensive exploratory research work an attempt is made to bring to light some ethno-medicinal plants used by the nomadic tribe of bakerwal in Ramkote tehsil of district Kathua of Jammu and Kashmir Union Territory in India. The research study has been carried out through field explorations and sampling in consultation with nomadic practitioners and elderly tribesmen. It has resulted in the documentation of 85 medicinal plant species belonging to 31 families of angiosperms. The plant species are used in different formulations and different parts of plants are used differently. Species like *Ajuga integrifolia* Buch.-Ham are considered indispensable in curing chronic and serious skin ailment popularly known in the region as *kalpatra*. The overexploitation of *Zanthoxylum armatum* DC. has lead to its rarity with the result it requires an awareness of conservation and judicious use by the tribesmen.

Keywords: floral diversity, tribesmen, overexploitation, conservation.

**LOSSES CAUSED BY STORAGE AND OTHER ECONOMIC PESTS IN
WAREHOUSES**

Arunkumar S^{1*}, Arunkumar R² and A. Aravindh³

¹M.Sc.(Ag.) Seed Science and Technology, Faculty of Agriculture, Annamalai
University, India.

²M.Sc.(Ag.) Agricultural Extension, Faculty of Agriculture, Annamalai University,
India.

³M.Sc.(Ag.) Agricultural Microbiology, Faculty of Agriculture, Annamalai University,
India.

Abstract

Seed is a matured ovule comprises embryo which is a future embryonic plant, endosperm which gives food to the developing embryo and protective coat to protect the seed from external damages and furthermore some creatures utilises the seed as a food. Examinations mostly on cereals during the warehouse storage. A warehouse is a huge structured building where raw materials or manufactured goods are stored until until they are sent out to different nations or circulated to shops to be sold. However, every agricultural products are stored for a while before utilization, and they can also be attacked by insects and moulds in warehouse storage. Stored-product insects most frequently found were *Blattella germanica* (L.), *Periplaneta Americana* (L.). In stored cereals there are many arthropod pests are relatively abundant outdoors, but natural host plants before preadaptation to stored products remain unknown. Adults and larvae moves through seams and overlaps or bite into sealed packages and then multiply, reduces the product quality and amount. The temperature and relative humidity were marginally higher and the warehouse was more seasoned and had open windows, factors that may have added to the higher insect infestations. There was a normal correlation between the normal air temperature at the weather station and the insects found in botanicals in the warehouses. Infestations may spread within a manufacturing facility through electrical conductor and control boards. The insect population development, accuracy of the loss measurements life-accounts of insects and losses caused by insect invasion during storage in warehouse are discussed.

Keywords: *Periplaneta Americana*, Stored pests, Cereals, Seed and Warehouses